

TCCXQ016-G

Telecentric assembly with coaxial illumination for 2/3" detectors, magnification 0.16x, green

SPECIFICATIONS

Optical specifications

Magnification	(x)	0.157
Image circle Ø	(mm)	11
Object distance	(mm)	50.7

Object field of view

with 1/3" detector (4.8 x 3.6 mm)	(mm x mm)	30.6 x 22.9
with 1/2" detector (6.4 x 4.8 mm)	(mm x mm)	40.8 x 30.6
with 1/1.8" detector (7.13 x 5.37 mm)	(mm x mm)	45.4 x 34.2
with 2/3" - 5 MP detector (8.45 x 7.07 mm)	(mm x mm)	53.8 x 45.0

Electrical specifications

Light color, peak wavelength	green, 520 nm	
------------------------------	---------------	--

Device power ratings

DC voltage (min)	(V)	12
DC voltage (max)	(V)	24
Power consumption	(W)	< 2.5
Max LED fwd current 1	(mA)	350

LED power ratings

Forward voltage (typical) 2	(V)	3.3
Forward voltage (max) 2	(V)	4.00
Max pulse current 3	(mA)	2000

Dimensions

Mount	C	
Length	(mm)	319.2
Height	(mm)	108
Width	(mm)	336.7
Mass	(g)	675

Eye safety

Risk group according to CEI EN 62471:2010	Risk group 1
---	--------------

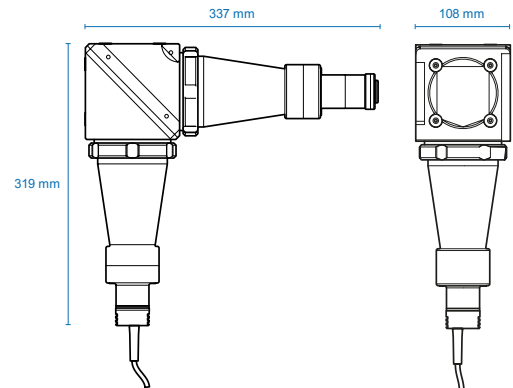
NOTES

- Used in continuous (not pulsed) mode.
- At max forward current. Tolerance is ±0.06V on forward voltage measurements.
- At pulse width ≤ 10 ms, duty cycle ≤ 10% condition. Built-in electronics board must be bypassed (see tech info).

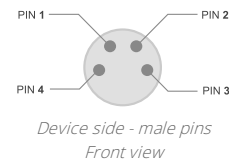
COMPATIBLE PRODUCTS



CMHO056	Clamping mechanics for TCx056 lenses and LTCLHP056-X illuminators
---------	---



CONNECTION



Pinout reference

PIN	FUNCTION
1	Earth
2	GND
3	LED Anode
4	Power supply (+12+24 V)

