

LTRN144GR

Ring LED illuminator, inner diameter 200 mm, straight type, green 525 nm

SPECIFICATIONS

Optical specifications

Light color, peak wavelength		green
Optimal working distance	(mm)	450-580
Illuminance at minimum working distance	(lux)	1050
Illuminance at maximum working distance	(lux)	739

Lighting area diameter

Outer	(mm)	276
Inner	(mm)	204

Electrical specifications

Number of LED rows		1
--------------------	--	---

Continuous mode 1

Supply voltage	(V)	24
Current	(mA)	1118
Power consumption	W	26.832

Pulsed mode

Supply voltage 2	(V)	24-48
Max pulse current 3	(mA)	2000
Max. trigger pulse duration	(ms)	10
Duty cycle	(%)	0-10%

Mechanical specifications

Outer diameter	(mm)	290
Inner diameter	(mm)	200
Height	(mm)	40
Mass	(g)	1310
Cooling method	Attached to machine part for better heat dissipation	



Compatibility

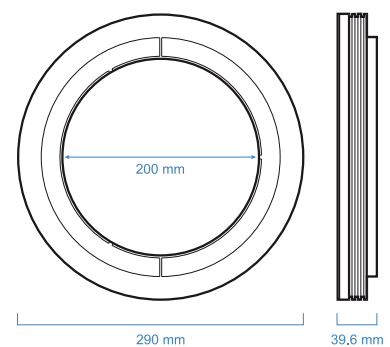
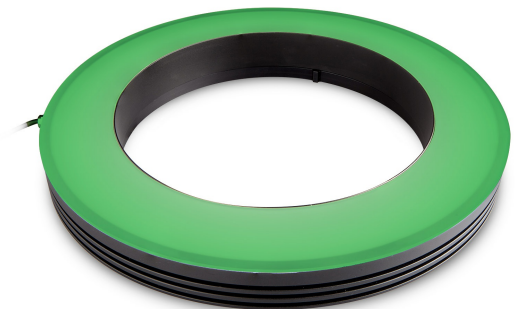
Compatible products	TCxx144, TC23130, TCxMHR144-x, TC16M144-x, TC12K144
---------------------	-----------------------------------------------------

NOTES

1. Lifespan: 20.000 hours (drop to 50% intensity) at 25 °C.
2. Recommended at 36 V.
3. With constant driving current.

COMPATIBLE PRODUCTS

	TC series Bi-telecentric lenses for matrix detectors up to 2/3"
TC23130	Bi-telecentric lens for 2/3" detectors, magnification 0.068 x, C-mount
TC12144	Bi-telecentric lens for 1/2" detectors, magnification 0.044 x, C-mount
TC23144	Bi-telecentric lens for 2/3" detectors, magnification 0.061 x, C-mount
	TC2MHR and TC4MHR series High resolution telecentric lenses for large detectors up to 1.2"
TC2MHR144-C	High resolution telecentric lens for 1" detectors, magnification 0.089x, C-mount
TC2MHR144-F	High resolution telecentric lens for 1" detectors, magnification 0.089x, F-mount



TC2MHR144-E High resolution telecentric lens for 1" detectors, magnification 0.089x, mount M42X1
FD=16

TC4MHR144-C High resolution telecentric lens for 1.2" detectors, magnification 0.122x, C-mount

TC4MHR144-F High resolution telecentric lens for 1.2" detectors, magnification 0.122x, F-mount

TC4MHR144-E High resolution telecentric lens for 1.2" detectors, magnification 0.122x, mount M42X1
FD=16



TC16M series
Telecentric lenses for 35 mm and 4k/8k linescan cameras

TC16M144 Telecentric lens for 35 mm detectors, magnification 0.245 x, F-mount

TC16M144-Q Telecentric lens for 35 mm detectors, magnification 0.245 x, mount M58x0.75 FD = 6.56



TC12K series
Telecentric lenses for 12k and 16kpx line scan cameras

TC12K144 Telecentric lens for 12k and 16k linescan cameras, magnification 0.439 x, M72 x 0.75 mount



TCDP series
Double port bi-telecentric lens for detector up to 2/3"

TCDP2X144 Double magnification bi-telecentric lens, for detectors up to 2/3"

TCDP4X144 Double magnification bi-telecentric lens, for detectors up to 2/3"

Electronics and cables
Power supplies, power and interface cables

PS1CH24VDIN Power supply 1 channel 24 V DIN guide
