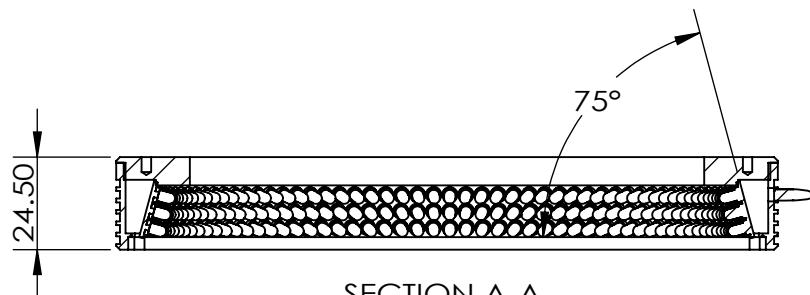
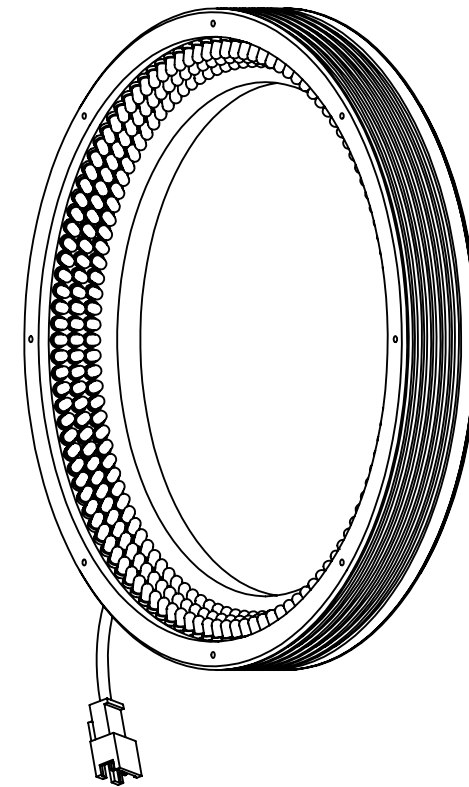
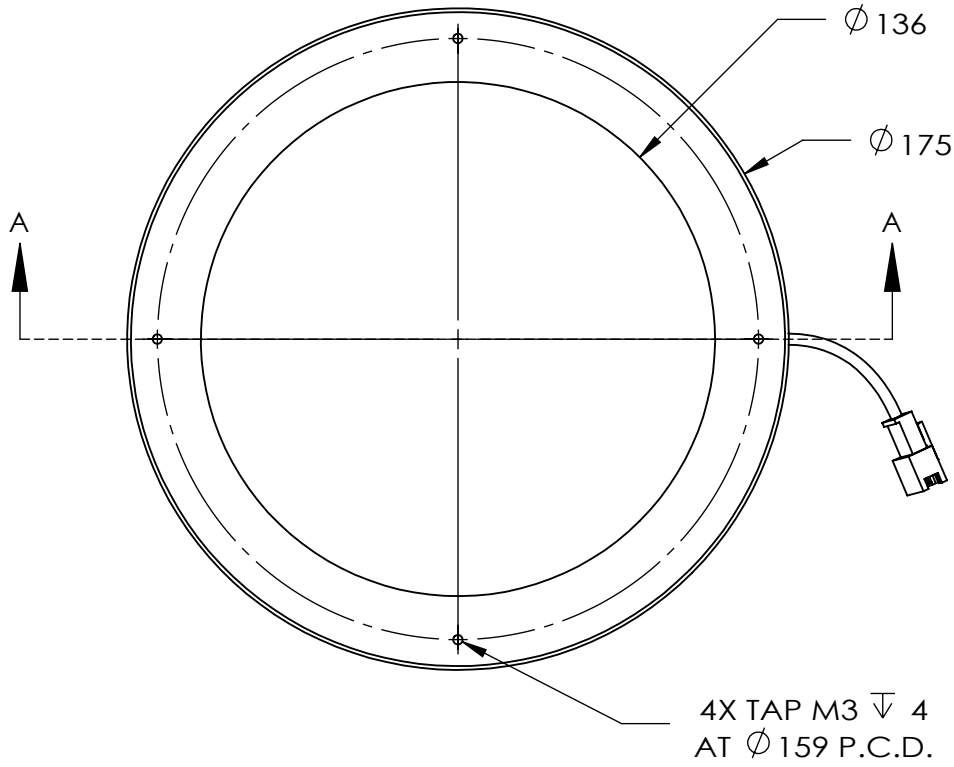


REVISIONS				
ZONE	REV.	DESCRIPTIONS	DATE	APP.



SECTION A-A
SCALE 1 : 2

COLOR	WAVE LENGHT
RED:	630nm
GREEN:	525nm
BLUE:	470nm
WHITE:	--
IR 850:	850nm
IR 940:	940nm
UV:	375nm
RGB:	620nm/525nm/470nm

DESIGN BY	ST NG	UNIT: MM	PRODUCT SERIES: LLA SERIES				
CHECK BY	ST NG						
DATE	9/3/2015	REVISION: 01	TITLE	DRAWING LAYOUT	COLOUR:	-	-
MATERIAL	-	SCALE: 1 : 2	PART NO	LLA-75-170-3-X-24V	VOLTAGE:	-	-
FINISHING	-		DWG NO	-	CURRENT:	-	-
QTY	-				POWER:	-	-
							SHEET 1 OF 1

