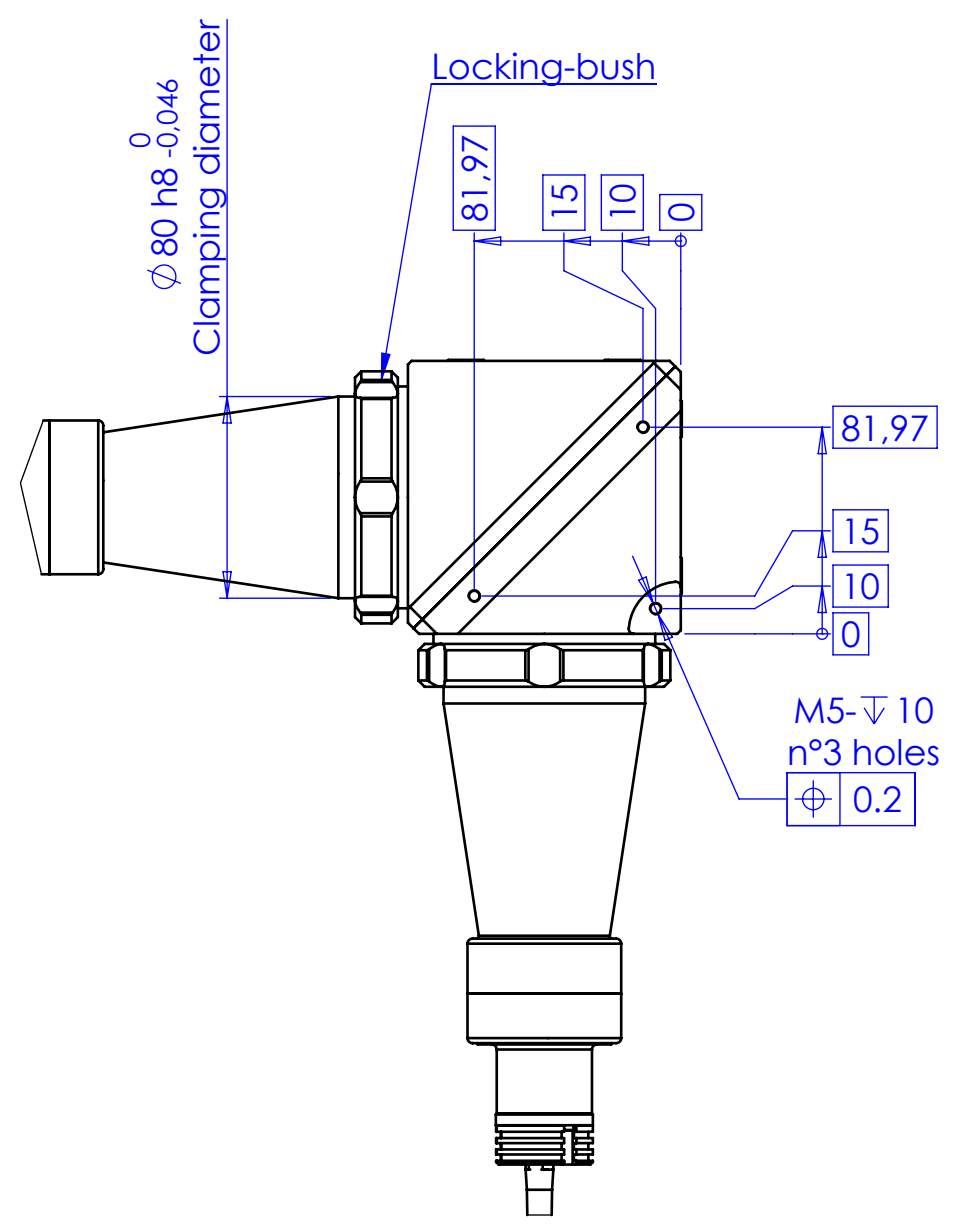
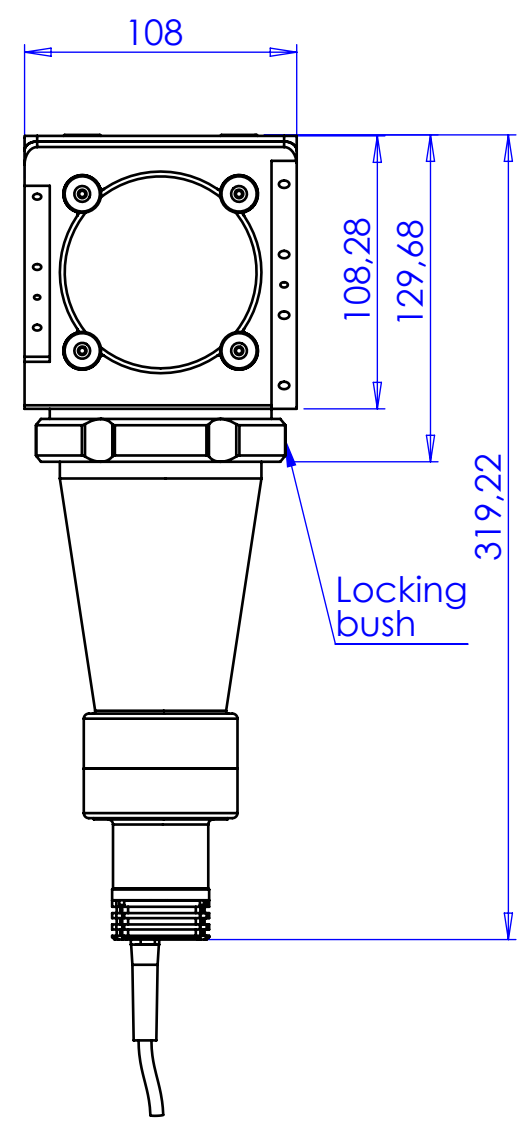
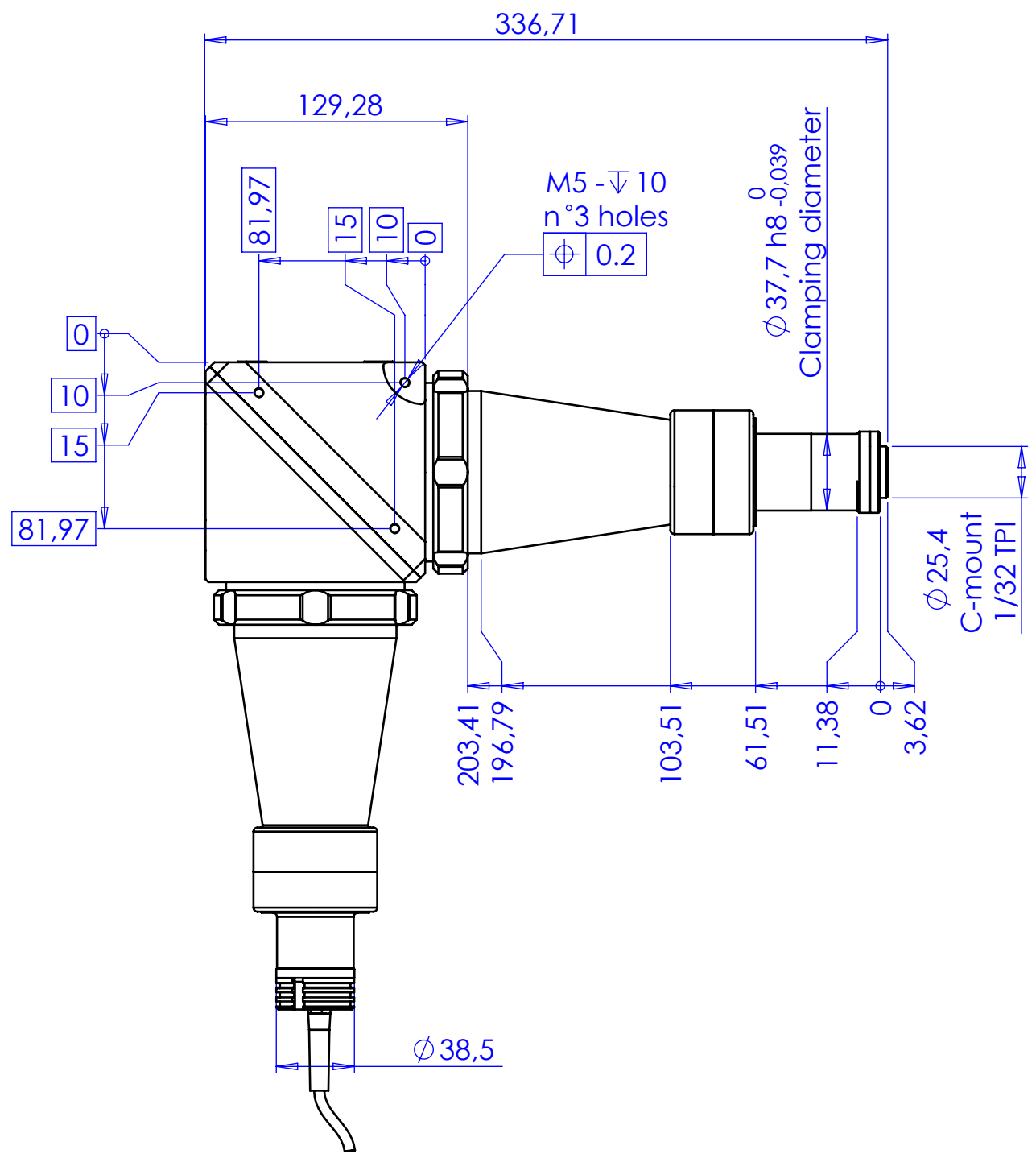


Rev No.	Description	Date	Name
B	approvazione	15/07/2014	Rodella



Material	N.A.		Mass	675 g	Scale	1:3	
Surface treatment	N.A.		Part No.	CO71659			
Geometrical tolerance (ISO 2768-2)			Class	K	Undimensioned bevels		
Linear tolerance (ISO 2768-2)			Class	m	0,5x45°		
0,5	>3	>6	>30	>120	>400	>1000	
±3	±6	±30	±120	±400	±1000	±2000	
±0,1	±0,1	±0,2	±0,3	±0,5	±0,8	±1,2	
			Class	m	Undimensioned radii		
					R 0,5		
 <b>OPTO ENGINEERING</b> <small>THE TELECENTRIC COMPANY</small>			Date	Name		Drawing No.	
			Designed	03/07/2014	Rodella		DP 71659-B
			Drawn	04/07/2014	Rodella		
all dimensions are in mm <b>OPTO ENGINEERING S.r.l. - Mantova Italy - Tel. +39 0376 699111 - www.opto-engineering.com</b>			Checked			Sheet	
					1/1		
Secret and confidential - All rights reserved - No copy, dissemination or circulation is allowed unless specifically authorized in writing by OPTO ENGINEERING S.r.l. - Any violation shall be legally prosecuted.							