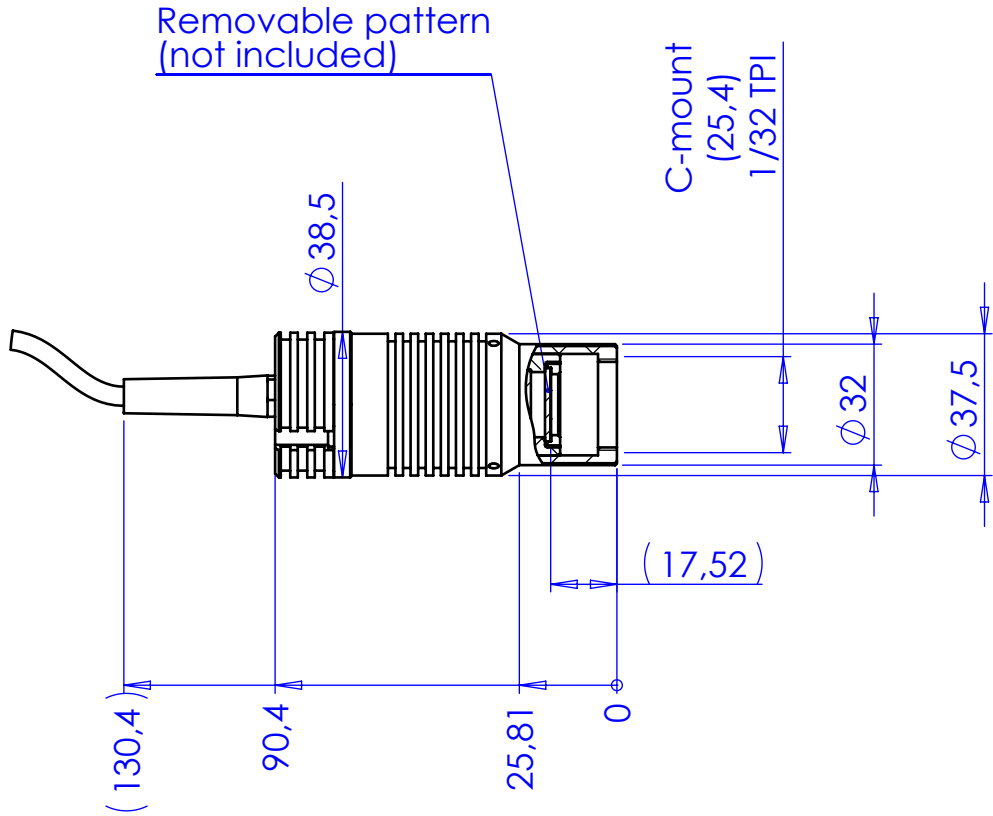


1		2		3		4	
Rev No.	Description			Date	Name		



Material		N.A.			Mass	119 g	Scale	1:2	
Surface treatment		N.A.			Part No.	CO71577			
all dimensions are in mm	Geometrical tolerance (ISO 2768-2)			Class	K	Undimensioned bevels	Description		
	Linear tolerance (ISO 2768-2)			Class	m				0.5x45°
	0.5	>3÷	>6÷	>30÷	>120	>400÷	>1000	>2000	Undimensioned radii
	±3	6	30	120	÷400	1000	±2000	±4000	
±0.1	±0.1	±0.2	±0.3	±0.5	±0.8	±1.2	±2	R 0.5	
 OPTO ENGINEERING <small>THE TELECENTRIC COMPANY</small>				Date	Name		Drawing No.		
		Designed	10/07/2014	Santini		DP 71577-A		Sheet	
		Drawn	10/07/2014	Rodella					
		Checked				1/1			
OPTO ENGINEERING S.r.l. - Mantova Italy - Tel. +39 0376 699111 - www.opto-engineering.com									
<i>Secret and confidential - All rights reserved - No copy, dissemination or circulation is allowed unless specifically authorized in writing by OPTO ENGINEERING S.r.l. - Any violation shall be legally prosecuted.</i>									