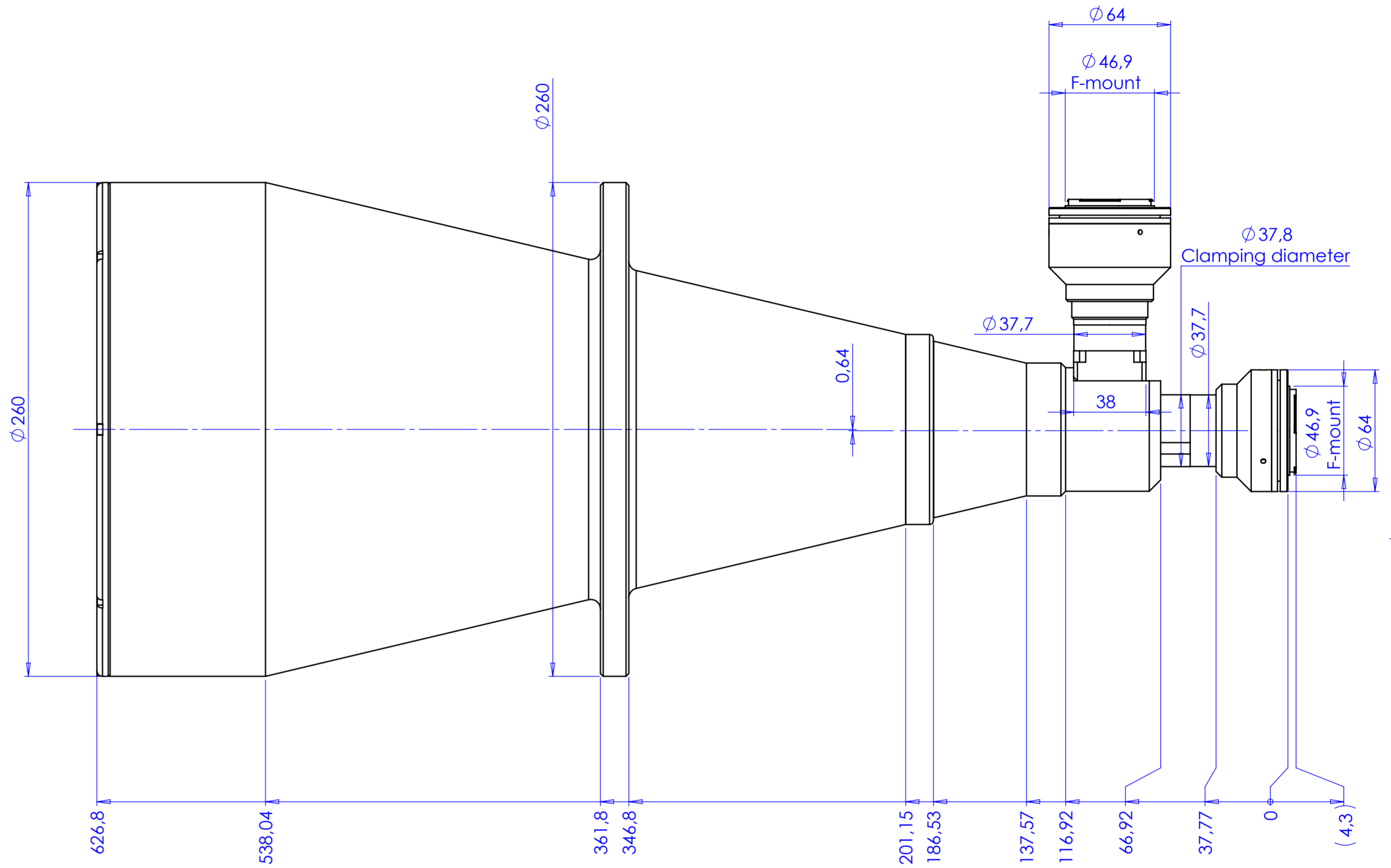
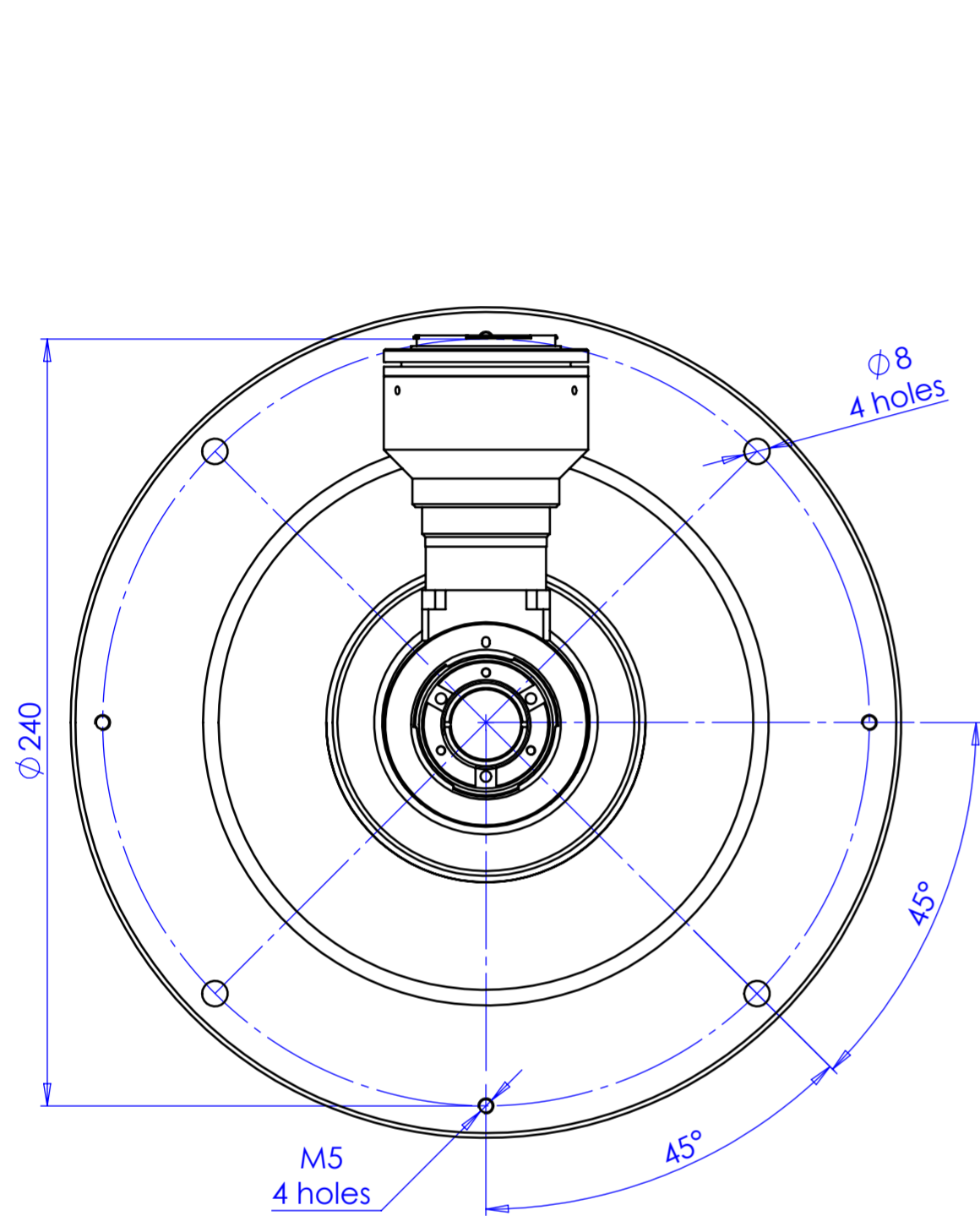


Rev No.	Description	Date	Name



Material	N.A.	Mass	10691 g	Scale	1:2
Surface treatment	N.A.	Part No.	CO24460		
Geometrical tolerance (ISO 2768-2)		Class	K	Undimensioned bevels	0.5x45°
Linear tolerance (ISO 2768-2)		Class	m	Undimensioned radii	R 0.5
0.5	>3+	>6+	>30+	>120	>400+
+3	6	30	120	+400	+1000
±0.1	±0.1	±0.2	±0.3	±0.5	±0.8
					±1.2
					±2
		Date	Name	Description	
		Designed	26/03/2015	TCDP2MF4MF192	
		Drawn	29/09/2015	Drawing No.	
		Checked		DP 24460-A	
				Sheet	1/1

OPTO ENGINEERING S.r.l. - Mantova Italy - Tel. +39 0376 699111 - www.opto-engineering.com

Secret and confidential - All rights reserved - No copy, dissemination or circulation is allowed unless specifically authorized in writing by OPTO ENGINEERING S.r.l. - Any violation shall be legally prosecuted.