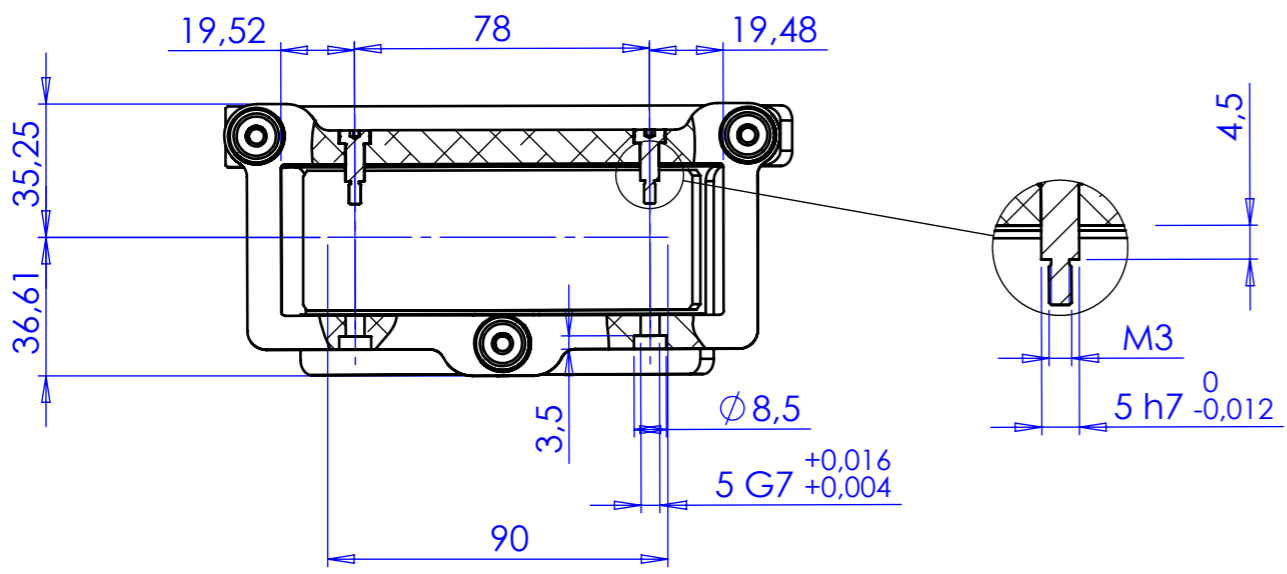
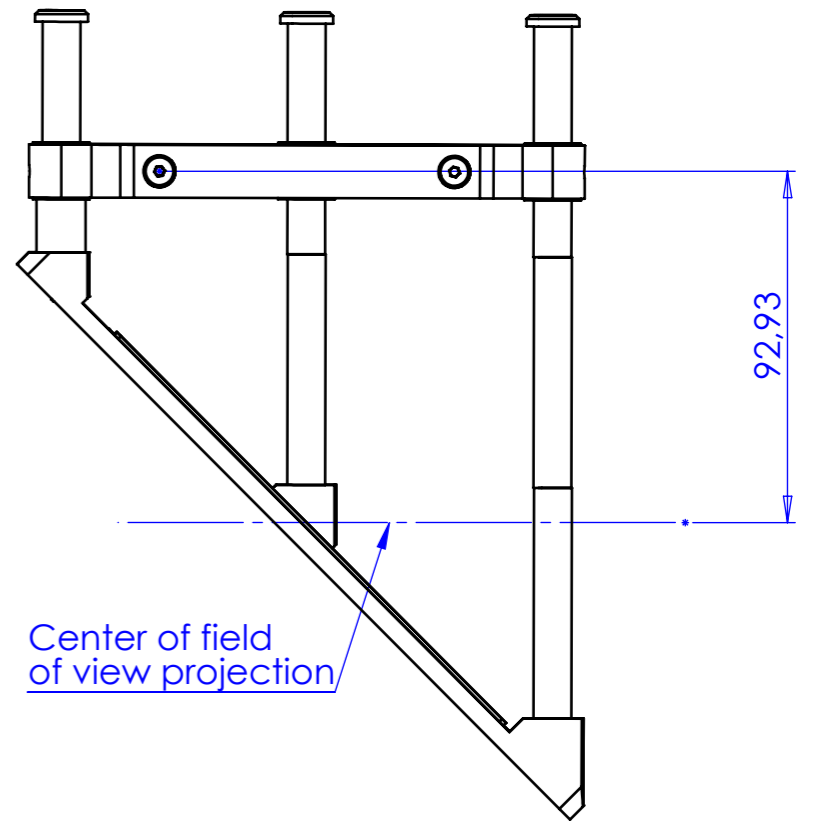
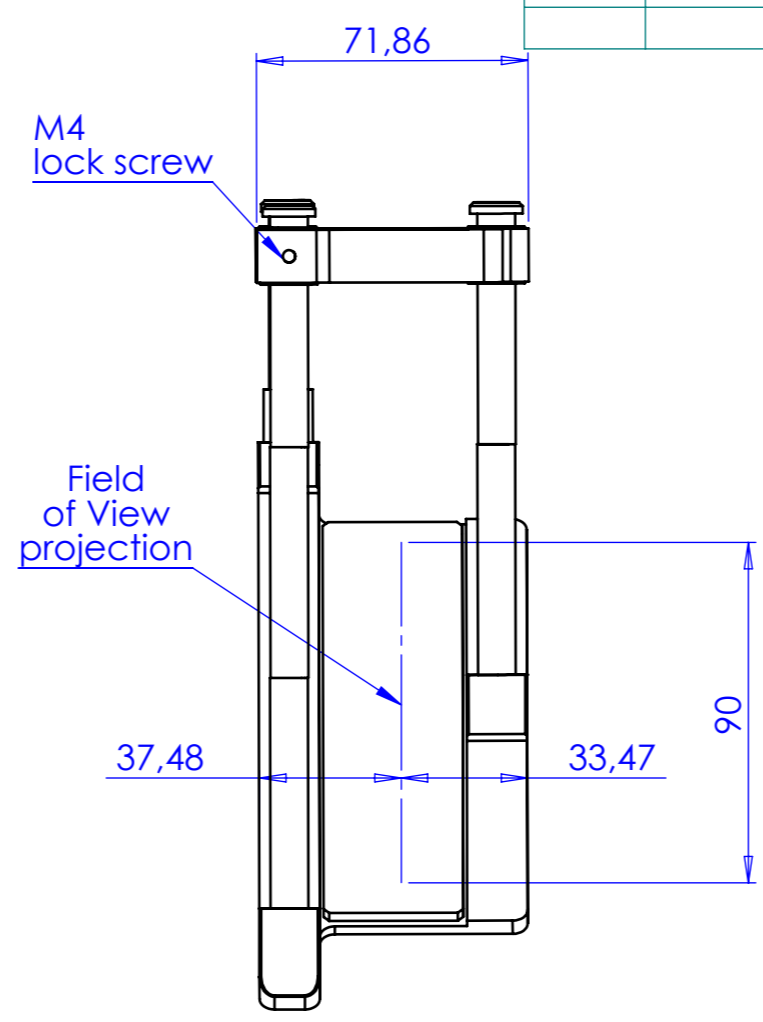
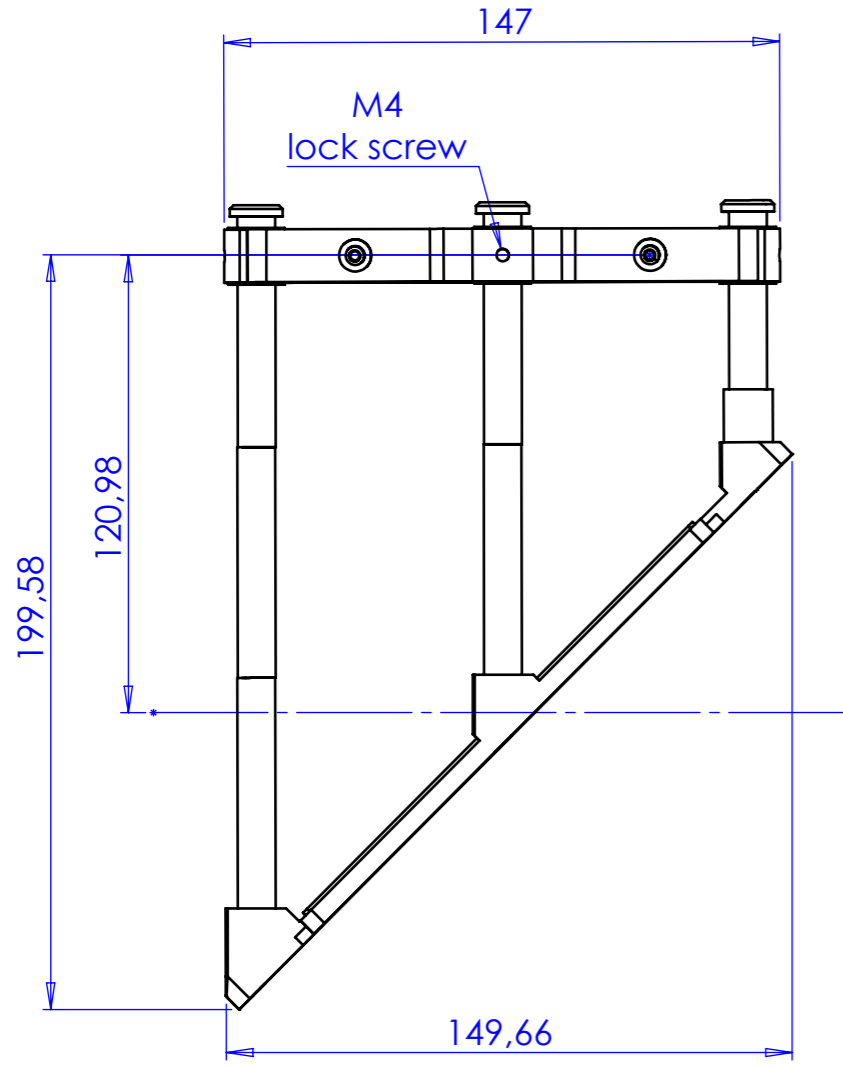


Rev No.	Description	Date	Name



Material		N.A.		Mass		553 g		Scale		1:2	
Surface treatment		N.A.		Part No.		CO22525					
Geometrical tolerance (ISO 2768-2)				Class	K	Undimensioned bevels		0.5x45°		Description	
Linear tolerance (ISO 2768-2)				Class	m	Undimensioned radii		R 0.5		CMMR4K090-L	
0.5	>3	>6	>30	>120	>400	>1000	>2000	Drawing No.		Sheet	
±3	±6	±30	±120	±400	±1000	±2000	±4000	DP 22525-A		1/1	
±0.1	±0.1	±0.2	±0.3	±0.5	±0.8	±1.2	±2	Date		Name	
				30/06/2014		Vasconetto					
				01/07/2014		Vasconetto					
OPTO ENGINEERING S.r.l. - Mantova Italy - Tel. +39 0376 699111 - www.opto-engineering.com											

A

A

B

B

C

C

D

D