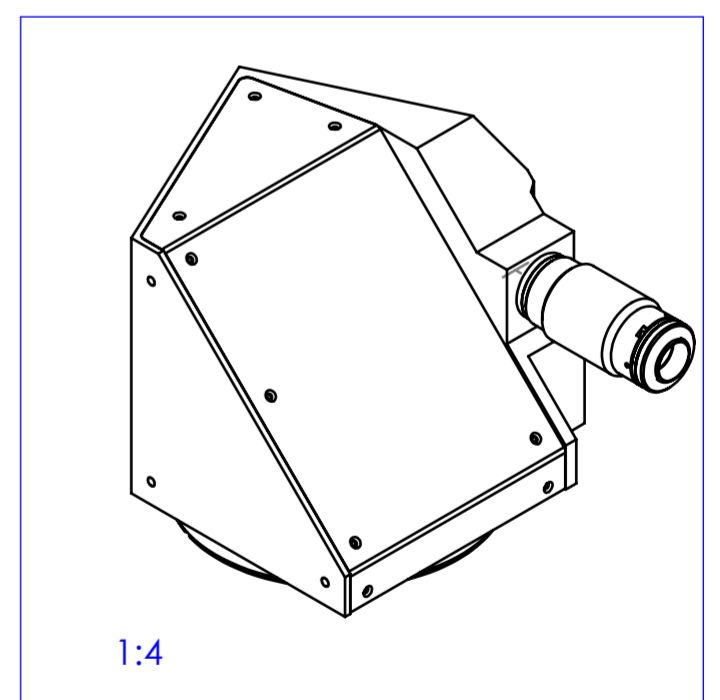
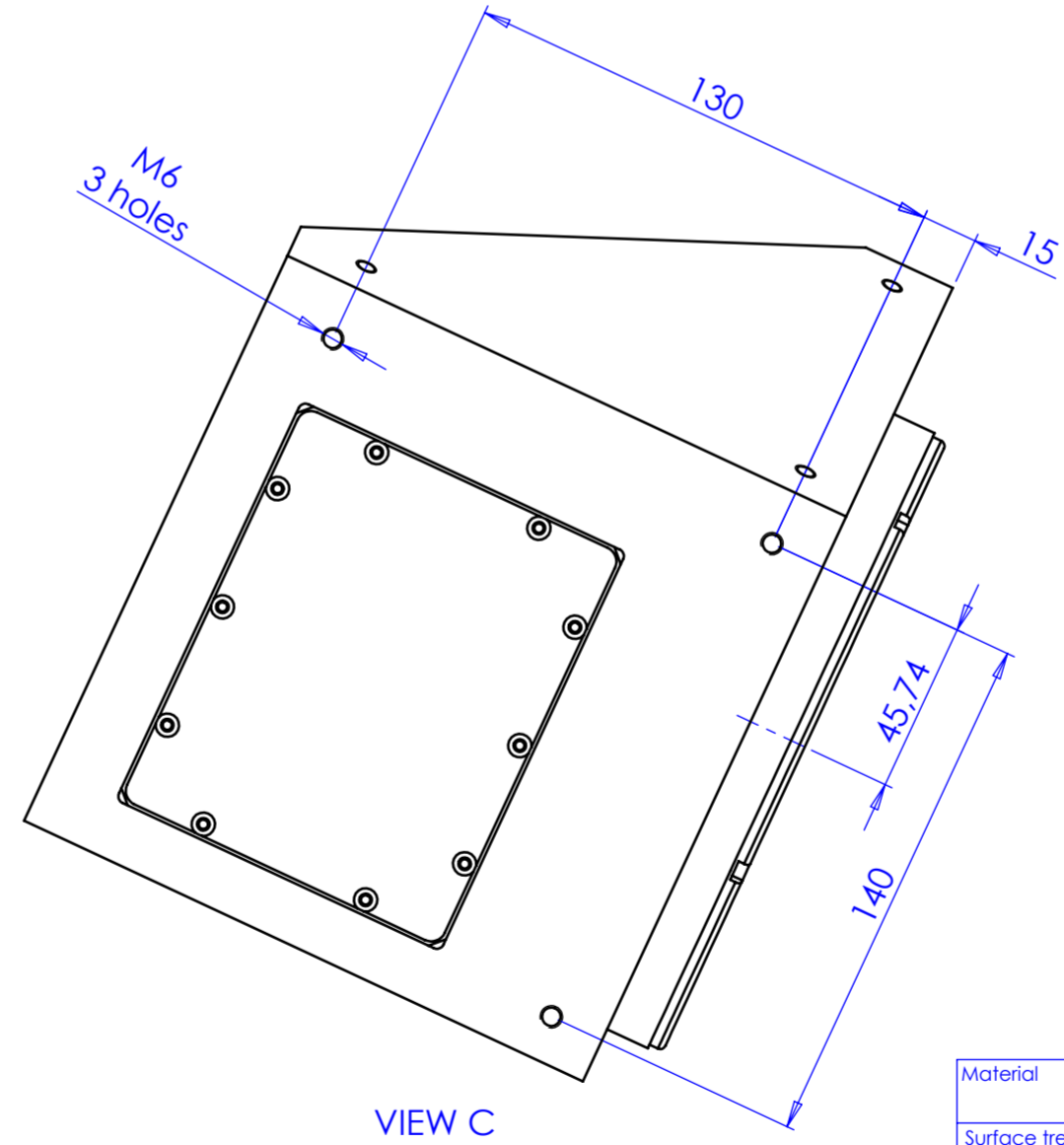
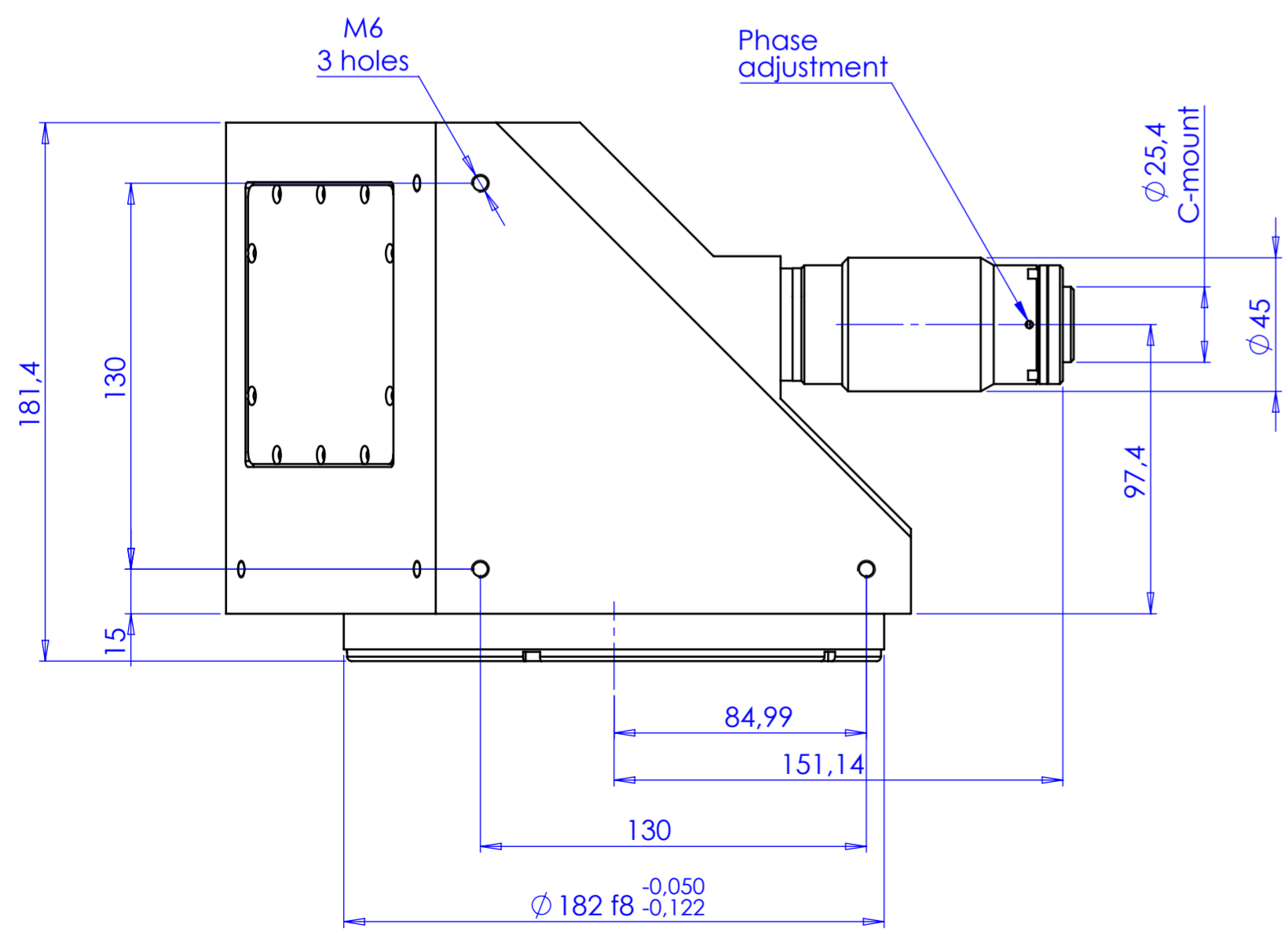
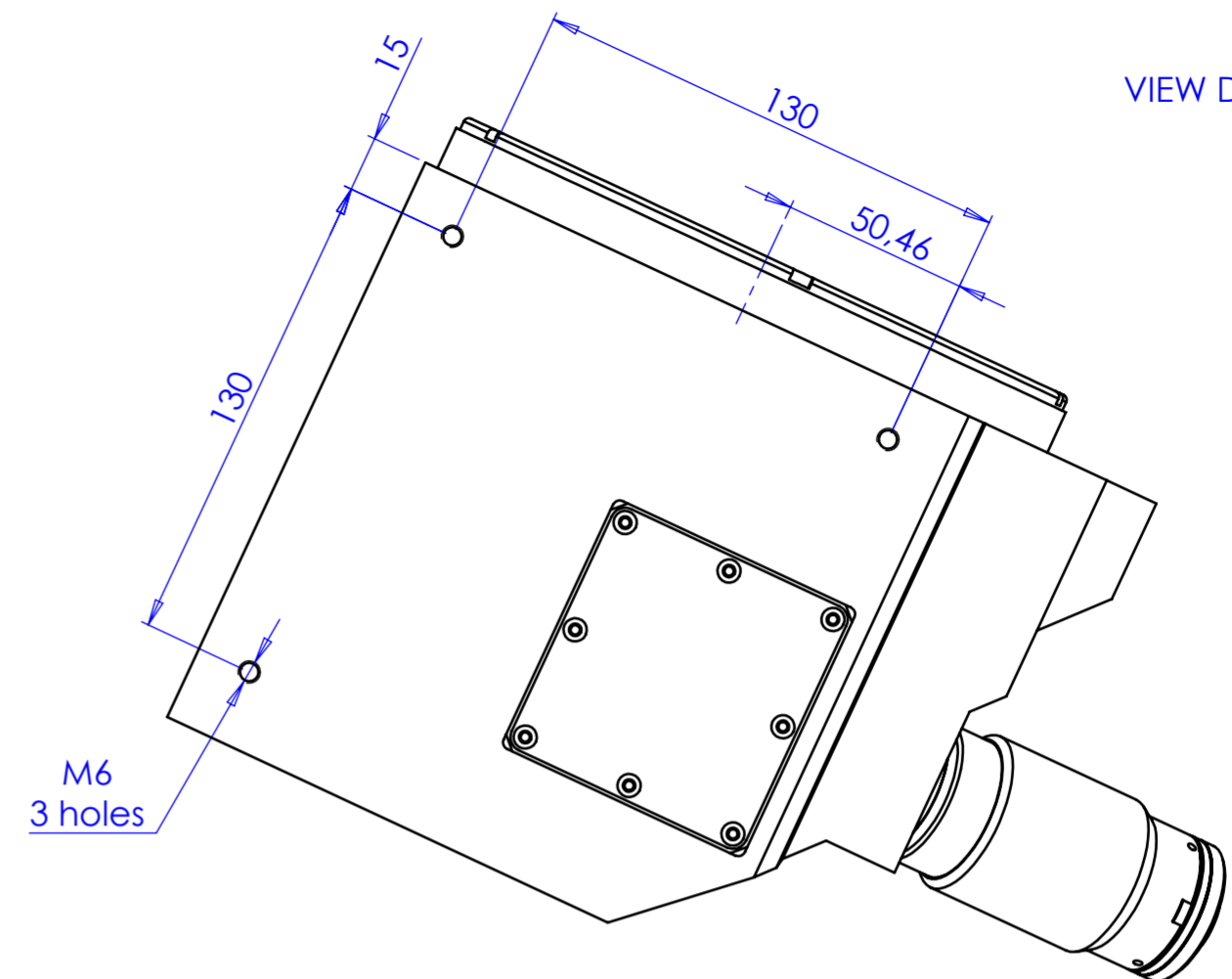
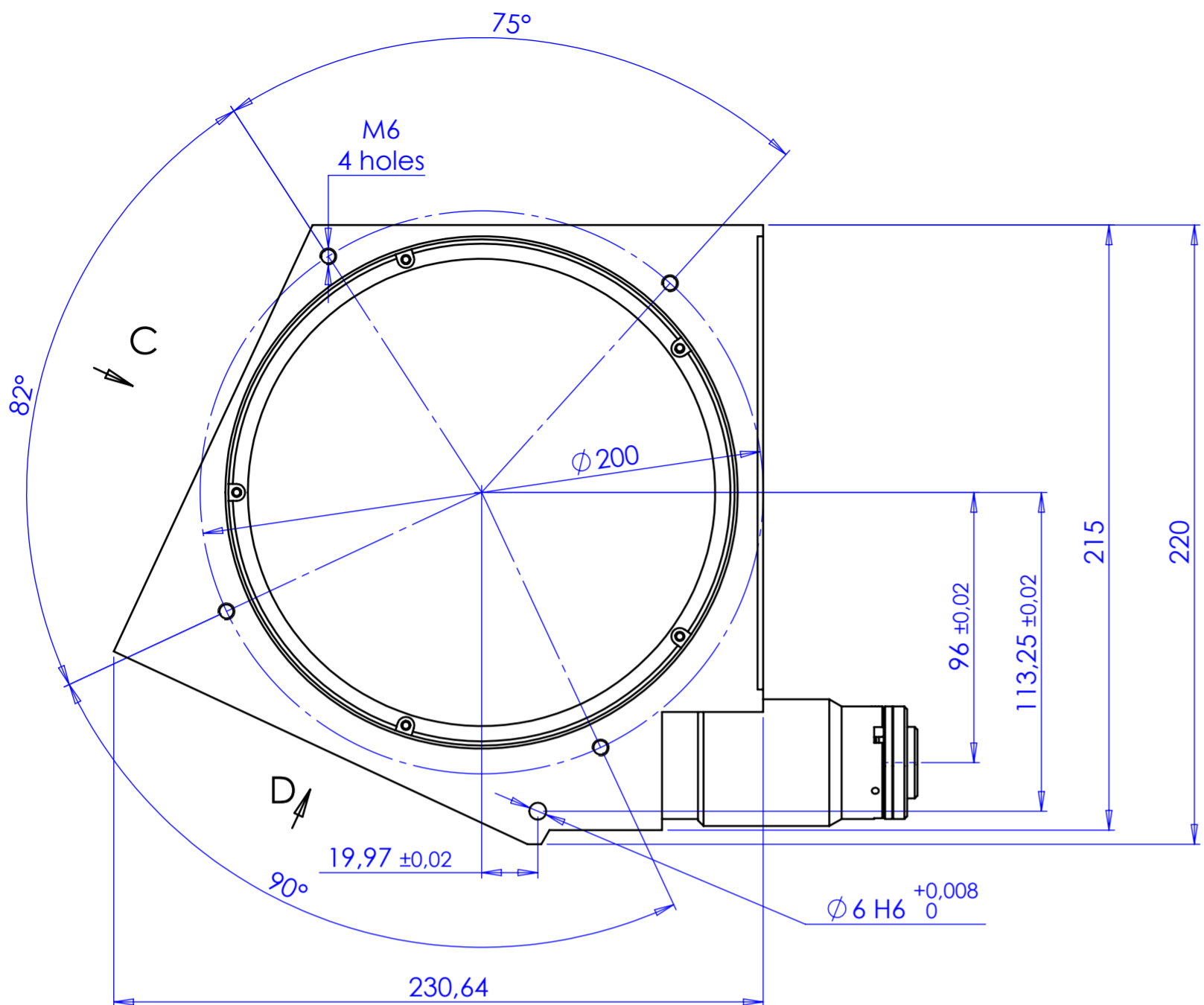


Rev No.	Description	Date	Name



Material	N.A.	Mass	9869 g	Scale	1:2						
Surface treatment	N.A.	Part No.	CO26990								
Geometrical tolerance (ISO 2768-2)	Class	K	Undimensioned bevels	0.5x45°	Description						
Linear tolerance (ISO 2768-2)	Class	m	Undimensioned radii	R 0.5	TCCR4M120-C						
0.5	>3+	>6+	>30+	>120	>400+	>1000	>2000	>4000	Drawing No.	Sheet	
+3	6	30	120	+400	1000	+2000	+4000	Designed 14/03/2017 Vasconetto Drawn 17/04/2018 Rizzotto Checked			DP 26990-A 1/1
+0.1	+0.1	+0.2	+0.3	+0.5	+0.8	+1.2	+2				
OPTO ENGINEERING S.r.l. - Mantova Italy - Tel. +39 0376 699111 - www.opto-engineering.com											

Secret and confidential - All rights reserved -
 No copy, dissemination or circulation is allowed unless
 specifically authorized in writing by OPTO ENGINEERING
 S.r.l. - Any violation shall be legally prosecuted.