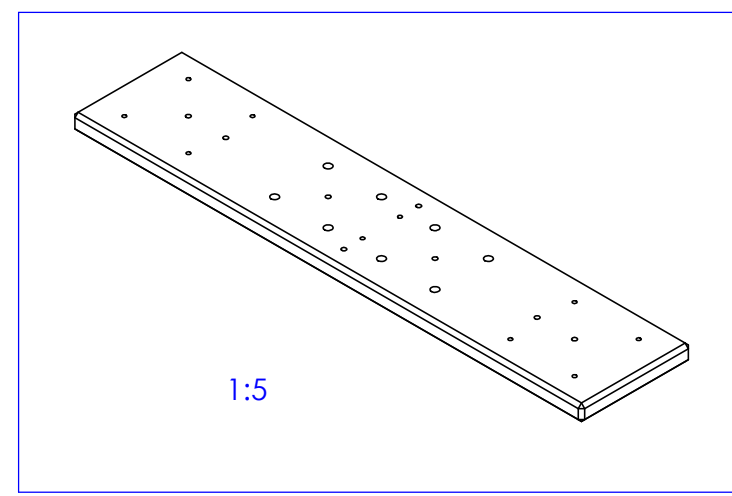
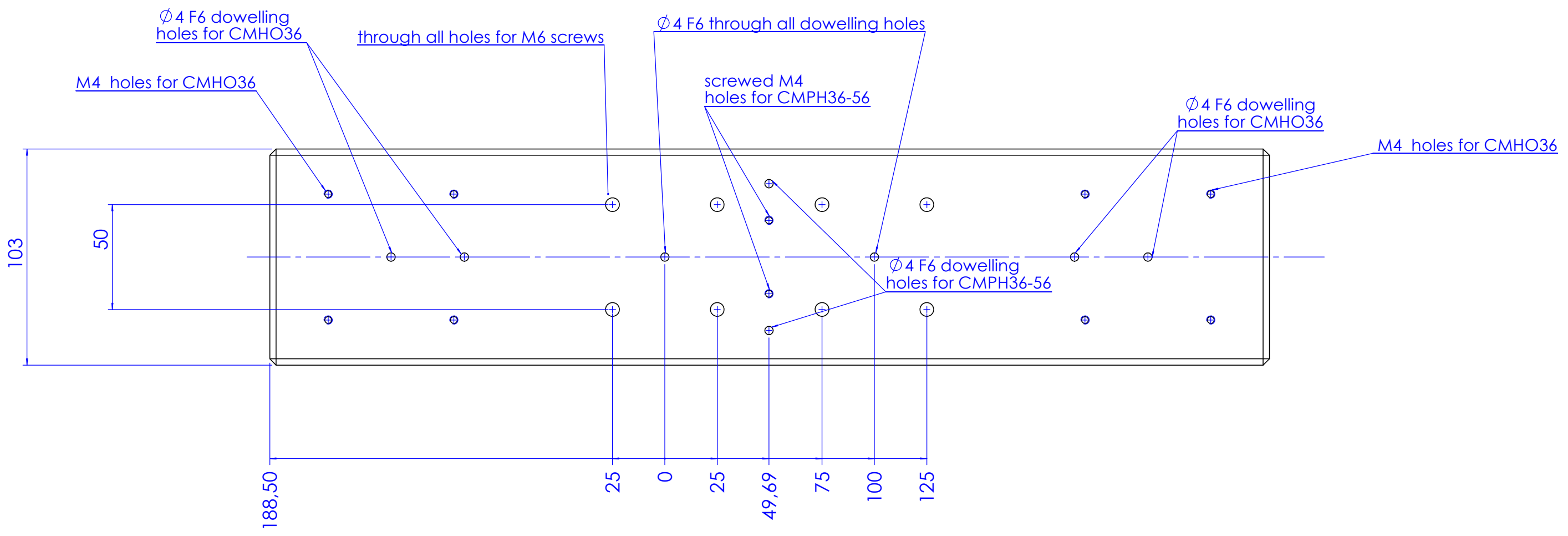
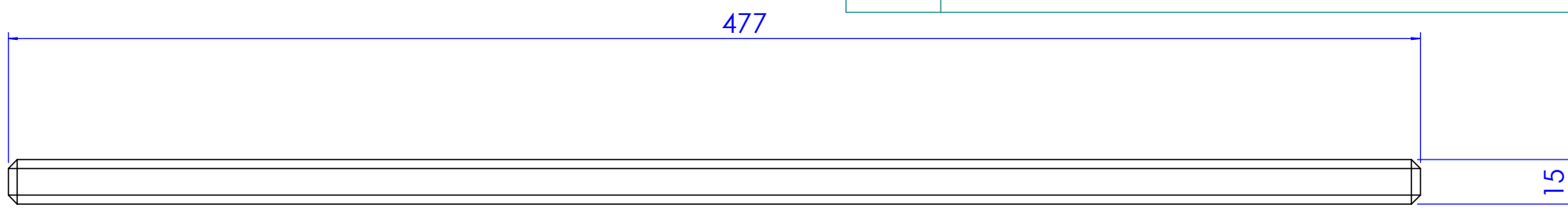


Rev No.	Description	Date	Name
A	New Part	16/09/09	N. Santini



Material Aluminum - UNI EN 573 EN AW 6063		Mass 1944 g		Scale 1:2		
Surface treatment Gray Condensed Anodization		Project-Prod.item/Instrument CMPT36		Description CMPT36		
Geometrical tolerance (ISO 2768-2)		Class	K	Undimensioned bevels	1x45°	
Linear tolerance (ISO 2768-2)		Class	m	Undimensioned radii	R 0.5	
0.5 ±3	>3± 6	>6± 30	>30± 120	>120 ±400	>400± 1000	
					>1000 ±2000	
					>2000 ±4000	
±0.1	±0.1	±0.2	±0.3	±0.5	±0.8	
					±1.2	
					±2	
		Date	Name	Drawing No.		
		Designed	16/09/09	N. Santini	18962-0-B	Sheet
		Draw	16/09/09	N. Santini		1/1
Checked	X	C.Sedazzari	Reproduction forbidden without specific authorization			
OPTO ENGINEERING S.r.l. - 46100 Mantova Italy - Via Cremona, 29/2 - Tel. +39 0376 263565 - e-mail: info@opto-engineering.com - http://www.opto-engineering.com						