



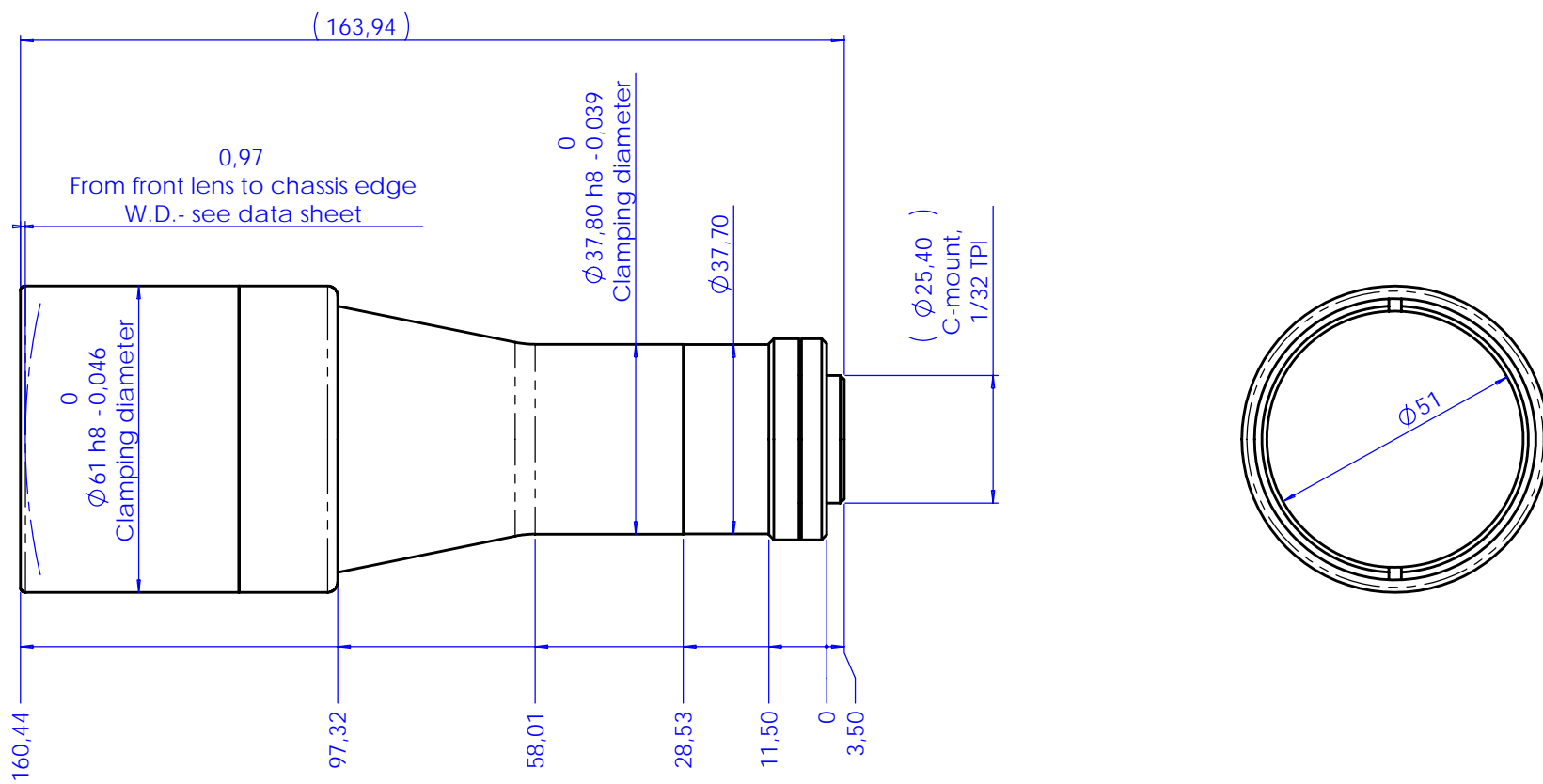
TC UV 23 36

UV Bi-Telecentric Lens for detectors up to 2/3"



part number		TC UV 23 36
Range	(nm)	365 / 420
Magnification		0,241 +/- 3%
Object Field	(mm x mm)	
with 1/4" (3,6 x 2,7) detector		14,9 x 11,2
with 1/3" (4,8 x 3,6) detector		19,9 x 14,9
with 1/2" (6,4 x 4,8) detector		26,6 x 19,9
with 1/1.8" (7,13 x 5,37) detector		29,6 x 22,3
with 2/3" (8,8 x 6,6) detector		36,5 x 27,4
Working Distance	(mm)	98,7 +/- 3
Working F-number		8
Telecentricity	(degree)	< 0,1
Distortion	(%)	< 0,08
Field Depth	(mm)	11,0
CTF @70 lp/mm	(%)	> 40
Image side N.A.		0,0620
Object side N.A.		0,0150
Mount		C
Length	(mm)	160,4
External diameter	(mm)	61,0
Weight	(g)	520

Rev No.	Description	Date	Name
A	First light	09/05/08	A.Vismara



Material	N.A.		Mass	0.52 kg	Scale	1:1	
Surface treatment	N.A.		Project-Prod.Item/Instrument	Telecentric lens UV 23 36			
Geometrical tolerance (ISO 2768-2)		Class	K	Undimensioned bevels	1x45°	Description Assembly	
Linear tolerance (ISO 2768-2)		Class	m	Undimensioned radii	R 0.5		
0.5	>3-	>6-	>30-	>120	>400-	>1000	>2000
+3	6	30	120	+400	+1000	+2000	+4000
±0.1	±0.1	±0.2	±0.3	±0.5	±0.8	±1.2	±2
www.opto-engineering.com		Date	Name	Drawing No.			
Designed	09/05/08	A.Vismara	02621-0-A				
Draw	09/05/08	A.Vismara	1/1				
Checked	X	C. Sedazzari	Reproduction forbidden without specific authorization				