

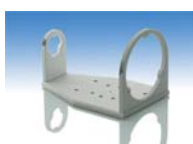
TC SM 096

0,09x Scheimpflug Mount Bi-Telecentric lens for 2/3"

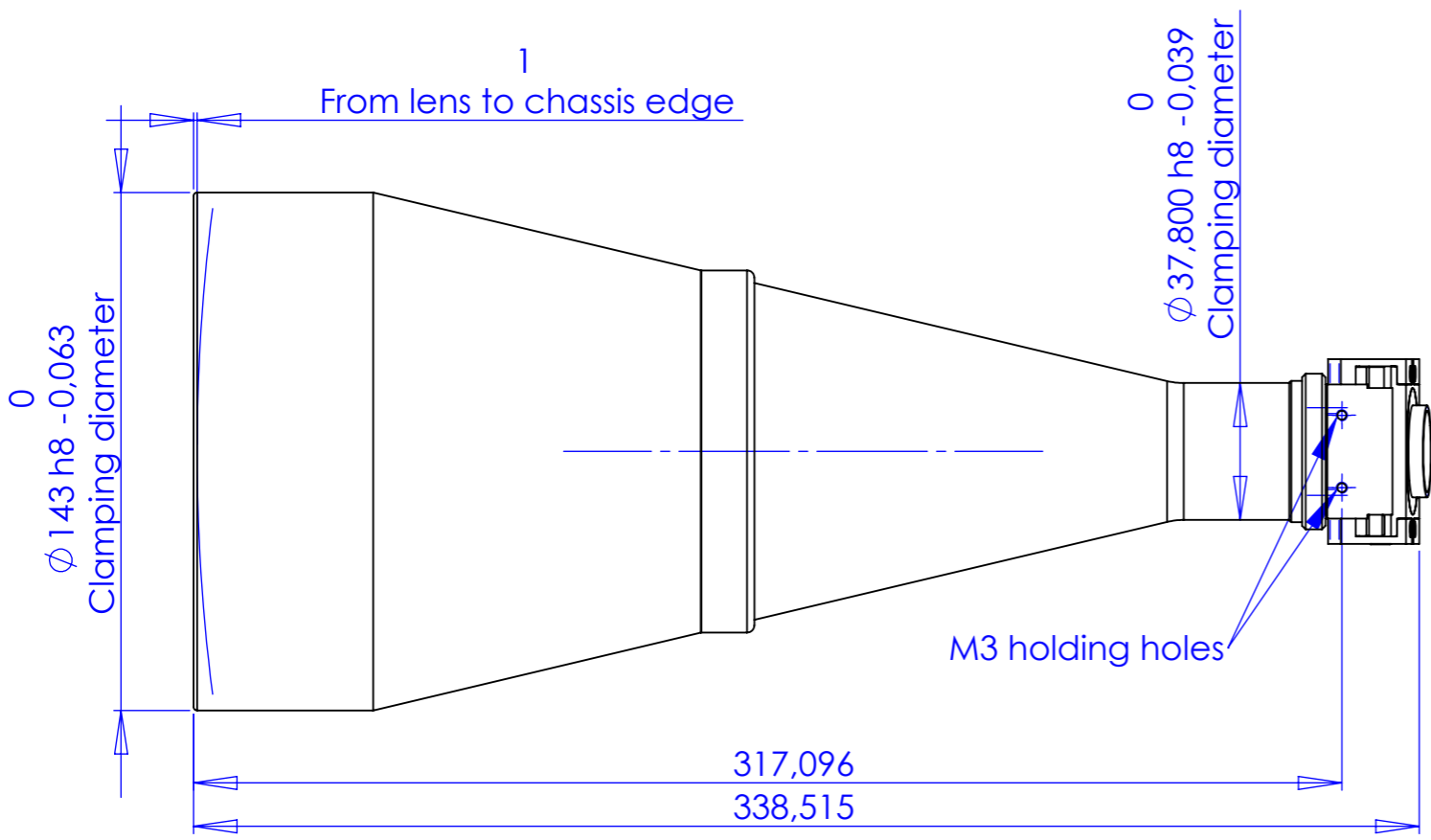
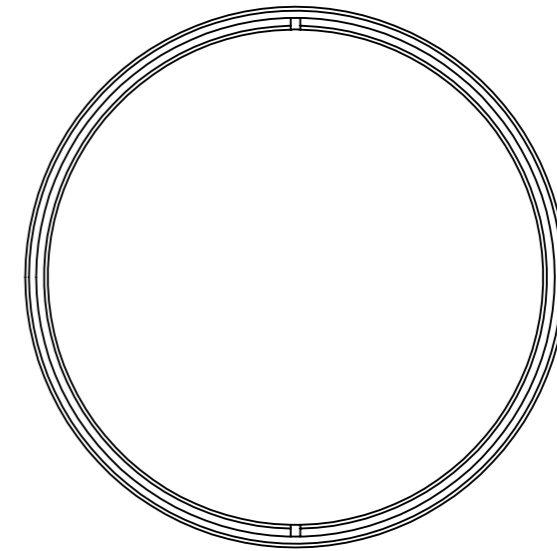
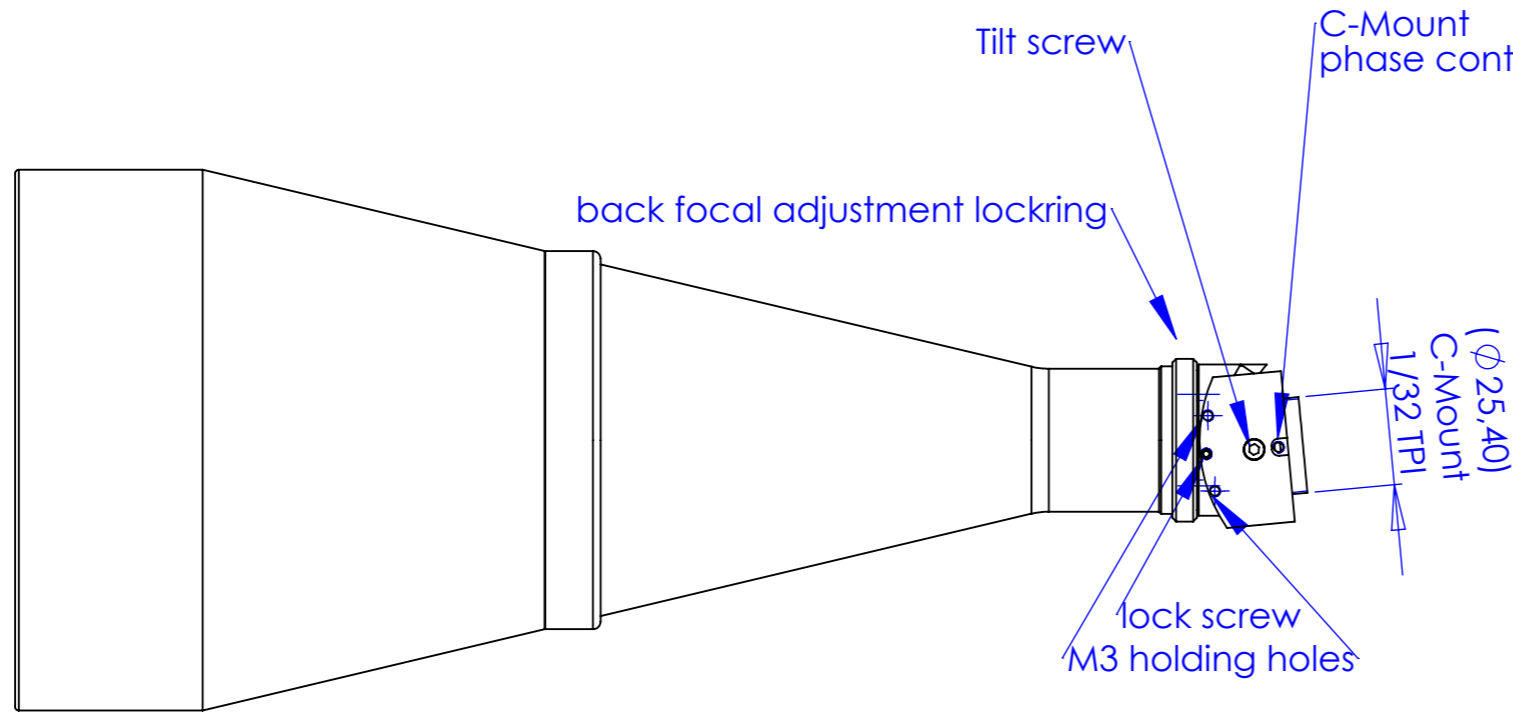


part number		TC SM 096
Magnification (@ 0°)		0,09
Max. Object Tilt	(deg)	45
Max Detector Tilt	(deg)	5,3
Field of View @ max. viewing angle	(mm x mm)	
with 1/3" (4,8 x 3,6) - long side horizontal		51,4 x 38,5
with 1/2" (6,4 x 4,8) - long side horizontal		68,5 x 51,4
with 2/3" (8,8 x 6,6) - long side horizontal		94,2 x 70,7
with 1/3" (3,6 x 4,8) - long side vertical		38,5 x 51,4
with 1/2" (4,8 x 6,4) - long side vertical		51,4 x 68,5
with 2/3" (6,6 x 8,8) - long side vertical		70,7 x 94,2
Working Distance	(mm)	279,0
Working F-number		8
Field Depth	(mm)	33,0
CTF @70 lp/mm	(%)	40
Mount		C
Length	(mm)	337
Front diameter	(mm)	143,0
Weight	(g)	2610

ACCESSORIES AND OPTIONS:



Clamping Mechanics:
Compatible with CMH096.



Material		N.A.		Mass		2,2 Kg		Scale		1:2	
Surface treatment		N.A.		Project-Prod.item/Instrument		TCSM096		Description		Scheimpflug Mount TC lens	
Geometrical tolerance (ISO 2768-2)				Class	K	Undimensioned bevels	0.5x45°	Drawing No. 19601-8-A Sheet 8/8 <i>Reproduction forbidden without specific authorization</i>			
Linear tolerance (ISO 2768-2)				Class	m	Undimensioned radii	R 0.5				
0.5 ±3	>3÷ 6	>6÷ 30	>30÷ 120	>120 ±400	>400÷ 1000	>1000 ±2000	>2000 ±4000				
±0.1	±0.1	±0.2	±0.3	±0.5	±0.8	±1.2	±2	Date		Name	
 OPTO ENGINEERING THE TELECENTRIC COMPANY		Designed		16/12/10		Date		Name		Drawing No.	
		Draw		16/12/10		Date		Name		Sheet	
		Checked		X		Date		Name		Sheet	
OPTO ENGINEERING S.r.l. - 46100 Mantova Italy - Via Cremona, 29/2 - Tel. +39 0376 263525 - e-mail: info@opto-engineering.com - http://www.opto-engineering.com											