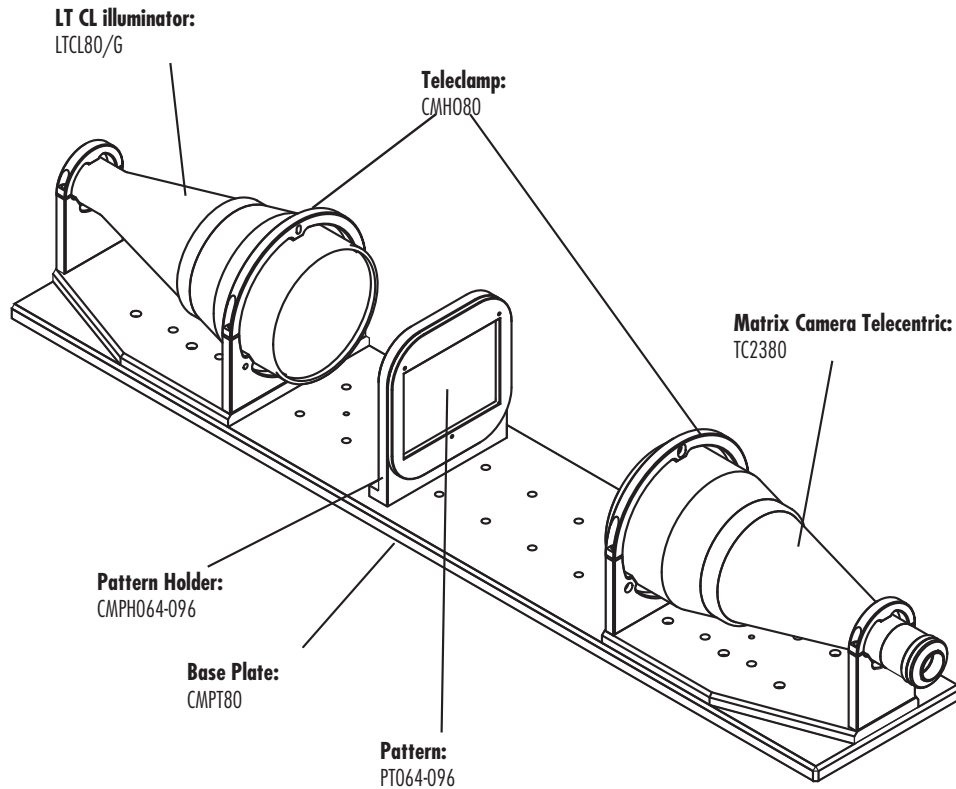


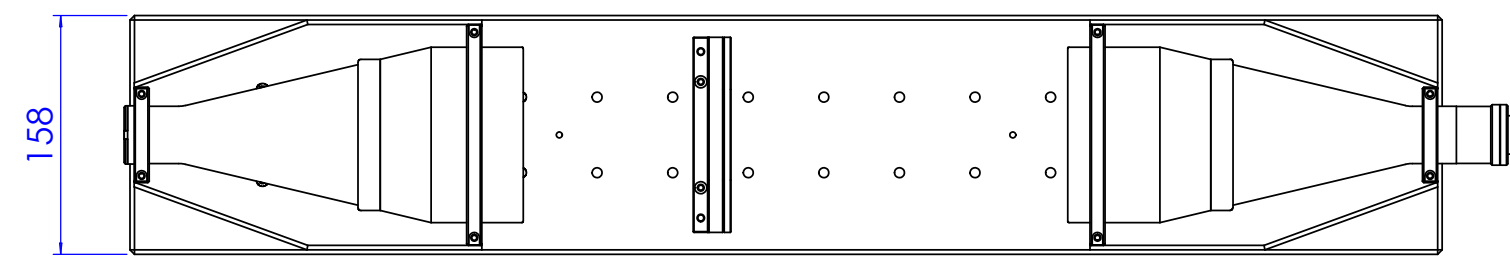
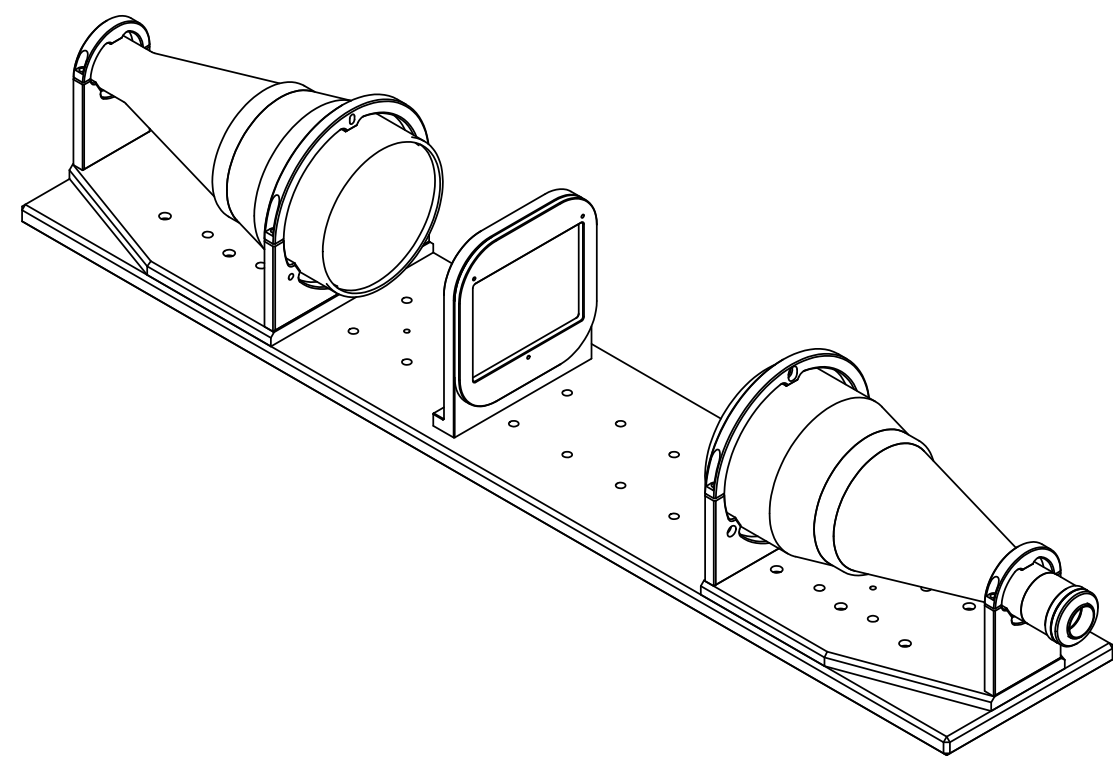
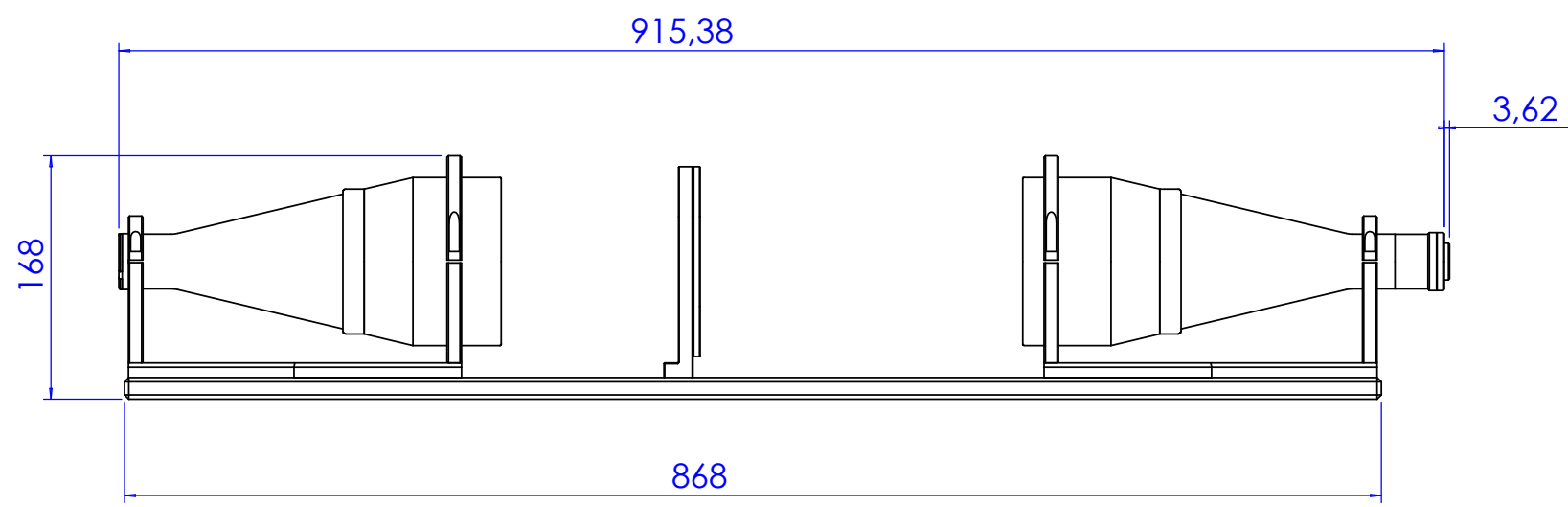
## TCBENCH80

# 0.11x Telecentric Optical Bench Kit



part number	TCBENCH80	
<b>Magnification</b>		0,110
<b>Field Of View</b>	(mm x mm)	
with 1/2" (6,4 x 4,8) detector		58,0 = 43,5
with 1/1.8" (7,13 x 5,37) detector		64,6 = 48,7
with 2/3" (8,8 x 6,6) detector		79,8 n.a. 59,8
<b>Measurement Accuracy</b>	(micron)	55,0
<b>Measurement Accuracy</b>	(%)	0,07%
<b>Field Depth</b>	(mm)	67,00
<b>CTF @70 lp/mm</b>	(%)	> 55
<b>Mount</b>		C
<b>Length</b>	(mm)	915,0
<b>Width</b>	(mm)	158,0
<b>Height</b>	(mm)	168,0
<b>Weight</b>	(g)	11100

Rev No.	Description	Date	Name
A	New Part	22/10/09	N. Santini



Material	N.A.			Mass	11135 g	Scale	1:5
Surface treatment	N.A.			Project-Prod.item/Instrument		TCBENCH80	
Geometrical tolerance (ISO 2768-2)			Class	K	Description		
Linear tolerance (ISO 2768-2)			Class	m	Undimensioned bevels	1x45°	TCBENCH80
0,5 ±3	>3÷ 6	>6÷ 30	>30÷ 120	>120 ±400	>400÷ 1000	>1000 ±2000	
±0.1	±0.1	±0.2	±0.3	±0.5	±0.8	±1.2	±2
Undimensioned radii			R 0.5		Drawing No.		
 www.opto-engineering.com			Date	Name	19106-0-A		Sheet
			Designed	22/10/09	N. Santini	1/1	
			Draw	22/10/09	N. Santini	Reproduction forbidden without specific authorization	
Checked	X	C.Sedazzari	OPTO ENGINEERING S.r.l. - 46100 Mantova Italy - Via Cremona, 29/2- Tel. +39 0376 263565 - e-mai: info@opto-engineering.com - http://www.opto-engineering.com				