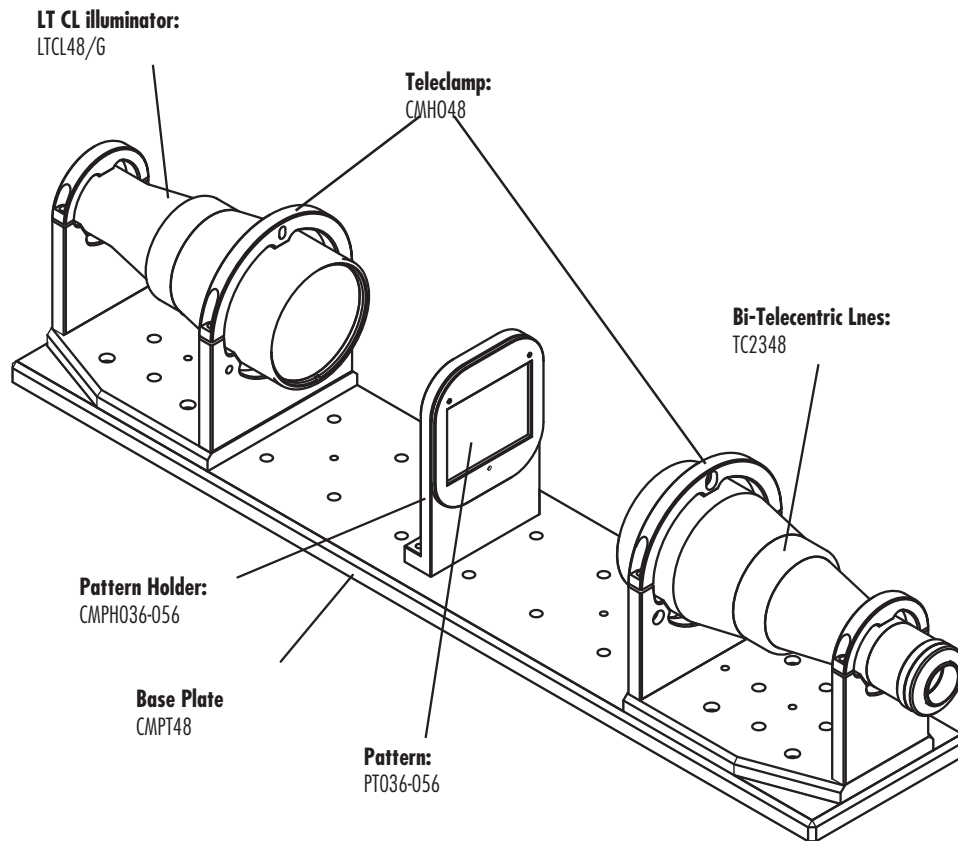


TCBENCH48

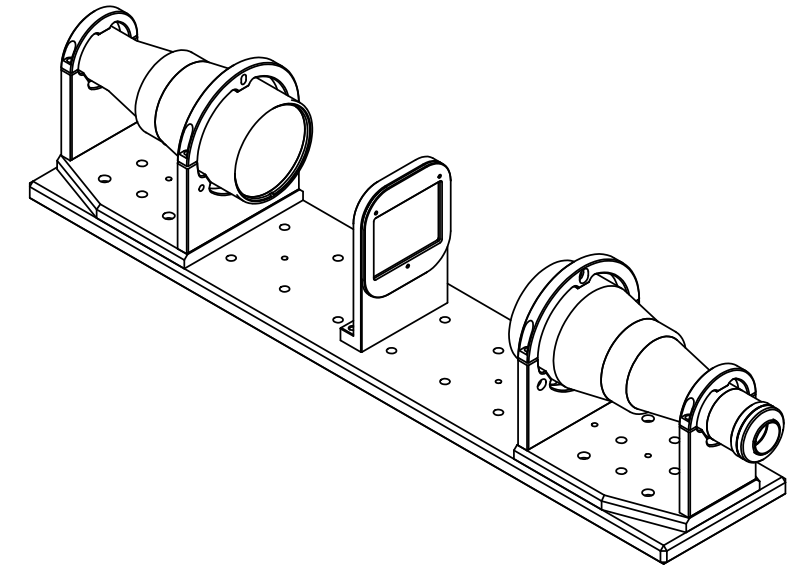
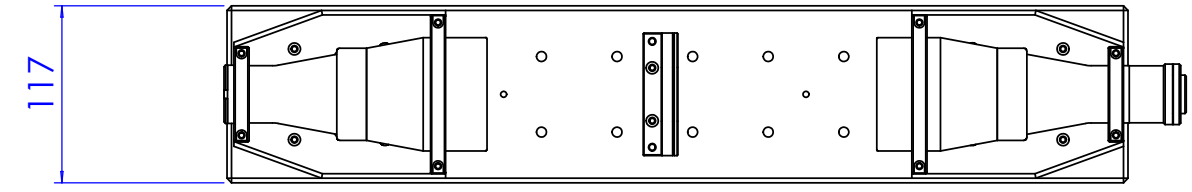
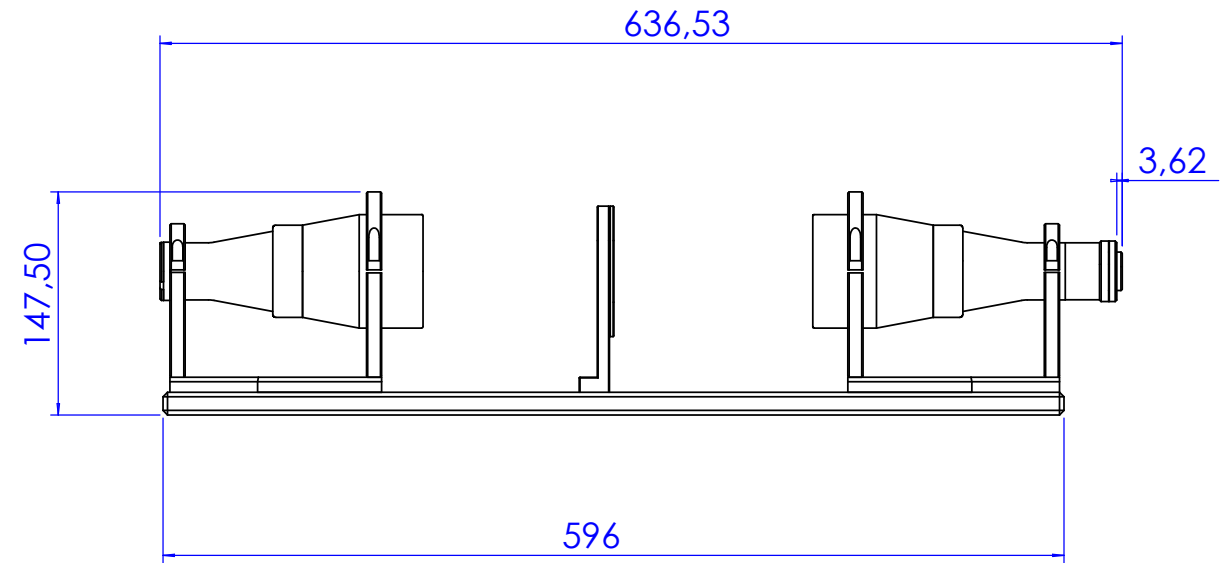
0.18x Telecentric Optical Bench Kit



part number		TCBENCH48
Magnification		0,184
Field Of View	(mm x mm)	
with 1/2" (6,4 x 4,8) detector		34,8 x 26,1
with 1/1.8" (7,13 x 5,37) detector		38,8 x 29,2
with 2/3" (8,8 x 6,6) detector		47,9 x 35,9
Measurement Accuracy	(micron)	31,0
Measurement Accuracy	(%)	0,06%
Field Depth	(mm)	24,00
CTF @70 lp/mm	(%)	> 50
Mount		C
Length	(mm)	636,0
Width	(mm)	117,0
Height	(mm)	147,5
Weight	(g)	5600

1 2 3 4 5 6 7 8

Rev No.	Description	Date	Name
A	New Part	22/10/09	N. Santini



D
C
B
A

D
C
B
A

Material	N.A.			Mass	5612 g	Scale	1:5
Surface treatment	N.A.			Project-Prod.item/Instrument TCBENCH48			
Geometrical tolerance (ISO 2768-2)			Class	K	Description		
Linear tolerance (ISO 2768-2)			Class	m	Undimensioned bevels	1x45°	TCBENCH48
0,5 ±3	>3÷ 6	>6÷ 30	>30÷ 120	>120 ±400	>400÷ 1000	>1000 ±2000	
±0.1	±0.1	±0.2	±0.3	±0.5	±0.8	±1.2	±2
Undimensioned radii			R 0.5		Drawing No.		
			Date	Name	19103-0-A		Sheet
			Designed	22/10/09	N. Santini	1/1	
			Draw	22/10/09	N. Santini		
Checked	X	C.Sedazzari	Reproduction forbidden without specific authorization				
OPTO ENGINEERING S.r.l. - 46100 Mantova Italy - Via Cremona, 29/2 - Tel. +39 0376 263565 - e-mai: info@opto-engineering.com - http://www.opto-engineering.com							

1 2 3 4 5 6 7 8

0 1 2 3 4 5 6 7 8 9 10