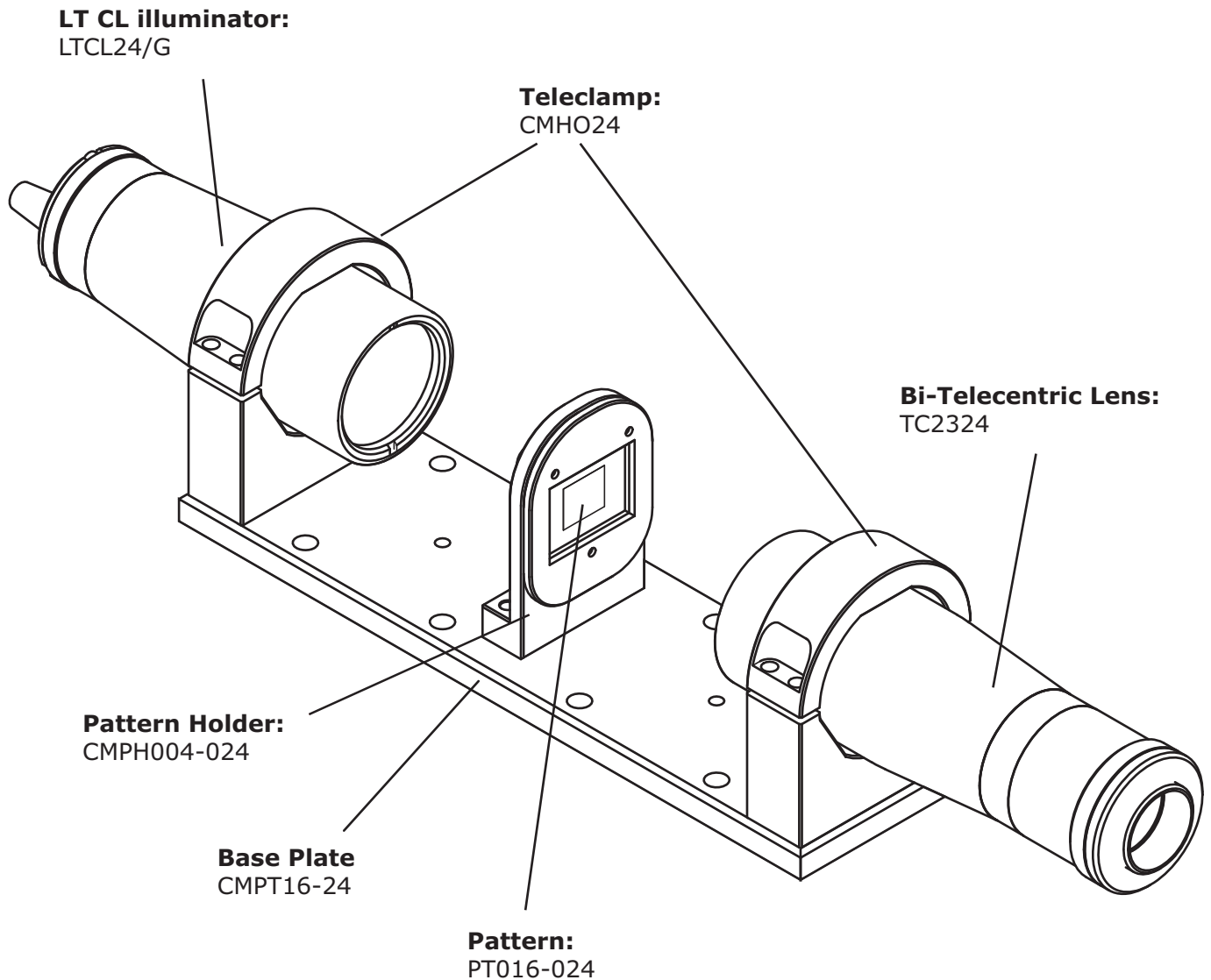


# TCBENCH24

## 0,35x TELECENTRIC OPTICAL BENCH KIT



WWW.OPTO-ENGINEERING.COM



Part Number		TCBENCH24
<b>Magnification</b>		0,350
<b>Field Of View</b>	<b>(mm x mm)</b>	
with 1/2" (6,4 x 4,8) detector		18,3 x 13,7
with 1/1.8" (7,13 x 5,37) detector		20,4 x 15,3
with 2/3" (8,8 x 6,6) detector		25,1 x 18,9
<b>Measurement Accuracy</b>	<b>(micron)</b>	13,0
<b>Measurement Accuracy</b>	<b>(%)</b>	0,05%
<b>Field Depth</b>	<b>(mm)</b>	7,00
<b>CTF @70 lp/mm</b>	<b>(%)</b>	> 55
<b>Mount</b>		C
<b>Length</b>	<b>(mm)</b>	391,0
<b>Width</b>	<b>(mm)</b>	65,5
<b>Height</b>	<b>(mm)</b>	78,5
<b>Weight</b>	<b>(g)</b>	1340

**MECHANICAL DRAWINGS: see next page >>**