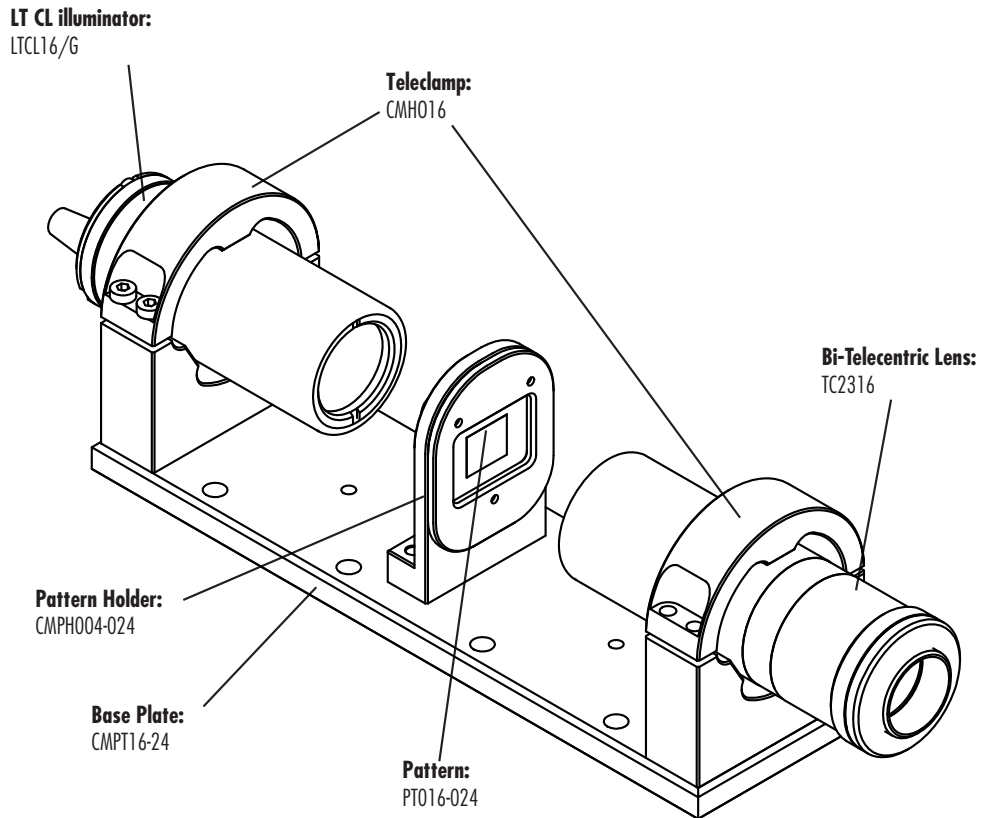


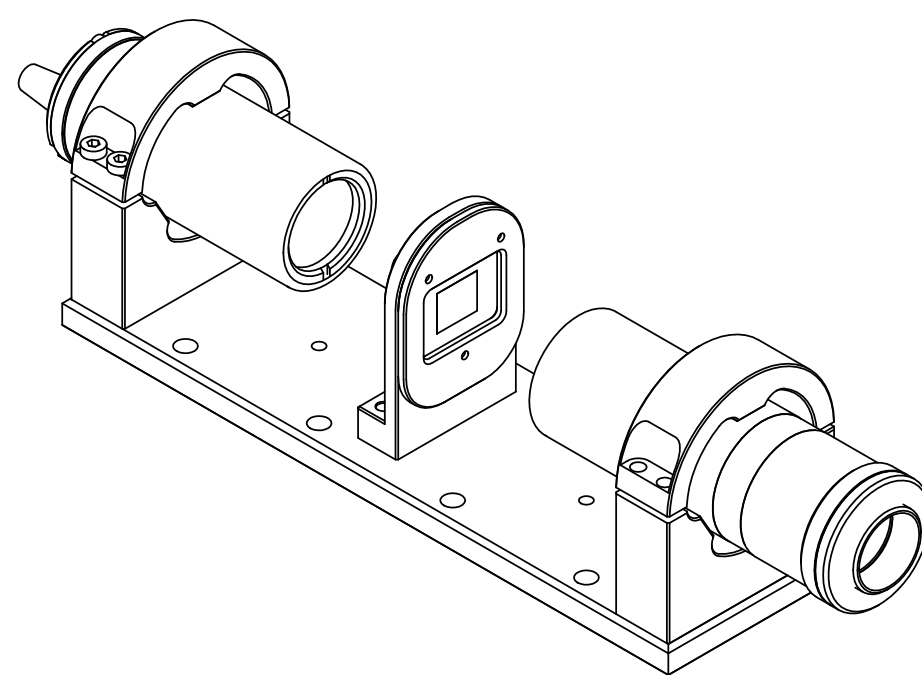
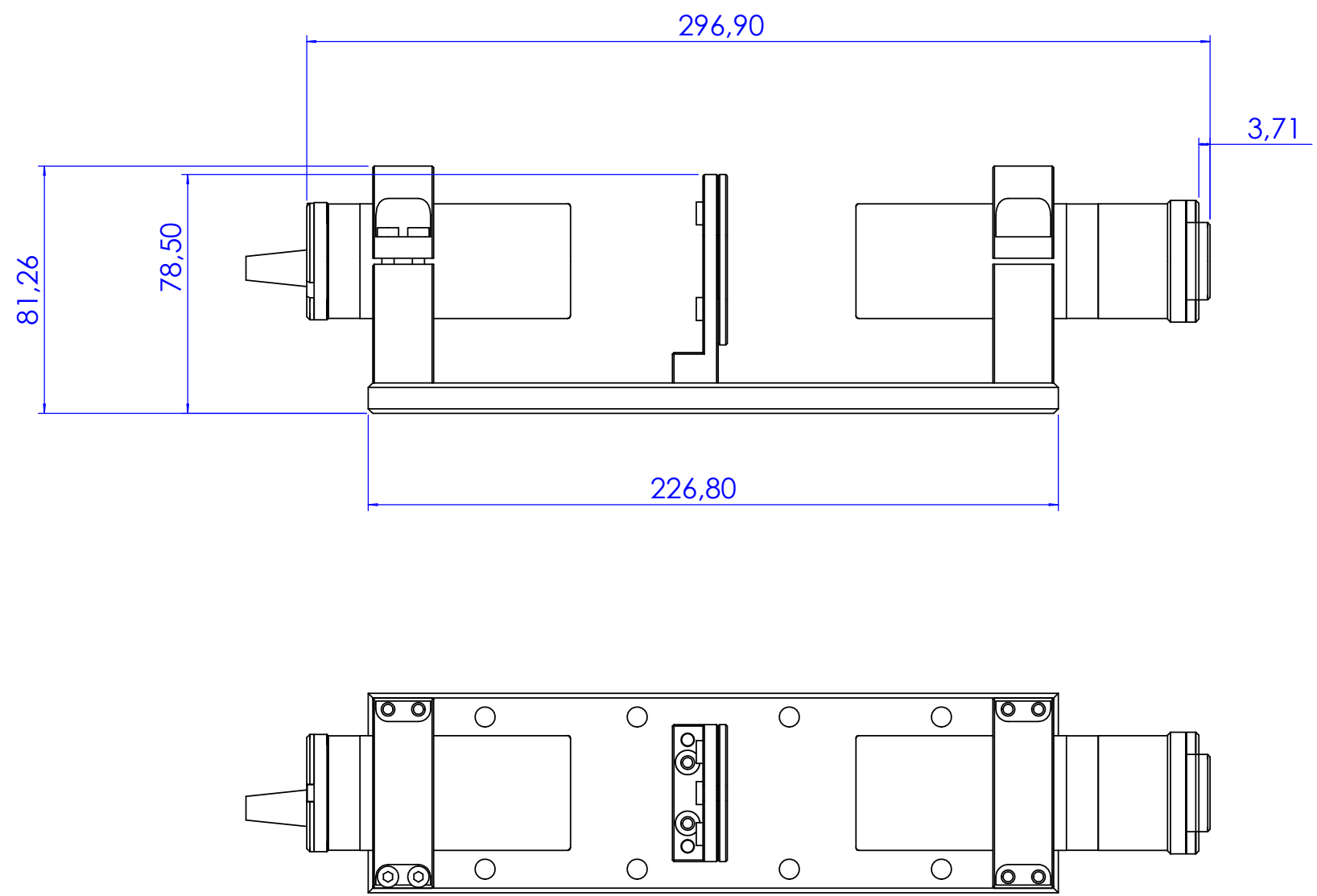
**TCBENCH16**

# 0.53x Telecentric Optical Bench Kit



part number		TCBENCH16
<b>Magnification</b>		0,528
<b>Field Of View</b>	(mm x mm)	
with 1/2" (6,4 x 4,8) detector		12,1 x 9,1
with 1/1.8" (7,13 x 5,37) detector		13,5 x 10,2
with 2/3" (8,8 x 6,6) detector		16,7 x 12,5
<b>Measurement Accuracy</b>	(micron)	8,0
<b>Measurement Accuracy</b>	(%)	0,05%
<b>Field Depth</b>	(mm)	2,90
<b>CTF @70 lp/mm</b>	(%)	> 40
<b>Mount</b>		C
<b>Length</b>	(mm)	297,0
<b>Width</b>	(mm)	65,5
<b>Height</b>	(mm)	81,2
<b>Weight</b>	(g)	1200

Rev No.	Description	Date	Name
A	New Part	22/10/09	N. Santini



Material	N.A.			Mass	1212 g	Scale	1:2
Surface treatment	N.A.			Project-Prod.item/Instrument TCBENCH16			
Geometrical tolerance (ISO 2768-2)			Class	K	Undimensioned bevels		
Linear tolerance (ISO 2768-2)			Class	m	1x45°		
0,5	>3÷	>6÷	>30÷	>120	>400÷	>1000	>2000
±3	6	30	120	±400	1000	±2000	±4000
±0.1	±0.1	±0.2	±0.3	±0.5	±0.8	±1.2	±2
Undimensioned radii			R 0.5				
		Date	Name	Drawing No.		Sheet	
Designed		22/10/09	N. Santini	19100-0-A		1/1	
Draw		22/10/09	N. Santini	Reproduction forbidden without specific authorization			
Checked		X	C.Sedazzari				
<b>OPTO ENGINEERING S.r.l. - 46100 Mantova Italy - Via Cremona, 29/2 - Tel. +39 0376 263565 - e-mai: info@opto-engineering.com - http://www.opto-engineering.com</b>							