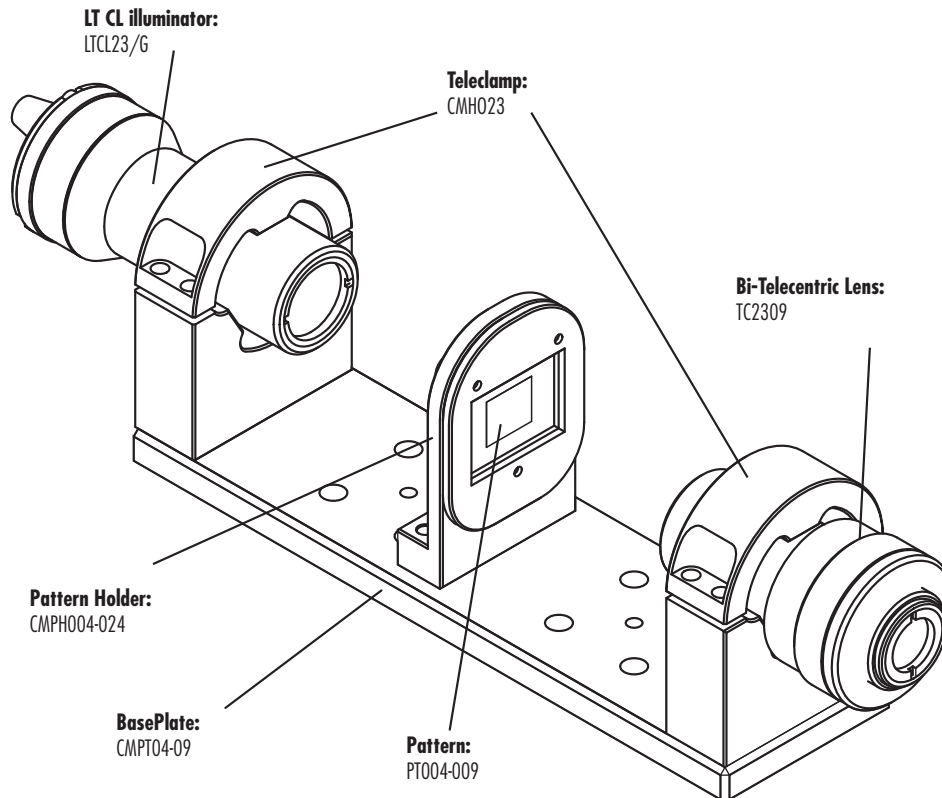


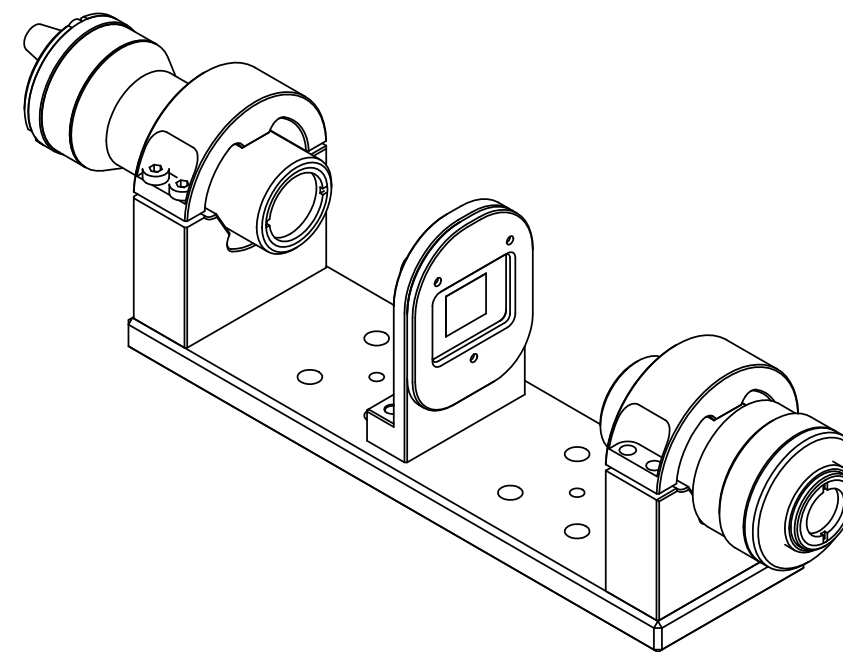
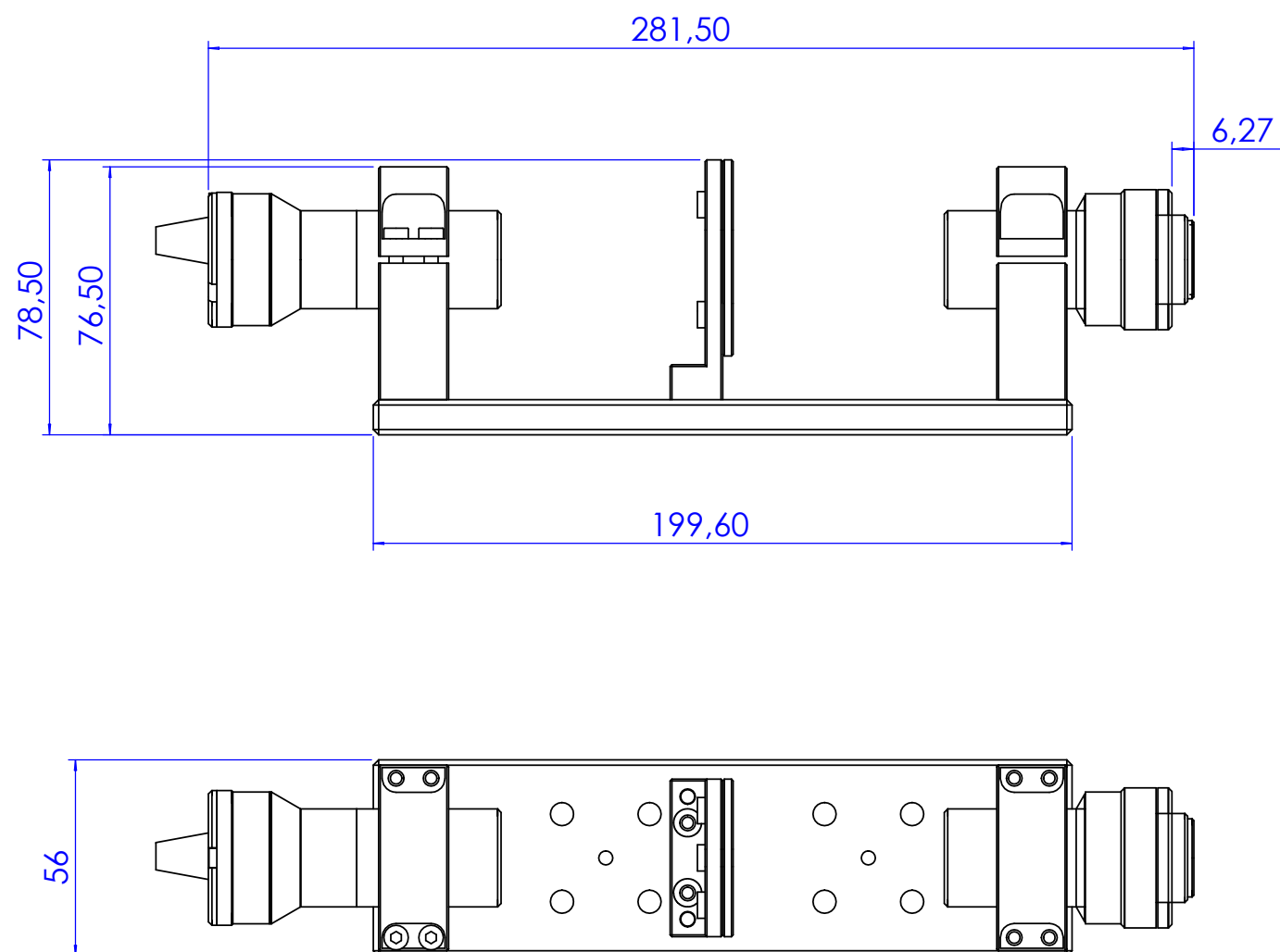
**TCBENCH09**

# 1x Telecentric Optical Bench Kit



part number	TCBENCH09	
<b>Magnification</b>		1,000
<b>Field Of View</b>	(mm x mm)	
with 1/2" (6,4 x 4,8) detector		6,4 x 4,8
with 1/1.8" (7,13 x 5,37) detector		7,1 x 5,4
with 2/3" (8,8 x 6,6) detector		8,8 x 6,6
<b>Measurement Accuracy</b>	(micron)	5,0
<b>Measurement Accuracy</b>	(%)	0,06%
<b>Field Depth</b>	(mm)	1,20
<b>CTF @70 lp/mm</b>	(%)	> 35
<b>Mount</b>		C
<b>Length</b>	(mm)	282,0
<b>Width</b>	(mm)	56,0
<b>Height</b>	(mm)	78,5
<b>Weight</b>	(g)	900

Rev No.	Description	Date	Name
A	New Part	22/10/09	N. Santini



Material	N.A.			Mass	902 g	Scale	1:2	
Surface treatment	N.A.			Project-Prod.item/Instrument TCBENCH09				
Geometrical tolerance (ISO 2768-2)			Class	K	Undimensioned bevels			
Linear tolerance (ISO 2768-2)			Class	m	1x45°			
0,5	>3÷	>6÷	>30÷	>120	>400÷	>1000	>2000	
±3	6	30	120	±400	1000	±2000	±4000	
±0.1	±0.1	±0.2	±0.3	±0.5	±0.8	±1.2	±2	
					Undimensioned radii		R 0.5	
			Date	Name	Drawing No.			
			Designed	22/10/09	N. Santini	19099-0-A		
			Draw	22/10/09	N. Santini	Sheet		
			Checked	X	C.Sedazzari	1/1		
www.opto-engineering.com OPTO ENGINEERING S.r.l. - 46100 Mantova Italy - Via Cremona, 29/2 - Tel. +39 0376 263565 - e-mai: info@opto-engineering.com - http://www.opto-engineering.com								
Reproduction forbidden without specific authorization								

A  
B  
C  
D

A  
B  
C  
D

1 2 3 4 5 6 7 8

1 2 3 0 1 2 3 4 5 6 7 8 9 10 6 7 8