

TC 4M 192

BI-TELECENTRIC LENS FOR 4MPiX (22MM DIAGONAL) DETECTORS



Model:	TC 4M 192 /C (/F)	
Magnification (X):	0,092 +/- 3%	
Object Field (mm):	<i>Cypress IBIS4-6600:</i>	114,7 x 84,4
	<i>Kodak KAI 2020:</i>	129,3 x 97,0
	<i>Kodak KAI 2093:</i>	155,2 x 87,3
	<i>MICRON MI-MV40:</i>	179,9 x 132,1
	<i>Kodak KAI4011/4021:</i>	165,6 = 165,6
Working Distance (mm):	531,0 +/- 16	
Working F-number:	16	
MTF @50 lp/mm (%):	> 30 (*)	
Field Depth (mm):	120,0 @ F/ 16	
Telecentricity (degree):	< 0,1	
Distortion (%):	< 0,1	
Mount:	C (/C) or F (/F)	
Length (mm):	727,3	
Maximum external diameter (mm):	260,0	
Weigh (g):	11800	

(*) Green or Red LED or pseudo monochromatic light highly recommended for optical specification improvement

ACCESSORIES AND OPTIONS:



Collimated/Telecentric illumination:
compatible with LTCL192 illuminator;
green light suggested.



Coaxial illumination:
not available.



Back Light illumination:
Compatible with LTBK96 illuminator.



Clamping Mechanics:
use the built-in holed flange to mount
the lens.

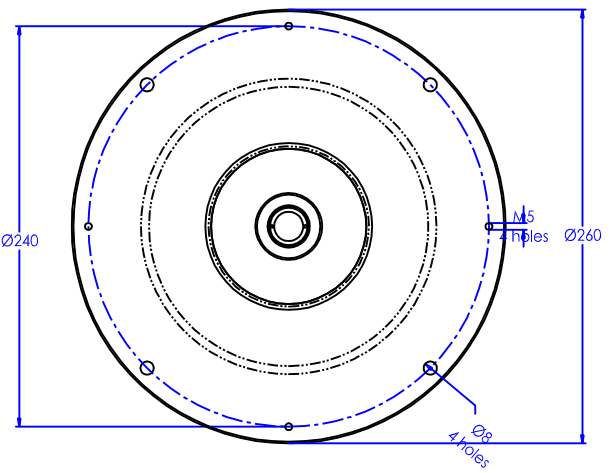
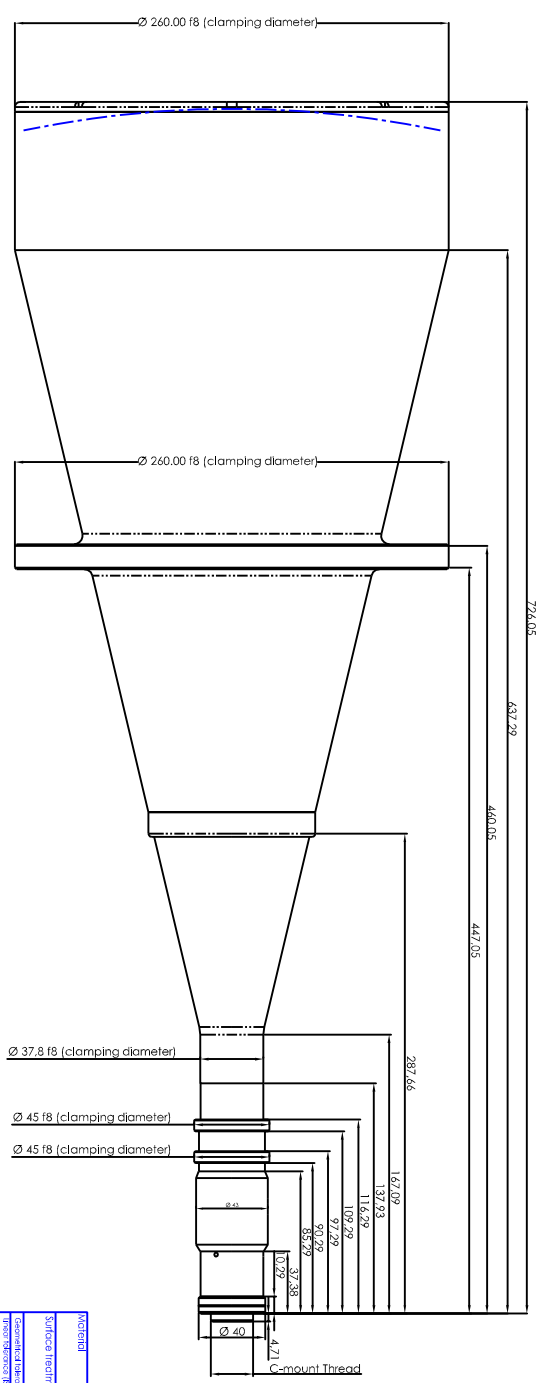
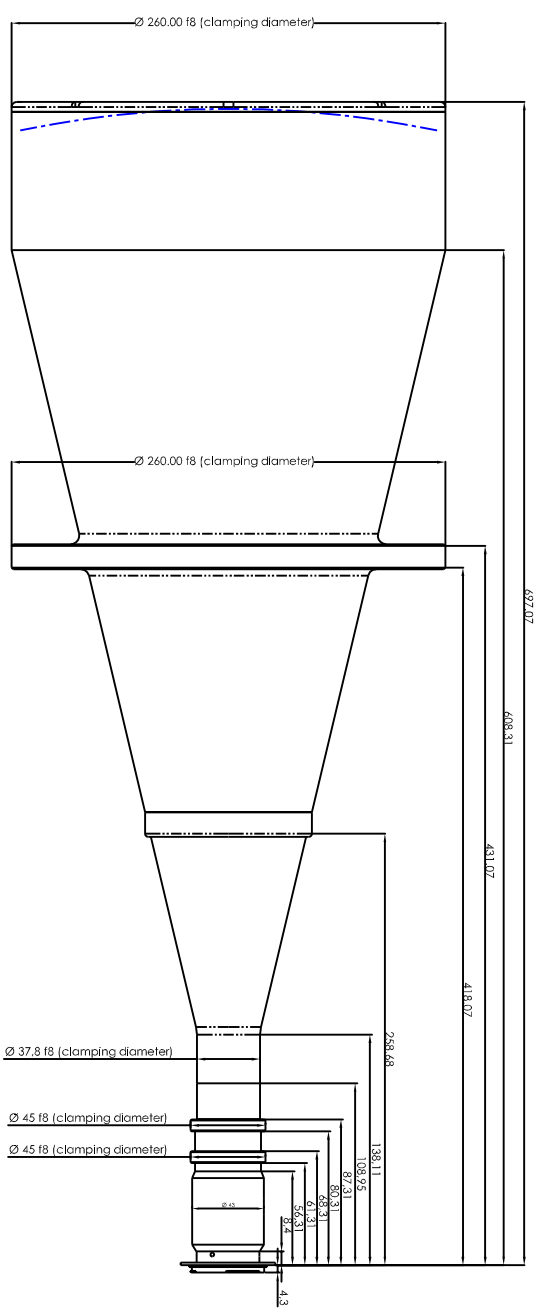


Direct illumination:
not available.



Filters:
filters can be inserted in the rear part
of the lens with the C-mount option.

Rev. No.	Description	Date	Name
A	First Light	10/03/06	A.Vismarica



TC 4M 192/F (F-mount)

TC 4M 192/C (C-mount)

Material	N.A.	Mass	5,7 kg	Scale	1:1
Surface treatment	N.A.	Project/Requirement/Statement	Telecentric lens TC 4M 192		
Assembly	Assembly				
Design/Drawn/Checked	10/03/06 10/03/06 X	Design/Drawn/Checked	18319-0-A-TC4M192 1/1		
ARTO ENGINEERING S.p.A. - ARTO Business Hub - Via Gramsci, 23/2 - 10136 - 01029 Zibonico - e-mail: info@arto-engineering.com - http://www.arto-engineering.com					