

TC 4M 172

BI-TELECENTRIC LENS FOR
LARGE DETECTORS UP TO 1.2"
(21.5 MM DIAGONAL)



Part Number	TC 4M 172 (/C /F)	
Magnification		0,101 +/- 3%
Field Of View	(mm)	
with IBIS4-6600		103,5 x 76,2
with KAI2020		116,7 x 87,5
with KAI 2093		140,0 x 78,8
with MI-MV40		162,2 x 119,2
with KAI4011/4021		149,3 x 149,3
Working Distance	(mm)	531,0 +/- 16
Working F-number		16
Telecentricity	(degree)	< 0,1
Distortion	(%)	< 0,1
Field Depth	(mm)	112,0
CTF @50 lp/mm	(%)	> 30
Image side N.A.		0,0310
Object side N.A.		0,0031
Mount		C or F
Length	(mm)	735,3
External diameter	(mm)	260,0
Weight	(g)	11800

ACCESSORIES AND OPTIONS:



Collimated/Telecentric illumination:
compatible with LTCL192 illuminator;
green light suggested.



Coaxial illumination:
not available.



Back Light illumination:
Compatible with LTBK192 illuminator.



Clamping Mechanics:
use the built-in holed flange to mount
the lens.



Direct illumination:
not available.

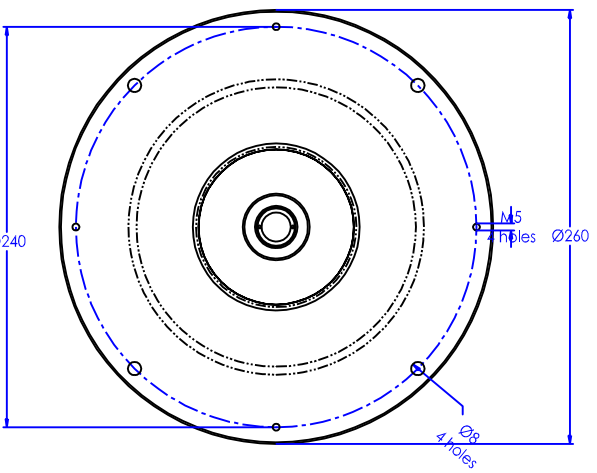
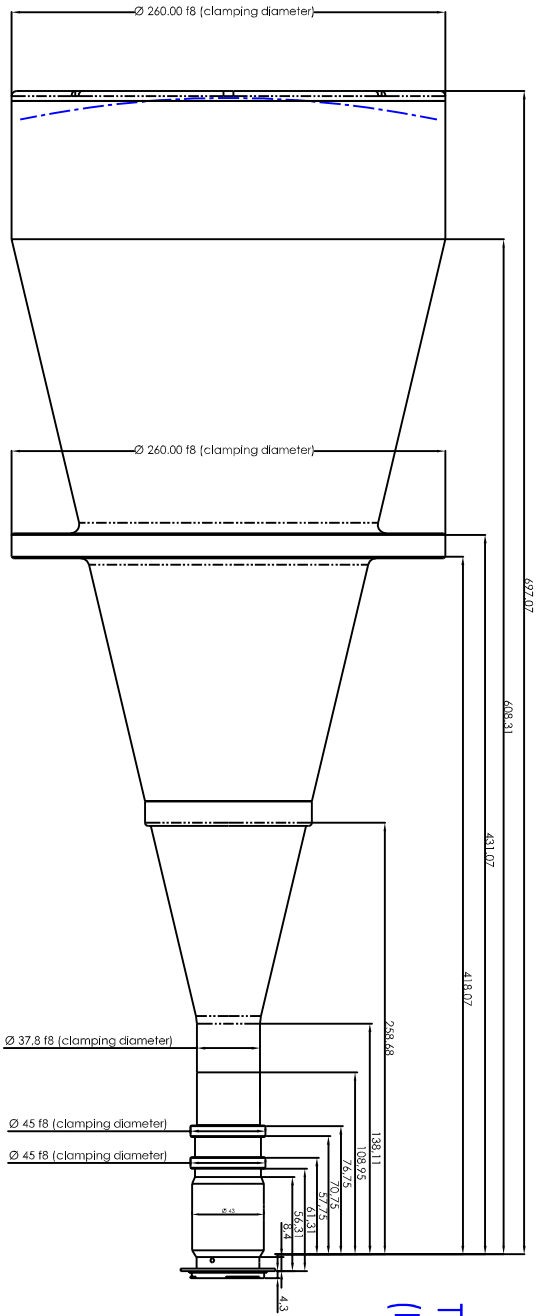


Filters:
filters can be inserted in the rear part
of the lens in the C-mount version.

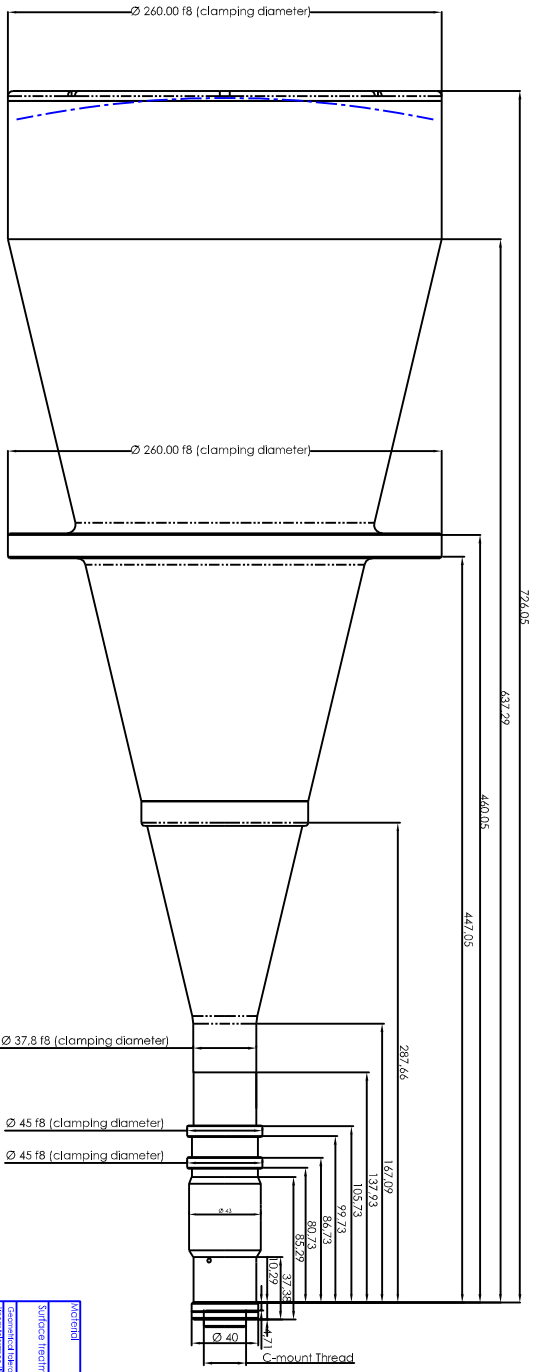
MECHANICAL DRAWINGS: see next page >>

Rev. No.	Description	Date	Name
A	First Light	10/03/06	A.Vismara

TC 4M 172/F (F-mount)



TC 4M 172/C (C-mount)



Material	N.A.	Mass	5,7 Kg	Scale	1:1
Surface treatment	N.A.	Project/Environment/Instrument			
Component reference (ISO 7243)		Description			
Part no.	Rev.	Part no.	Rev.	1x45°	
43	30	1201	4400	Telecentric lens TC 4M 172	
201	501	2107	2013	2013	21
				Undimensioned	R 0.5
				Undimensioned	
				Undimensioned	
				Undimensioned	

Design	10/03/06	Name	A.Vismara	Drawing No.	18318-0-A-TC4M172	Sheet	1/1
Drawn	10/03/06	Name	A.Vismara	Reproducteur l'indication without specific authorisation			
Checked	X	Name	C.Sedazzoli	www.danfoss.com			

