

# TC 4M 144

BI-TELECENTRIC LENS FOR  
LARGE DETECTORS UP TO 1.2"  
(21.5 MM DIAGONAL)



Part Number	TC 4M 144 (/C /F)	
<b>Magnification</b>		0,122 +/- 3%
<b>Field Of View</b>	<b>(mm)</b>	
with IBIS4-6600		85,9 x 63,3
with KAI2020		96,9 x 72,7
with KAI 2093		116,3 x 65,4
with MI-MV40		134,8 x 99,0
with KAI4011/4021		124,0 x 124,0
<b>Working Distance</b>	<b>(mm)</b>	398,0 +/- 12
<b>Working F-number</b>		16
<b>Telecentricity</b>	<b>(degree)</b>	< 0,1
<b>Distortion</b>	<b>(%)</b>	< 0,1
<b>Field Depth</b>	<b>(mm)</b>	77,0
<b>CTF @50 lp/mm</b>	<b>(%)</b>	> 30
<b>Image side N.A.</b>		0,0310
<b>Object side N.A.</b>		0,0038
<b>Mount</b>		C or F
<b>Length</b>	<b>(mm)</b>	586,9
<b>External diameter</b>	<b>(mm)</b>	200,0
<b>Weight</b>	<b>(g)</b>	6170

## ACCESSORIES AND OPTIONS:



**Collimated/Telecentric illumination:**  
compatible with LTCL144 illuminator;  
green light suggested.



**Coaxial illumination:**  
not available.



**Back Light illumination:**  
Compatible with LTBK192 illuminator.



**Clamping Mechanics:**  
use the built-in holed flange to mount  
the lens.



**Direct illumination:**  
not available.

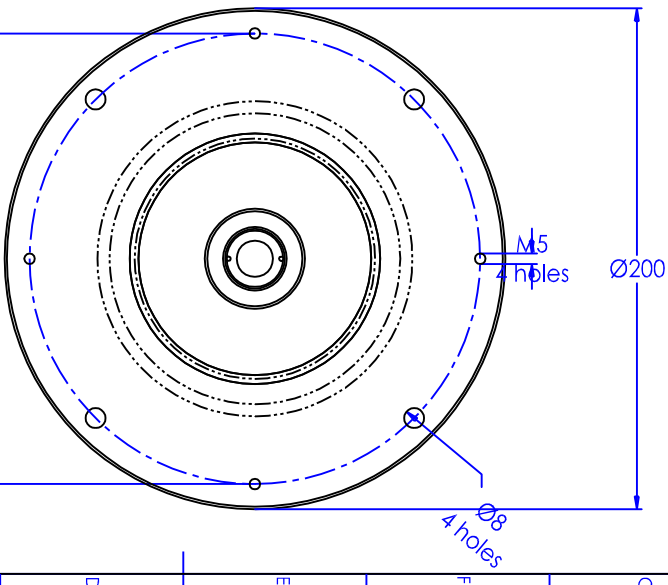
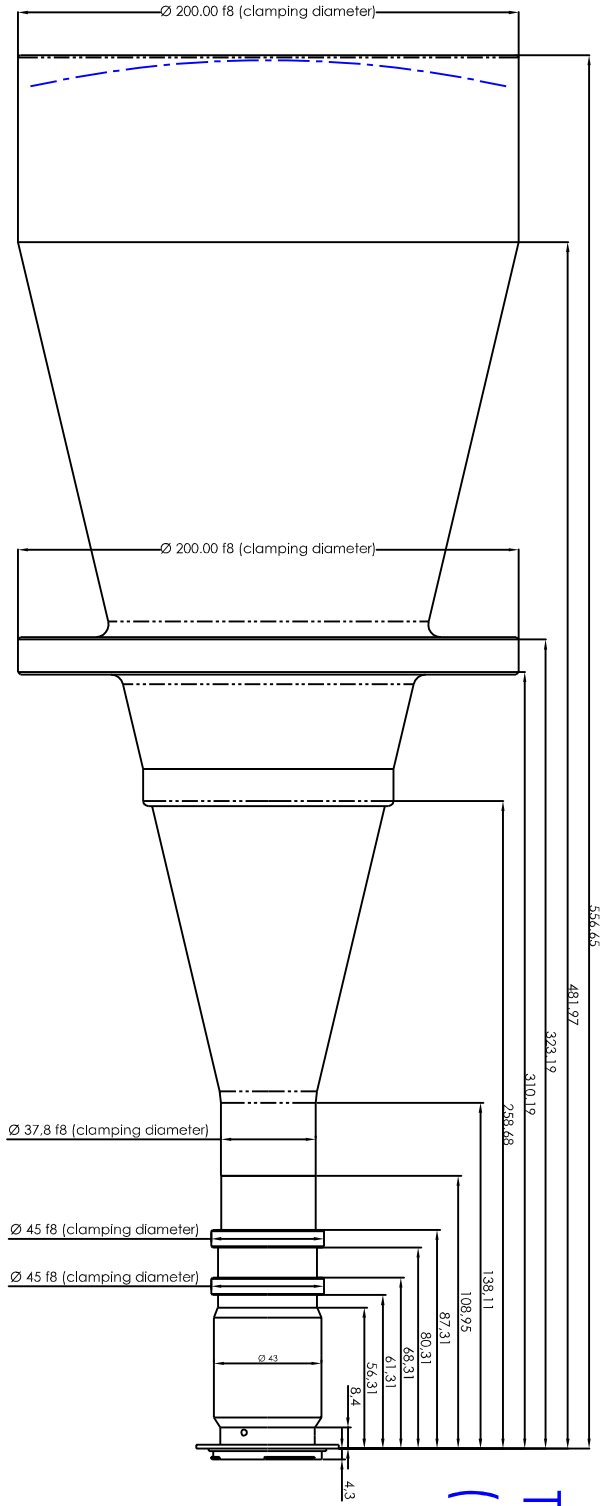


**Filters:**  
filters can be inserted in the rear part  
of the lens in the C-mount version.

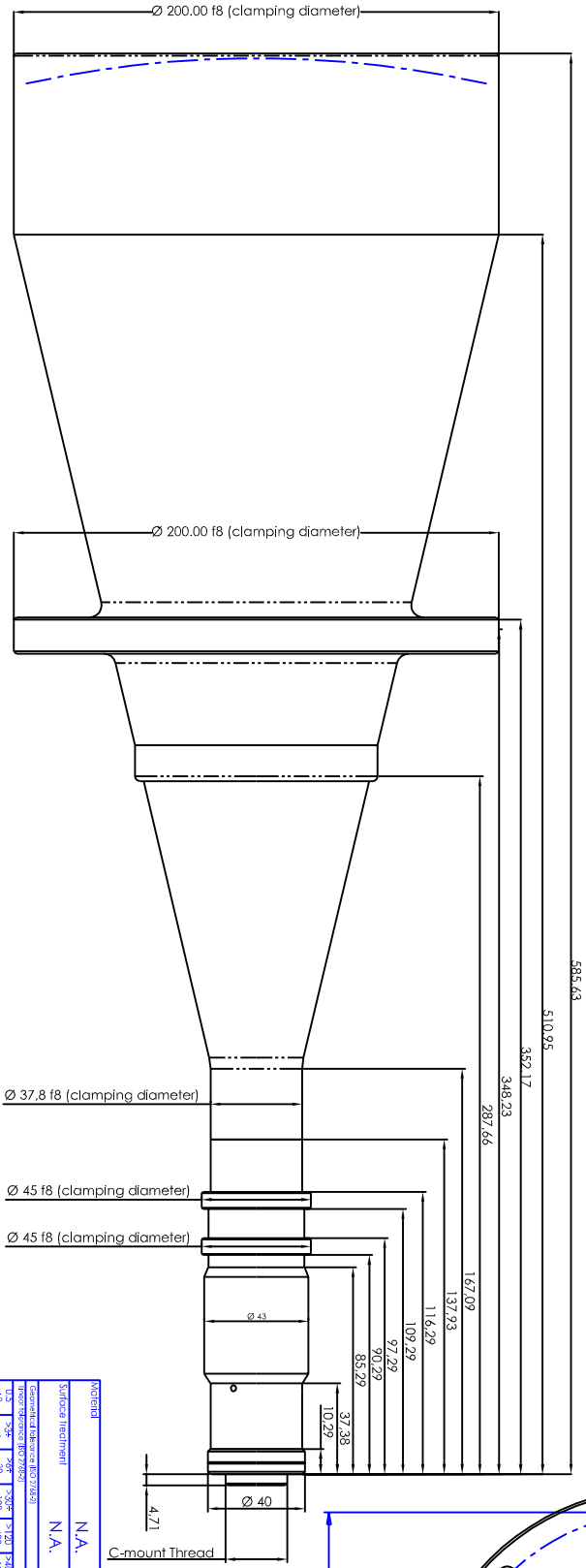
**MECHANICAL DRAWINGS: see next page >>**

Rev. No.	Description	Date	Name
A	First Light	10/03/06	A.Vismirca

# TC 4M 144/F (F-mount)



# TC 4M 144/C (C-mount)



Material	N.A.	Mass	5,7 kg	Scale	1:1				
Surface treatment	N.A.	Project/Component/Instrument							
Conformal coating (IEC 60729/82)	N.A.	Telecentric lens TC 4M 144							
Material reference (ISO 7243)	Material	Qty	Unit	Unit reference	Remarks				
4	36	30	120	400	1000	+2000	+4000	Undimensioned	R 0.5
20.1	50.1	20.2	20.3	20.5	20.8	21.2	22	22	22
Name									
Designed	10/03/06	A.Vismirca	Drawing No.						
Drew	10/03/06	A.Vismirca	18317-0-A-TC4M144						
Checked	X	C.Sedczik	Sheet						
1/1									

