

TC 2M 192

BI-TELECENTRIC LENS FOR
LARGE DETECTORS UP TO 1" (16 MM DIAGONAL)



Part Number	TC 2M 192 (/C /F)	
Magnification		0,067 +/- 3%
Field Of View	(mm)	
with IBIS4-6600		157,6 x 116,0
with KAI2020		177,7 x 133,3
with KAI 2093		213,2 x 119,9
Working Distance	(mm)	531,0 +/- 16
Working F-number		16
Telecentricity	(degree)	< 0,1
Distortion	(%)	< 0,1
Field Depth	(mm)	259,0
CTF @50 lp/mm	(%)	> 30
Image side N.A.		0,0310
Object side N.A.		0,0020
Mount		C or F
Length	(mm)	707,6
External diameter	(mm)	260,0
Weight	(g)	11800

ACCESSORIES AND OPTIONS:



Collimated/Telecentric illumination:
compatible with LTCL192 illuminator;
green light suggested.



Coaxial illumination:
not available.



Back Light illumination:
Compatible with LTBK192 illuminator.



Clamping Mechanics:
use the built-in holed flange to mount
the lens.



Direct illumination:
not available.

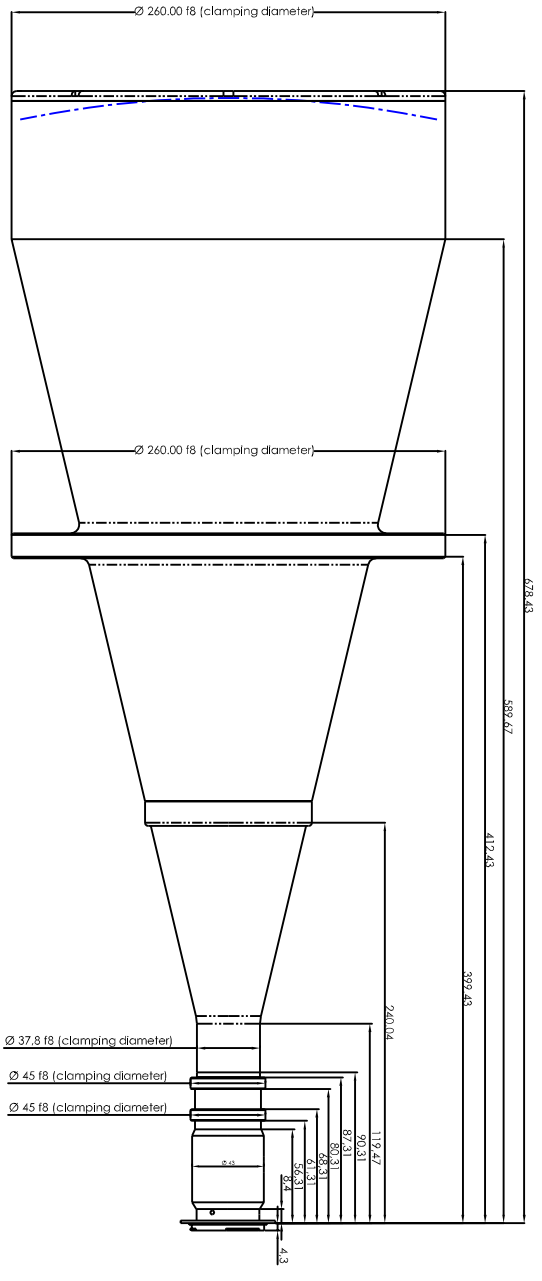


Filters:
filters can be inserted in the rear part
of the lens in the C-mount version.

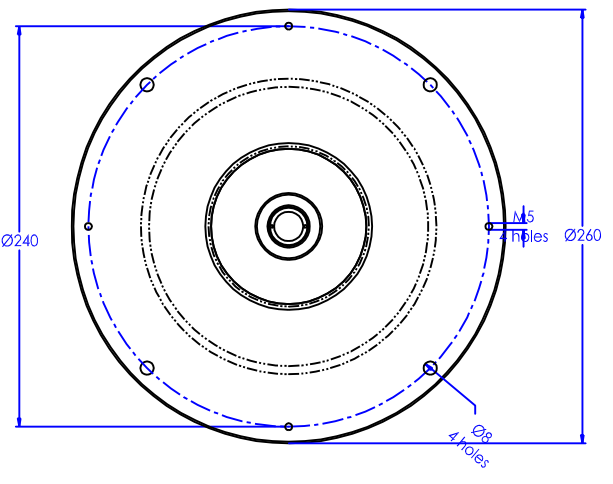
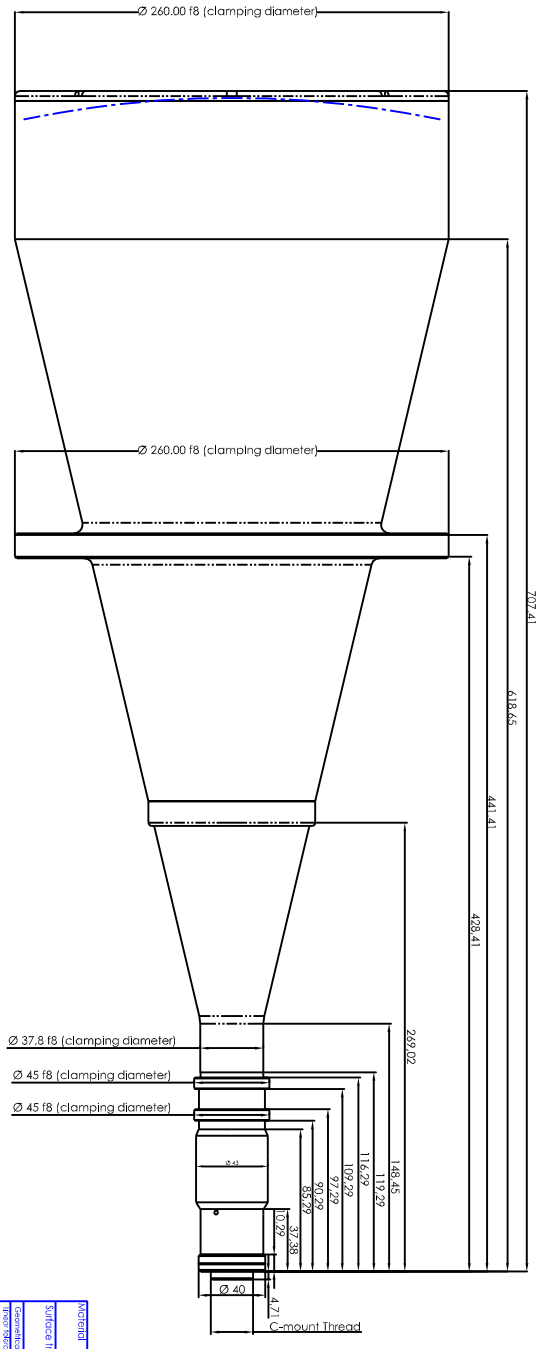
MECHANICAL DRAWINGS: see next page >>

Rev. No.	Description	Date	Name
A	First Light	10/03/06	A.Vismirca

TC 2M 192/F (F-mount)



TC 2M 192/C (C-mount)



Material	N.A.	Mass	5,7 Kg	Scale	1:1
Surface treatment	N.A.	Project/Production/Status	Telecentric lens TC 2M 192		
Assembly		Description	Assembly		
Design/Drawn/Checked	10/03/06 / A.Vismirca / C.Sedczik	Date	10/03/06	Sheet	1/1
<p>ORTO ENGINEERING S.p.A. - ASTRO Business Unit - Via Gramsci, 23/2 - 10136 - TORINO - +39 011 238918 - e-mail: info@orto-engineering.com - http://www.orto-engineering.com</p>					