

TC 2M 144

Bi-Telecentric Lens for Large Detectors up to 1" (16 mm diagonal)



| part number | | TC 2M 144 (/C/F) |
|--------------------------|----------|------------------|
| Magnification | | 0,089 +/- 3% |
| Field Of View | (mm) | |
| with IBIS4-6600 | | 118,1 x 86,9 |
| with KAI2020 | | 133,1 x 99,8 |
| with KAI 2093 | | 159,7 x 89,9 |
| Working Distance | (mm) | 398,0 +/- 12 |
| Working F-number | | 16 |
| Telecentricity | (degree) | < 0,1 |
| Distortion | (%) | < 0,1 |
| Field Depth | (mm) | 145,0 |
| CTF @50 lp/mm | (%) | > 30 |
| Image side N.A. | | 0,0310 |
| Object side N.A. | | 0,0027 |
| Mount | | C or F |
| Length | (mm) | 567,1 |
| External diameter | (mm) | 200,0 |
| Weight | (g) | 6900 |

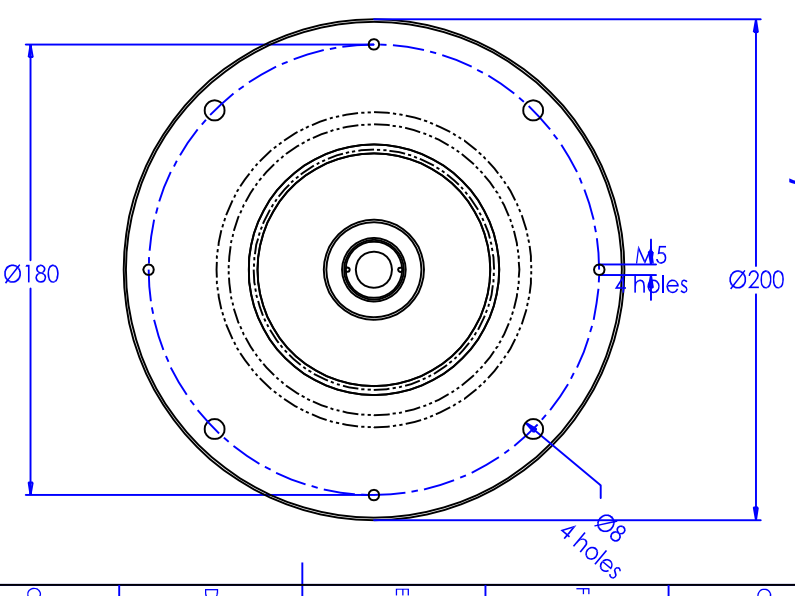
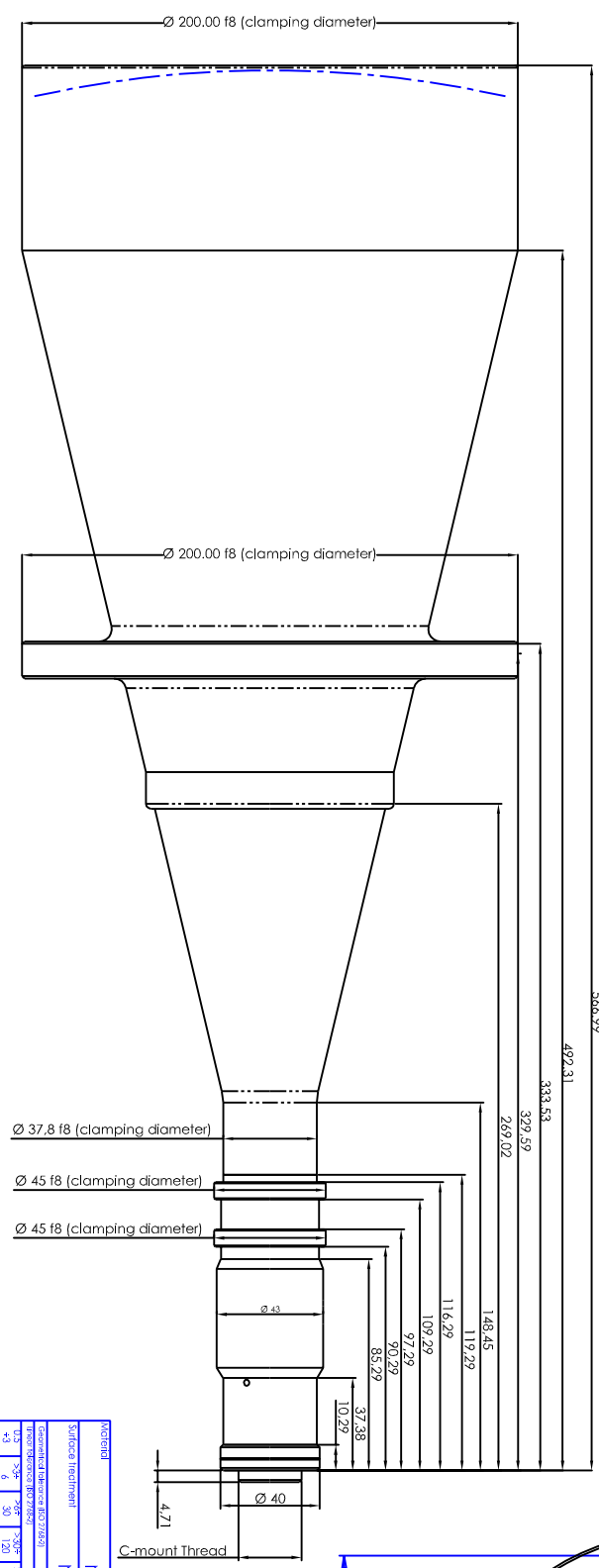
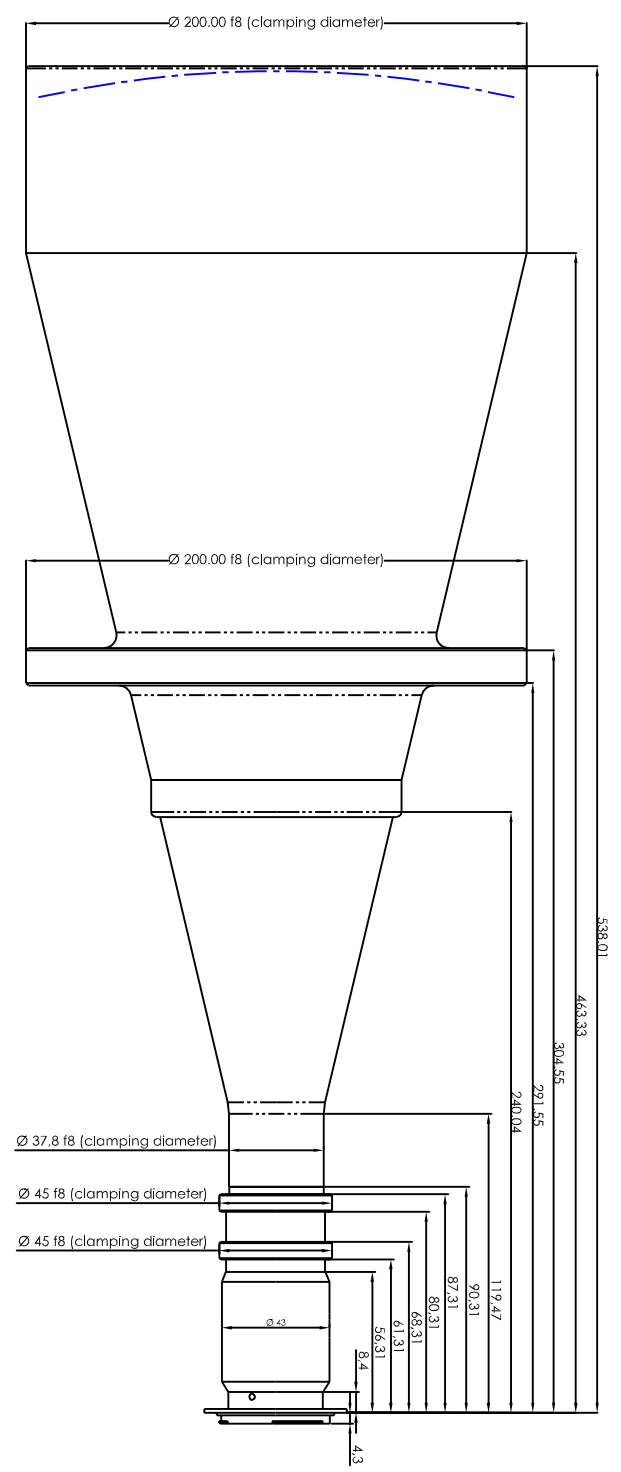
ACCESSORIES AND OPTIONS:



Collimated/Telecentric illumination:
Compatible with LTCL144 illuminator;
green light suggested.

| Rev. No. | Description | Date | Name |
|----------|-------------|----------|------------|
| A | First Light | 10/03/06 | A.Vismirca |

TC 2M 144/F (F-mount)



TC 2M 144/C (C-mount)

| | | | | | |
|-------------------------------|------|--------------------------------|----------------------------|-------------|-------------------|
| Material | N.A. | Mass | 5,7 Kg | Scale | 1:1 |
| Surface treatment | N.A. | Project/Requirement/Instrument | Telecentric lens TC 2M 144 | | |
| Standard reference (ISO 7243) | | Project/Requirement/Instrument | Assembly | | |
| Standard reference (ISO 7243) | | Date | 10/03/06 | Designed by | A.Vismirca |
| Standard reference (ISO 7243) | | Date | 10/03/06 | Drawing No. | 18331-0-A-TC2M144 |
| Standard reference (ISO 7243) | | Date | | Checked | C.Sedczidl |
| Standard reference (ISO 7243) | | Date | | Sheet | 1/1 |

