

BI-TELECENTRIC LENS FOR DETECTORS UP TO 2/3"



Part Number	TC 23 80	
Magnification		0,110 +/- 3%
Field Of View	(mm x mm)	
with 1/4" (3,6 x 2,7) detector		32,6 x 24,5
with 1/3" (4,8 x 3,6) detector		43,5 x 32,6
with 1/2" (6,4 x 4,8) detector		58,0 x 43,5
with 1/1.8" (7,13 x 5,37) detector		64,6 x 48,7
with 2/3" (8,8 x 6,6) detector		79,8 x 59,8
Working Distance	(mm)	227,7 +/- 7
Working F-number		8
Telecentricity	(degree)	< 0,08
Distortion	(%)	<0,1
Field Depth	(mm)	55,0
CTF @70 lp/mm	(%)	> 50
Image side N.A.		0,0620
Object side N.A.		0,0068
Mount		C
Length	(mm)	291,2
External diameter	(mm)	116,0
Weight	(g)	1600

ACCESSORIES AND OPTIONS:



Collimated/Telecentric illumination:
compatible with LTCL80 illuminator;
green light suggested.



Coaxial illumination:
compatible with LTCX64 illuminator.



Back Light illumination:
compatible with LTBK64 and LTBK80
illuminators.



Clamping Mechanics:
compatible with CMH080.

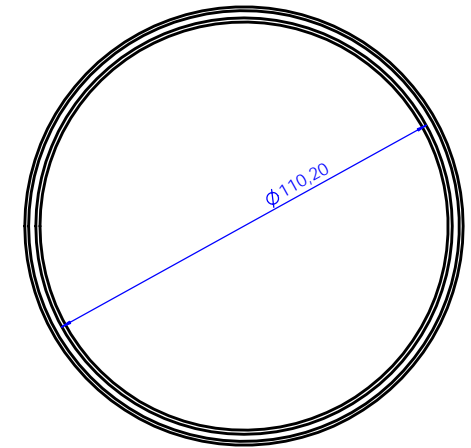
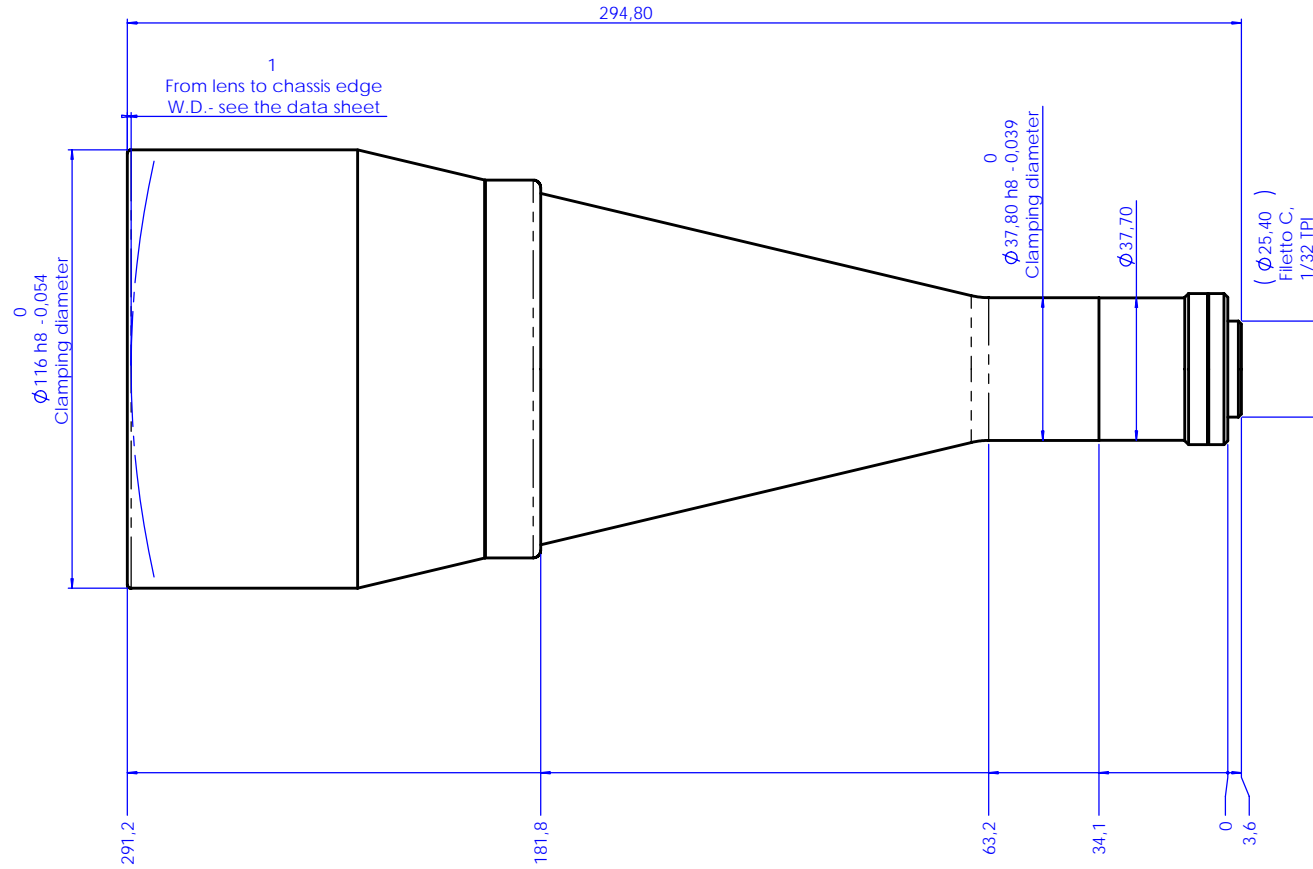


Direct illumination:
compatible with LTRN64 diffusive
anular illuminator.



Filters:
filters can be inserted in the rear part
of the lens, by means of TC Filter Kit.

Rev No.	Description	Date	Name
A	First light	10/03/06	A.Vismara



Material	N.A.	Mass	1,6 kg	Scale	1:1
Surface treatment	N.A.	Project-Prod.Item/Instrument	Telecentric lens 23 80		
Geometrical tolerance (ISO 2768-2)		Class	K	Undimensioned Bevels	1x45°
Linear tolerance (ISO 2768-2)		Class	m	Undimensioned Radii	R 0,5
0,5	>3-	>6-	>30-	>120	>400-
-3	6	30	120	400	1000
±0,1	±0,1	±0,2	±0,3	±0,5	±0,8
					±1,2
www.opto-engineering.com		Date	Name		
Designed		10/03/06	A.Vismara		
Draw		10/03/06	A.Vismara		
Checked		x	C.Sedazzari		
Drawing No.		02401-0-A			
Sheet		1/1			
Reproduction forbidden without specific authorization					
OPTO ENGINEERING S.r.l. - 46100 Mantova Italy - Via Cremona, 28 - Tel/Fax +39 0376 229585 - e-mail: info@opto-engineering.com - http://www.opto-engineering.com					