

## BI-TELECENTRIC LENS FOR DETECTORS UP TO 2/3"



<b>Model:</b>	<b>TC 23 64</b>	
<b>Magnification (X):</b>	0,138 +/- 3%	
<b>Object Field (mm):</b>	1/4" (3,6 x 2,7):	26,2 x 19,6
	1/3" (4,8 x 3,6):	34,9 x 26,2
	1/2" (6,4 x 4,8):	46,5 x 34,9
	1/1.8" (7,13 x 5,37):	51,8 x 39,0
	2/3" (8,8 x 6,6):	64,0 x 48,0
<b>Working Distance (mm):</b>	182,3 +/- 5	
<b>Working F-number:</b>	8	
<b>MTF @70 lp/mm (%):</b>	> 50	
<b>Field Depth (mm):</b>	36,0 @ F/ 8	
<b>Image side N.A.:</b>	0,062	
<b>Object side N.A.:</b>	0,009	
<b>Telecentricity (degree):</b>	< 0,08	
<b>Distortion (%):</b>	<0,07	
<b>Mount:</b>	C	
<b>Length (mm):</b>	246	
<b>Maximum external diameter (mm):</b>	100	
<b>Weigh (g):</b>	1100	

### ACCESSORIES AND OPTIONS:



**Collimated/Telecentric illumination:**  
compatible with LTCL64 illuminator;  
green light suggested.



**Coaxial illumination:**  
compatible with LTCX64 illuminator.



**Back Light illumination:**  
compatible with LTBK64 illuminator.



**Clamping Mechanics:**  
compatible with Teleclamp64.

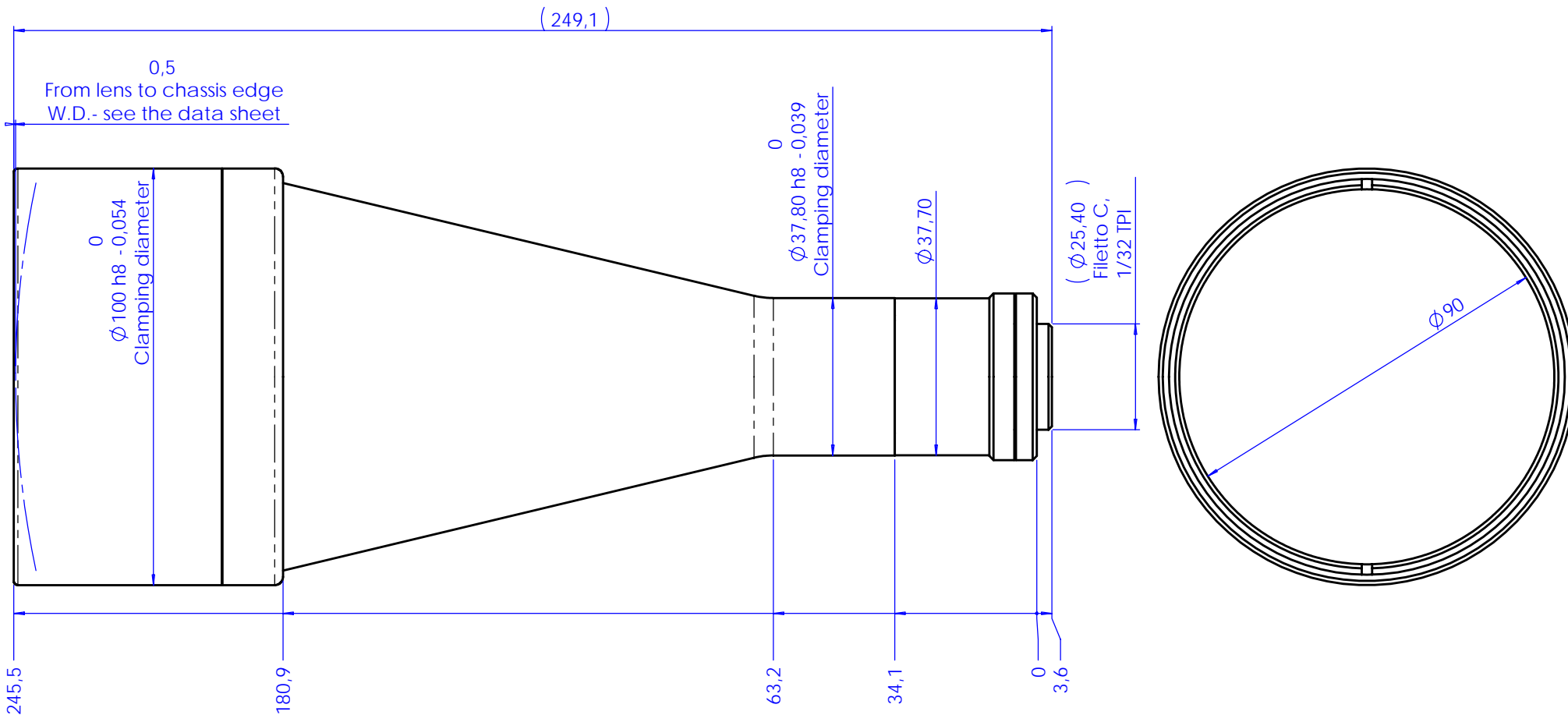


**Direct illumination:**  
compatible with LTRN64 diffusive  
anular illuminators.



**Filters:**  
filters can be inserted in the rear part  
of the lens, by means of TC Filter Kit.

Rev No.	Description	Date	Name
A	First light	01/05/03	A.Vismara
D	Redesign	15/02/06	A.Vismara



Material	N.A.			Mass	1.1 kg	Scale	1:1
Surface treatment	N.A.			Project-Prod.Item/Instrument Telecentric lens 23 64			
Geometrical tolerance (ISO 2768-2)			Class	K	Description		
Linear tolerance (ISO 2768-2)			Class	m	Undimensioned bevels	1x45°	Assembly
0.5	>3-	>6-	>30+	>120	>400+	>1000	
+3	6	30	120	+400	1000	+2000	R 0.5
±0.1	±0.1	±0.2	±0.3	±0.5	±0.8	±1.2	±2
www.opto-engineering.com			Date	Name		Drawing No.	
			Designed	15/02/06	A.Vismara	01401-0-D	
			Draw	15/02/06	A.Vismara	Sheet	
			Checked	X	C. Sedazzari	1/1	
OPTO ENGINEERING S.r.l. - 46100 Mantova Italy - Via Cremona, 28 - Tel. +39 0376 229585 - e-mail: info@opto-engineering.com - http://www.opto-engineering.com							