

BI-TELECENTRIC LENS FOR DETECTORS UP TO 2/3"



Part Number	TC 23 56	
Magnification		0,157 +/- 3%
Field Of View	(mm x mm)	
with 1/4" (3,6 x 2,7) detector		22,9 x 17,2
with 1/3" (4,8 x 3,6) detector		30,6 x 22,9
with 1/2" (6,4 x 4,8) detector		40,7 x 30,6
with 1/1.8" (7,13 x 5,37) detector		45,4 x 34,2
with 2/3" (8,8 x 6,6) detector		56,0 x 42,0
Working Distance	(mm)	159,3 +/- 5
Working F-number		8
Telecentricity	(degree)	< 0,08
Distortion	(%)	< 0,08
Field Depth	(mm)	27,0
CTF @70 lp/mm	(%)	> 45
Image side N.A.		0,0620
Object side N.A.		0,0098
Mount		C
Length	(mm)	225,0
External diameter	(mm)	80,0
Weight	(g)	950

ACCESSORIES AND OPTIONS:



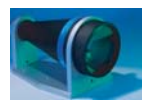
Collimated/Telecentric illumination:
compatible with LTCL56 illuminator;
green light suggested.



Coaxial illumination:
Compatible with LTCX64 illuminator.



Back Light illumination:
Compatible with LTBK64 and LTBK80 illuminators.



Clamping Mechanics:
compatible with CMH056.

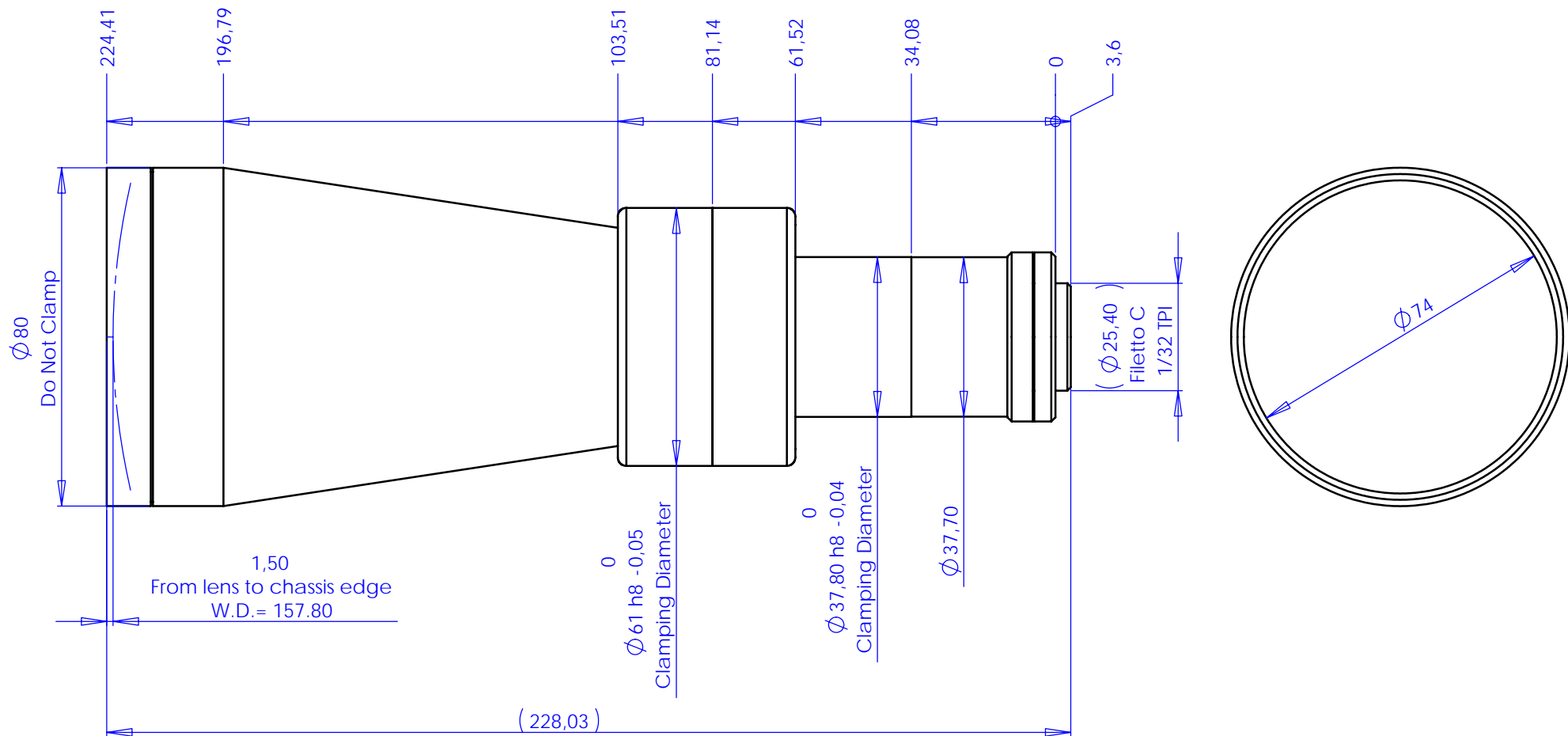


Direct illumination:
compatible with LTRN64 diffusive
anular illuminators.



Filters:
filters can be inserted in the rear part
of the lens, by means of TC Filter Kit.

Rev No.	Description	Date	Name
D	Assieme TC2356 - Nuova Versione	25/03/06	A. Bnà



Material			Mass	Scale 1:1									
Surface treatment			Project-Prod.Item/Instrument TC 23 56										
Geometrical tolerance (ISO 2768-2) Linear tolerance (ISO 2768-2)		<table border="1"> <thead> <tr> <th>Class</th> <th>K</th> <th>Undimensioned bevels</th> </tr> </thead> <tbody> <tr> <td>0.5</td> <td>>30+</td> <td>1x45°</td> </tr> <tr> <td>+3</td> <td>>6</td> <td>R 0.5</td> </tr> </tbody> </table>	Class	K	Undimensioned bevels	0.5	>30+	1x45°	+3	>6	R 0.5	Description Assembly	
Class	K	Undimensioned bevels											
0.5	>30+	1x45°											
+3	>6	R 0.5											
<table border="1"> <thead> <tr> <th>Class</th> <th>K</th> <th>Undimensioned radii</th> </tr> </thead> <tbody> <tr> <td>±0.1</td> <td>>30+</td> <td>±2</td> </tr> <tr> <td>±0.1</td> <td>>6</td> <td>±1.2</td> </tr> </tbody> </table>		Class	K	Undimensioned radii	±0.1	>30+	±2	±0.1	>6	±1.2	Date	Name	
Class	K	Undimensioned radii											
±0.1	>30+	±2											
±0.1	>6	±1.2											
 www.opto-engineering.com		Designed	25/03/06	A. Bnà									
		Draw	25/03/06	A. Bnà									
		Checked	X	C. Sedazzari									
Drawing No. 13661-0-D-TC2356		Sheet 1/1											
Reproduction forbidden without specific authorization													