

BI-TELECENTRIC LENS FOR DETECTORS UP TO 2/3"



Model:	TC 23 172	
Magnification (X):	0,051 +/- 3%	
Object Field (mm):	1/4" (3,6 x 2,7):	70,9 x 53,2
	1/3" (4,8 x 3,6):	94,6 x 70,9
	1/2" (6,4 x 4,8):	126,1 x 94,6
	1/1.8" (7,13 x 5,37):	140,5 x 105,8
	2/3" (8,8 x 6,6):	173,4 x 130,1
Working Distance (mm):	531,0 +/- 16	
Working F-number:	8	
MTF @70 lp/mm (%):	> 40	
Field Depth (mm):	240,0 @	F/ 8
Image side N.A.:	0,062	
Object side N.A.:	0,003	
Telecentricity (degree):	< 0,08	
Distortion (%):	<0,1	
Mount:	C	
Length (mm):	630	
Maximum external diameter (mm):	260	
Weigh (g):	11400	

ACCESSORIES AND OPTIONS:



Collimated/Telecentric illumination:
compatible with LTCL192 illuminator;
green lighth suggested.



Coaxial illumination:
not available.



Back Ligth illumination:
compatible with LTBK96 illuminator.



Clamping Mechanics:
use the built-in holed flange to mount
the lens.

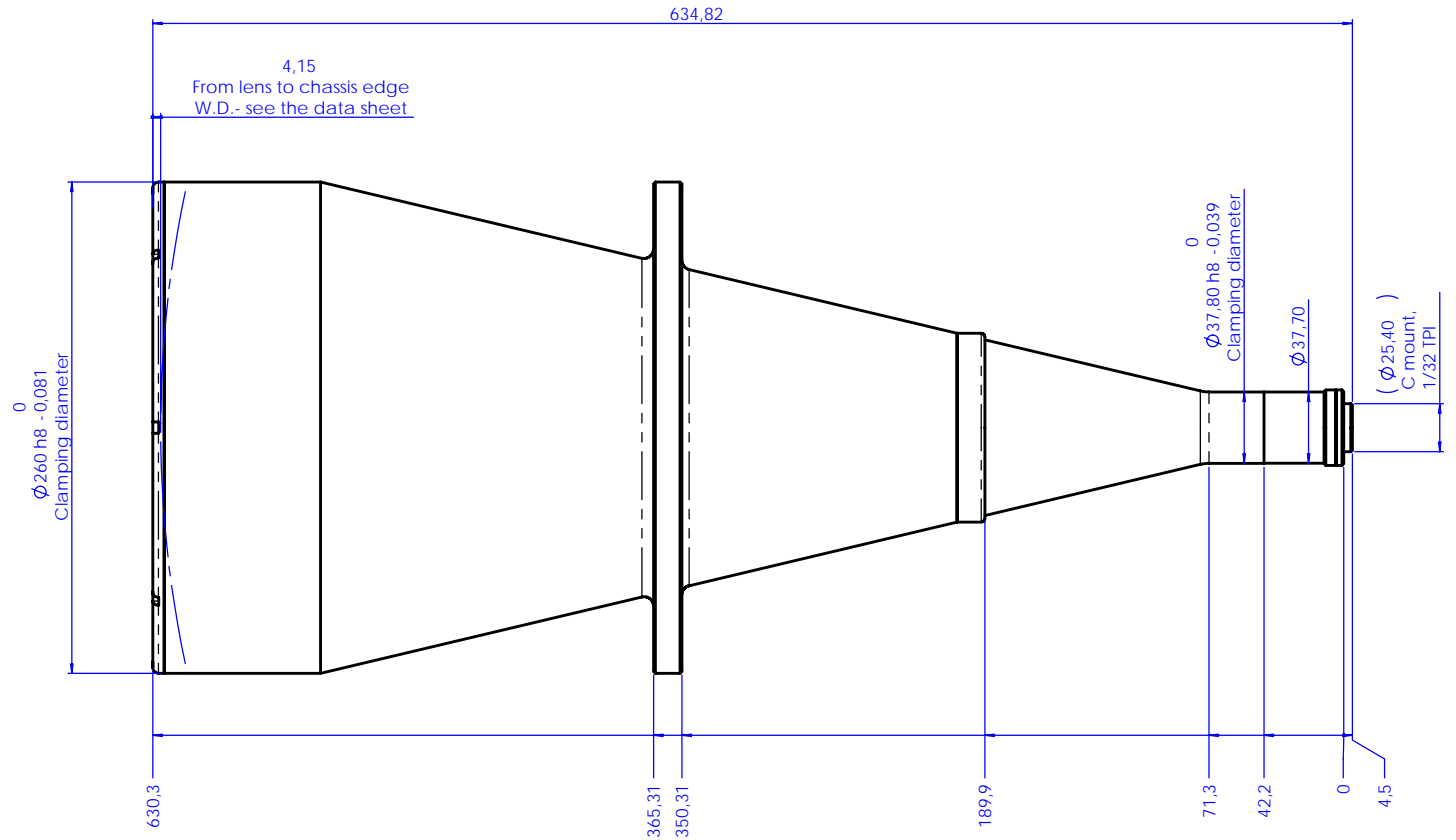
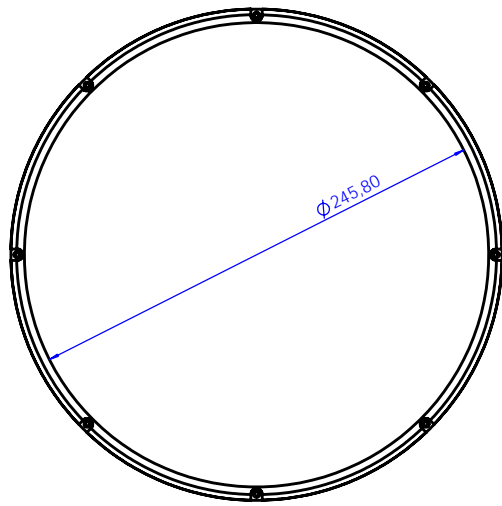
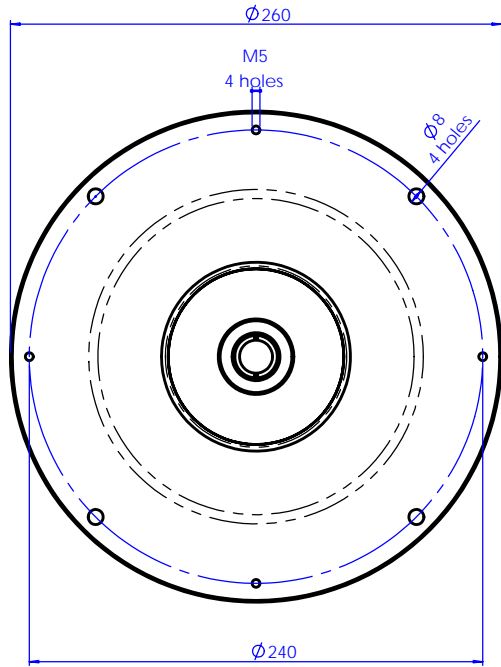


Direct illumination:
not available.



Filters:
filters can be inserted in the rear part
of the lens, by means of TC Filter Kit.

Rev No.	Description	Date	Name
A	First light	31/01/07	A.Vismara



Material	N.A.	Mass	11.4 kg	Scale	1:2				
Surface treatment	N.A.	Project-Prod.Item/Instrument	Telecentric lens 23 172						
Geometrical tolerance (ISO 2768-2)		Class	K	Undimensioned	Bevels				
Linear tolerance (ISO 2768-2)		Class	m	Undimensioned	radii				
0.5	>3-	>6-	>30-	>120	>400-	>1000	>2000	1x45°	Description Assembly
-3	6	30	120	400	1000	2000	4000	R 0.5	
±0.1	±0.1	±0.2	±0.3	±0.5	±0.8	±1.2	±2		
www.opto-engineering.com		Date	Name	Drawing No.		Sheet			
Designed		31/01/07	A.Vismara	02531-0-A		1/1			
Draw		31/01/07	A.Vismara						
Checked		X	C.Sedazzari	Reproduction forbidden without specific authorization					
OPTO ENGINEERING S.r.l. - 46100 Mantova Italy - Via Cremona, 29 - Tel. +39 0376 229585 - e-mail: info@opto-engineering.com - http://www.opto-engineering.com									