

BI-TELECENTRIC LENS FOR DETECTORS UP TO 2/3"



Model:	TC 23 07	
Magnification (X):	1,33 +/- 3%	
Object Field (mm):	1/4" (3,6 x 2,7):	2,7 x 2,0
	1/3" (4,8 x 3,6):	3,6 x 2,7
	1/2" (6,4 x 4,8):	4,8 x 3,6
	1/1.8" (7,13 x 5,37):	5,3 x 4,0
	2/3" (8,8 x 6,6):	6,6 x 5,0
Working Distance (mm):	61,2 +/- 2	
Working F-number:	11	
MTF @70 lp/mm (%):	> 30	
Field Depth (mm):	0,5 @ F/ 11	
Image side N.A.:	0,045	
Object side N.A.:	0,060	
Telecentricity (degree):	< 0,08	
Distortion (%):	< 0,08	
Mount:	C	
Length (mm):	78,5	
Maximum external diameter (mm):	28,0	
Weigh (g):	120	

ACCESSORIES AND OPTIONS:



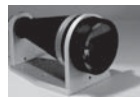
Collimated/Telecentric illumination:
not necessary/recommended at this magnification.



Coaxial illumination:
not available.



Back Light illumination:
Compatible with LTBK36 illuminator.



Clamping Mechanics:
the lens is light and can be directly held by the camera.

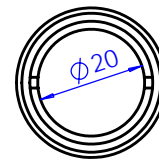
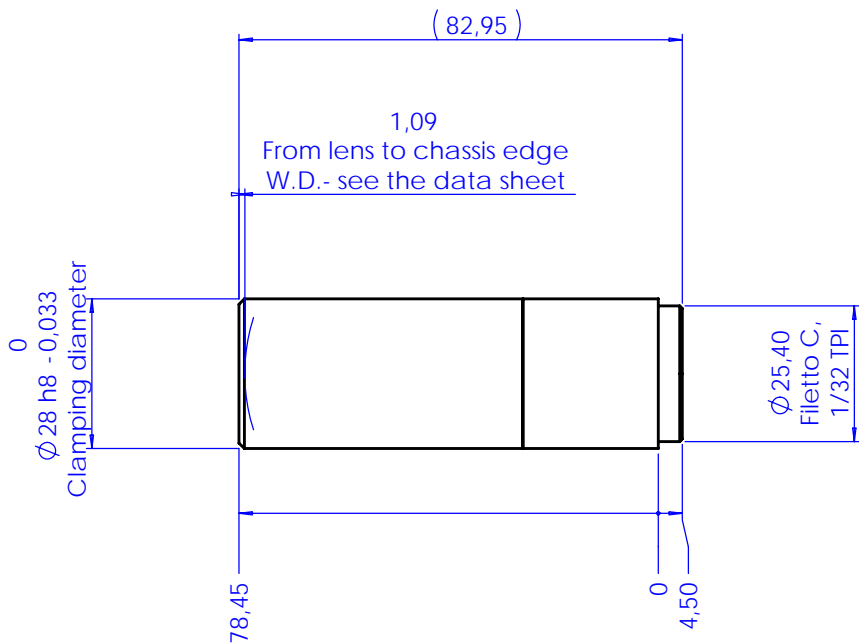


Direct illumination:
compatible with LTRN23 diffusive anular illuminators.



Filters:
filter caps available on request.

Rev No.	Description	Date	Name
A	Layout	07/06/05	A.Vismara



Material	N.A.			Mass	0.12 kg	Scale	1:1
Surface treatment	N.A.			Project-Prod.Item/Instrument Telecentric lens 23 07			
Geometrical tolerance (ISO 2768-2)			Class	K	Undimensioned bevels		
Linear tolerance (ISO 2768-2)			Class	m	Undimensioned radii		
0.5	>3-	>6-	>30-	>120	>400-	>1000	>2000
+3	6	30	120	+400	+1000	+2000	+4000
± 0.1	± 0.1	± 0.2	± 0.3	± 0.5	± 0.8	± 1.2	± 2
Date			Name				
Designed			07/06/05	A.Vismara			
Draw			07/06/05	A.Vismara			
Checked			X	C. Sedazzari			
Drawing No.			02021-0-A		Sheet		
					1/1		
www.opto-engineering.com OPTO ENGINEERING S.r.l. - 46100 Mantova Italy - Via Cremona, 28 - Tel. +39 0376 229585 - e-mai: info@opto-engineering.com - http://www.opto-engineering.com							

Reproduction forbidden without specific authorization