

BI-TELECENTRIC LENS FOR DETECTORS UP TO 1/3"



Part Number	TC 13 64	
Magnification		0,074 +/- 3%
Field Of View	(mm x mm)	
with 1/4" (3,6 x 2,7) detector		48,9 x 36,7
with 1/3" (4,8 x 3,6) detector		65,2 x 48,9
with 1/2" (6,4 x 4,8) detector		diam. = 65,2
with 1/1.8" (7,13 x 5,37) detector		diam. x 72,9
with 2/3" (8,8 x 6,6) detector		n.a.
Working Distance	(mm)	182,3 +/- 5
Working F-number		8
Telecentricity	(degree)	< 0,08
Distortion	(%)	<0,07
Field Depth	(mm)	124,0
CTF @70 lp/mm	(%)	> 40
Image side N.A.		0,0620
Object side N.A.		0,0043
Mount		C
Length	(mm)	212,0
External diameter	(mm)	100,0
Weight	(g)	1000

ACCESSORIES AND OPTIONS:



Collimated/Telecentric illumination:
compatible with LTCL64 illuminator;
green light suggested.



Coaxial illumination:
Compatible with LTCX64 illuminator.



Back Light illumination:
Compatible with LTBK64 and LTBK80
illuminator.



Clamping Mechanics:
compatible with CMH064.

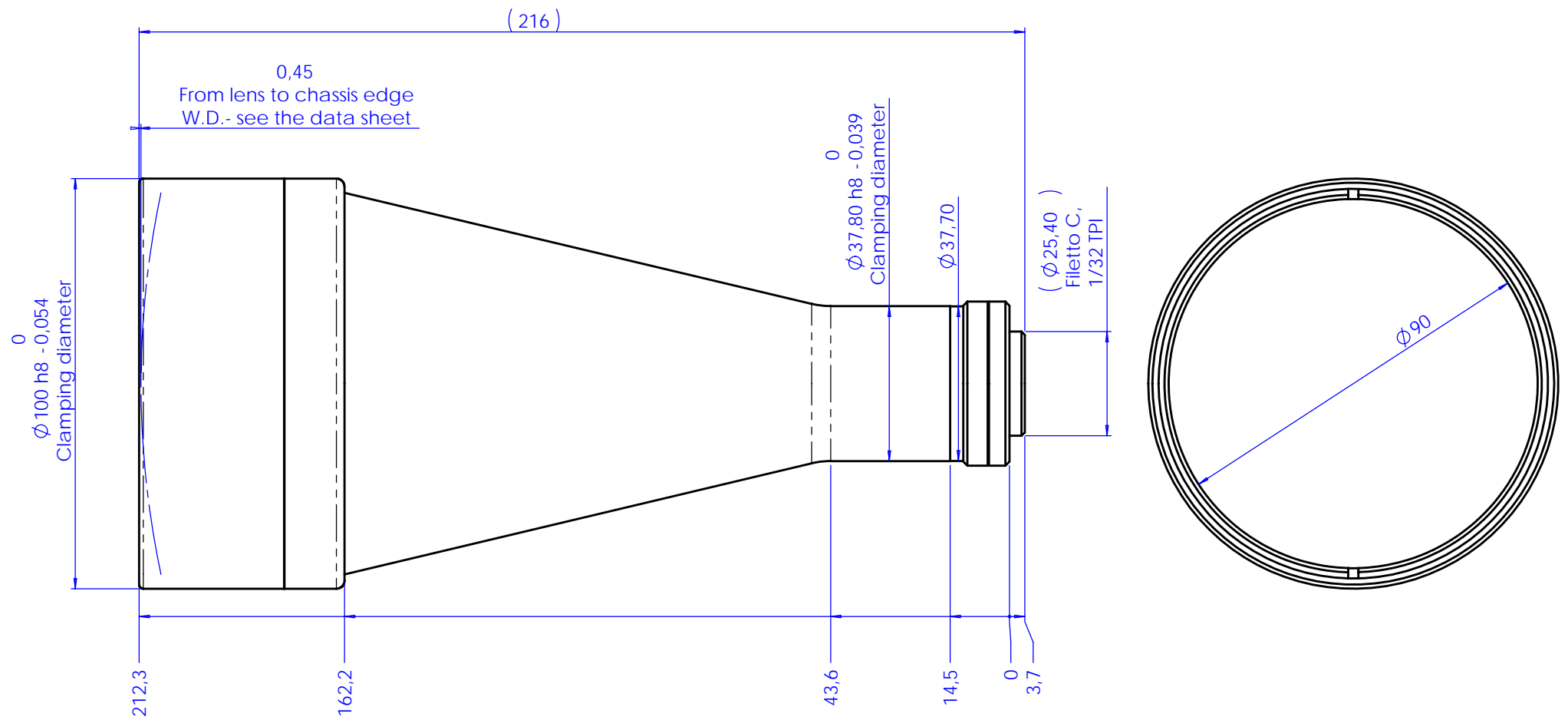


Direct illumination:
compatible with LTRN64 diffusive
anular illuminators.



Filters:
TC Filter Kit option not available.

Rev No.	Description	Date	Name
A	First light	01/05/03	A.Vismara
D	Redesign	24/03/06	A.Vismara



Material	N.A.			Mass	1.0 kg	Scale	1:1
Surface treatment	N.A.			Project-Prod.Item/Instrument Telecentric lens 13 64			
Geometrical tolerance (ISO 2768-2)			Class	K	Description		
Linear tolerance (ISO 2768-2)			Class	m	Undimensioned bevels	1x45°	Assembly
0.5	>3-	>6-	>30-	>120	>400-	>1000	
+3	6	30	120	+400	+1000	+2000	R 0.5
±0.1	±0.1	±0.2	±0.3	±0.5	±0.8	±1.2	±2
			Date	Name			
Designed			15/02/06	A.Vismara			
Draw			24/03/06	A.Vismara			
Checked			X	C. Sedazzari			
www.opto-engineering.com			Drawing No.		01051-0-D		Sheet
OPTO ENGINEERING S.r.l. - 46100 Mantova Italy - Via Cremona, 28 - Tel. +39 0376 229585 - e-mail: info@opto-engineering.com - http://www.opto-engineering.com							1/1

