

BI-TELECENTRIC LENS FOR DETECTORS UP TO 1/3"



Part Number	TC 13 36	
Magnification		0,133 +/- 3%
Field Of View	(mm x mm)	
with 1/4" (3,6 x 2,7) detector		27,0 x 20,2
with 1/3" (4,8 x 3,6) detector		36,0 x 27,0
with 1/2" (6,4 x 4,8) detector		diam. = 36,0
with 1/1.8" (7,13 x 5,37) detector		diam. = 40,2
with 2/3" (8,8 x 6,6) detector		n.a.
Working Distance	(mm)	103,5 +/- 3
Working F-number		8
Telecentricity	(degree)	< 0,08
Distortion	(%)	< 0,08
Field Depth	(mm)	38,0
CTF @70 lp/mm	(%)	> 50
Image side N.A.		0,0620
Object side N.A.		0,0083
Mount		C
Length	(mm)	133,0
External diameter	(mm)	61,0
Weight	(g)	460

ACCESSORIES AND OPTIONS:



Collimated/Telecentric illumination:
compatible with LTCL36 illuminator;
green light suggested.



Coaxial illumination:
Compatible with LTCX36 and LTBK48
illuminators.



Back Light illumination:
Compatible with LTBK36 illuminator.



Clamping Mechanics:
compatible with CMH036.

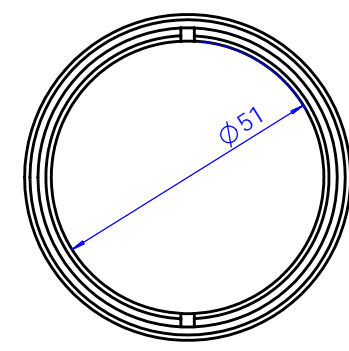
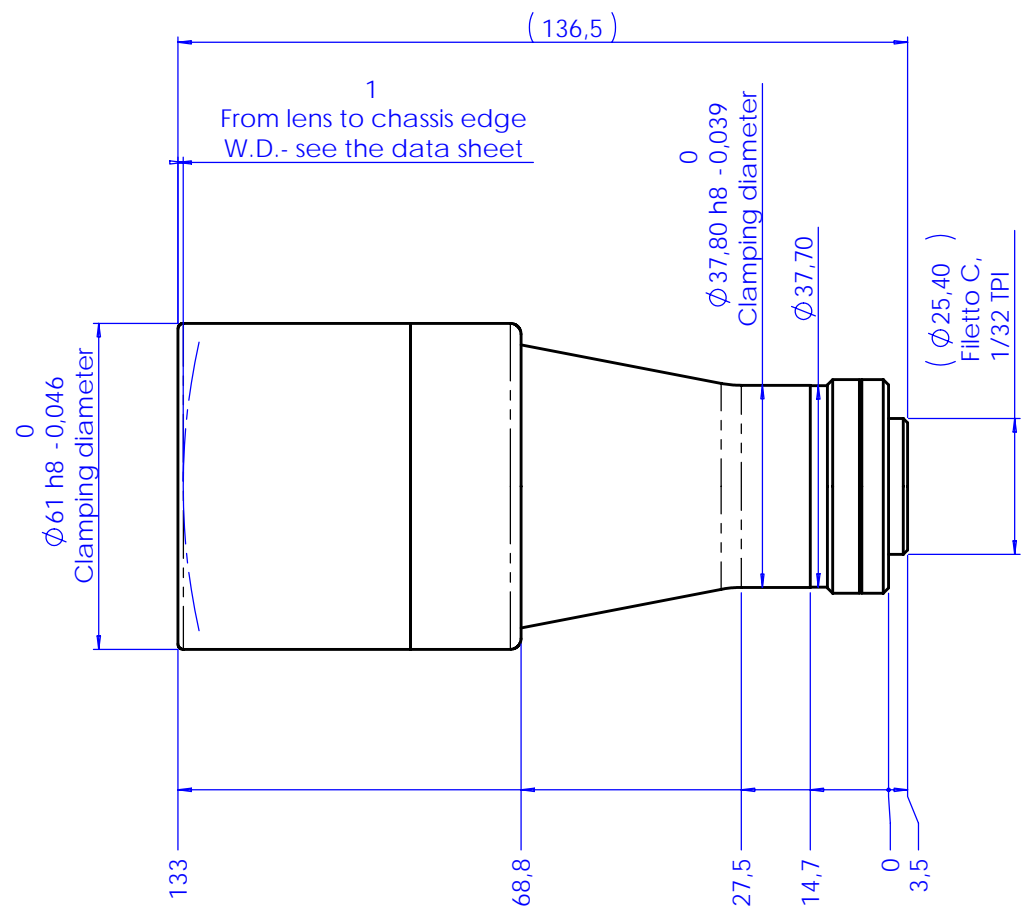


Direct illumination:
compatible with LTRN36 diffusive
anular illuminators.



Filters:
TC Filter Kit option not available.

Rev No.	Description	Date	Name
A	First light	01/05/03	A.Vismara
D	Redesign	24/03/06	A.Vismara



Material	N.A.			Mass	0.46 kg	Scale	1:1
Surface treatment	N.A.			Project-Prod.Item/Instrument Telecentric lens 13 36			
Geometrical tolerance (ISO 2768-2)			Class	K	Description		
Linear tolerance (ISO 2768-2)			Class	m	Undimensioned bevels	1x45°	Assembly
0.5 +3	>3- 6	>6- 30	>30- 120	>120 +400	>400- 1000	>1000 +2000	
±0.1	±0.1	±0.2	±0.3	±0.5	±0.8	±1.2	R 0.5
			Date	Name	Drawing No.		
Designed			15/02/06	A.Vismara	01009-0-D		
Draw			24/03/06	A.Vismara	Sheet		
Checked			X	C. Sedazzari	1/1		
www.opto-engineering.com OPTO ENGINEERING S.r.l. - 46100 Mantova Italy - Via Cremona, 28 - Tel. +39 0376 229585 - e-mail: info@opto-engineering.com - http://www.opto-engineering.com							

