

BI-TELECENTRIC LENS FOR DETECTORS UP TO 1/2"



Part Number		TC 12 48
Magnification		0,134 +/- 3%
Field Of View	(mm x mm)	
with 1/4" (3,6 x 2,7) detector		26,9 x 20,2
with 1/3" (4,8 x 3,6) detector		35,9 x 26,9
with 1/2" (6,4 x 4,8) detector		47,8 x 35,9
with 1/1.8" (7,13 x 5,37) detector		53,3 x 40,1
with 2/3" (8,8 x 6,6) detector		diam. = 49,3
Working Distance	(mm)	134,6 +/- 4
Working F-number		8
Telecentricity	(degree)	< 0,1
Distortion	(%)	< 0,1
Field Depth	(mm)	37,0
CTF @70 lp/mm	(%)	> 40
Image side N.A.		0,0620
Object side N.A.		0,0083
Mount		C
Length	(mm)	181,5
External diameter	(mm)	75,0
Weight	(g)	700

Possible vignetting at the image corners with 1/1.8" detectors

ACCESSORIES AND OPTIONS:



Collimated/Telecentric illumination:
compatible with LTCL48 illuminator;
green light suggested.



Coaxial illumination:
Compatible with LTCX36 illuminator.



Back Light illumination:
Compatible with LTBK36 and LTBK48
illuminator.



Clamping Mechanics:
compatible with CMH048.

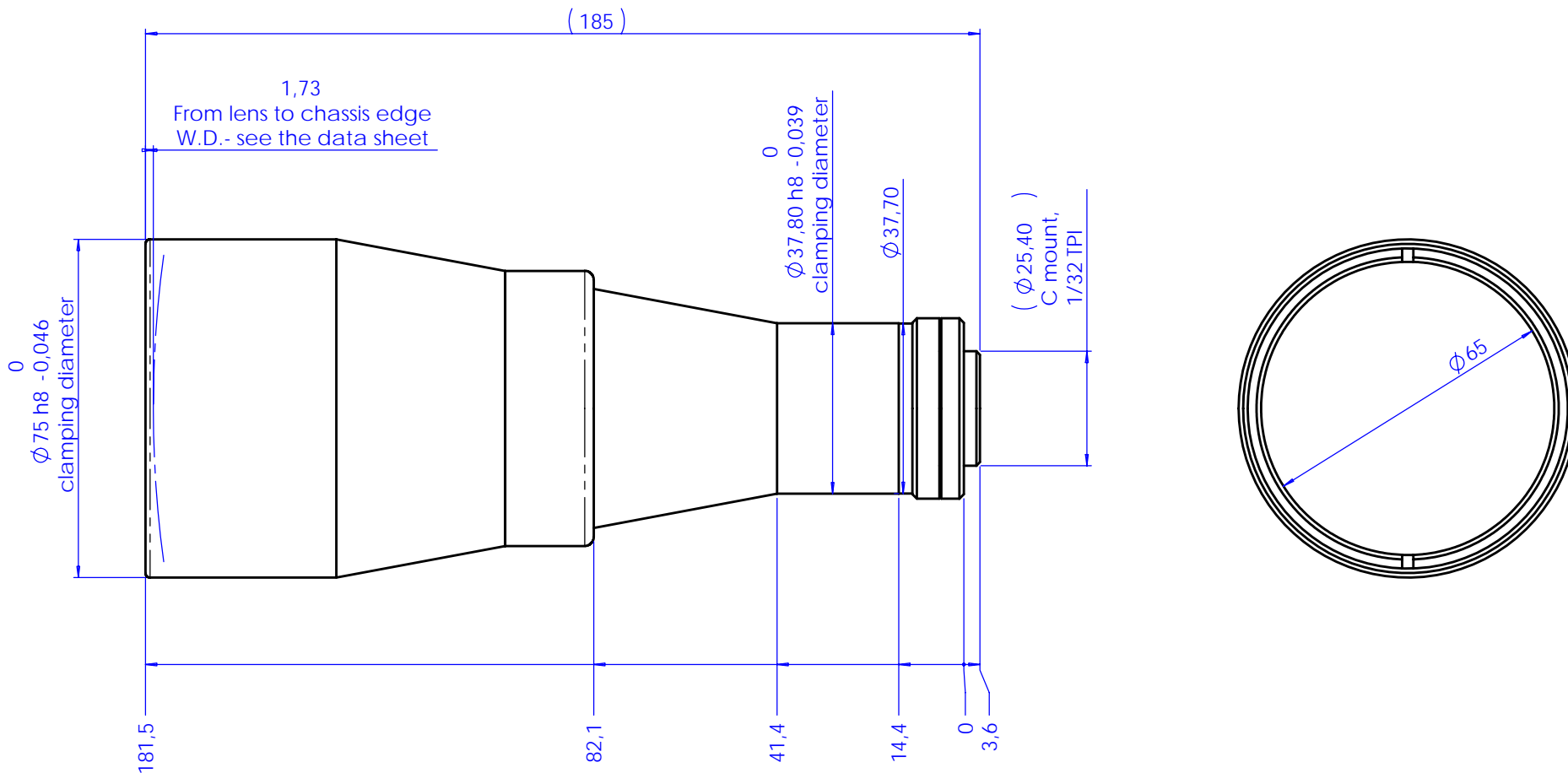


Direct illumination:
compatible with LTRN64 diffusive
anular illuminators.



Filters:
filters can be inserted in the rear part
of the lens, by means of TC Filter Kit.

Rev No.	Description	Date	Name
A	First light	07/02/07	A.Vismara



Material	N.A.			Mass	0.7 kg	Scale	1:1
Surface treatment	N.A.			Project-Prod.Item/Instrument Telecentric lens 12 48			
Geometrical tolerance (ISO 2768-2)			Class	K	Description		
Linear tolerance (ISO 2768-2)			Class	m	Undimensioned bevels	1x45°	Assembly
0.5	>3-	>6-	>30+	>120	>400+	>1000	
+3	6	30	120	+400	1000	+2000	R 0.5
±0.1	±0.1	±0.2	±0.3	±0.5	±0.8	±1.2	±2
			Date		Name		
			Designed	07/02/07	A.Vismara		
			Draw	07/02/07	A.Vismara		
www.opto-engineering.com			Checked	X	C. Sedazzari		
			Drawing No.		01321-0-A		Sheet
Reproduction forbidden without specific authorization							