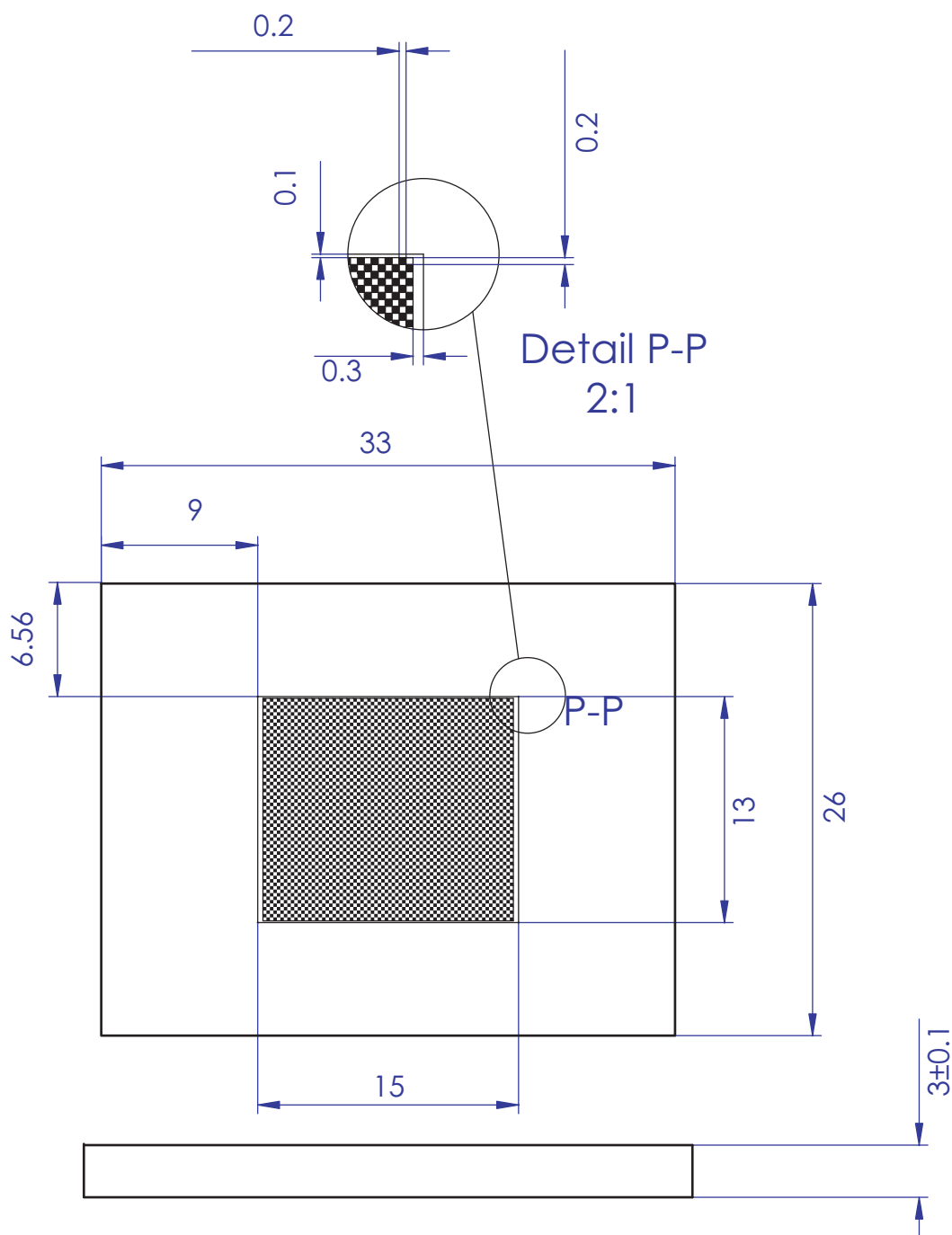


PT004-009

CALIBRATION PATTERN FOR 04-TYPE UP TO 09-TYPE TCs



WWW.OPTO-ENGINEERING.COM



Part Number		PT004-009
Compatible Telecentric Types		04, 07 and 09
Compatible Pattern Mounts		CMPH004-024
Dimensions (w x h)	(mm x mm)	33 x 26
Thickness	(mm)	3,0
Active Area (w x h)	(mm x mm)	15 x 13
Squares (width & spacing)	(mm)	0,2
Dimensional Accuracy	(micron)	1,29
Surface Quality		60-40
Flatness		$\lambda/2$ per cm^2
Material		Soda Lime Glass
Coating		Chrome