

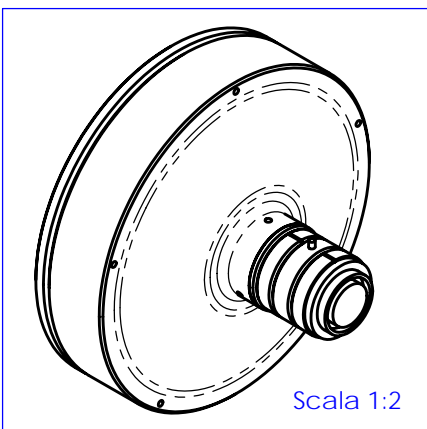
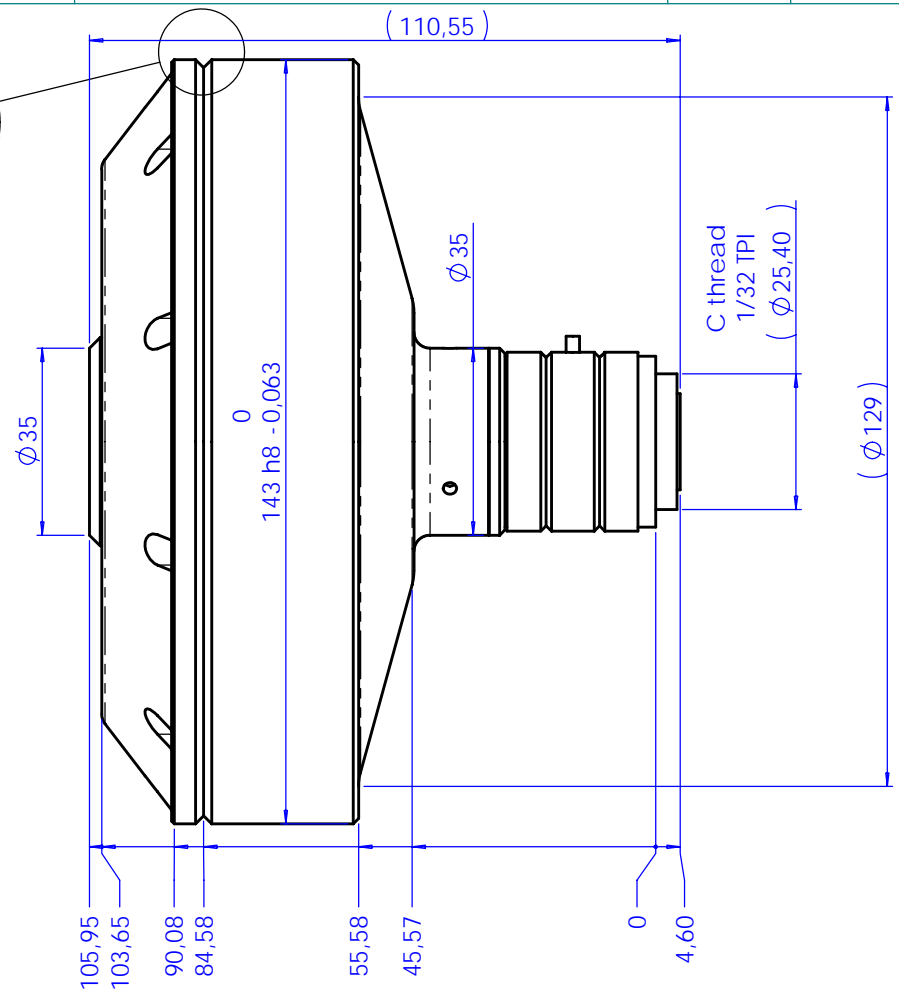
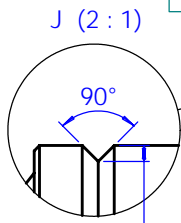
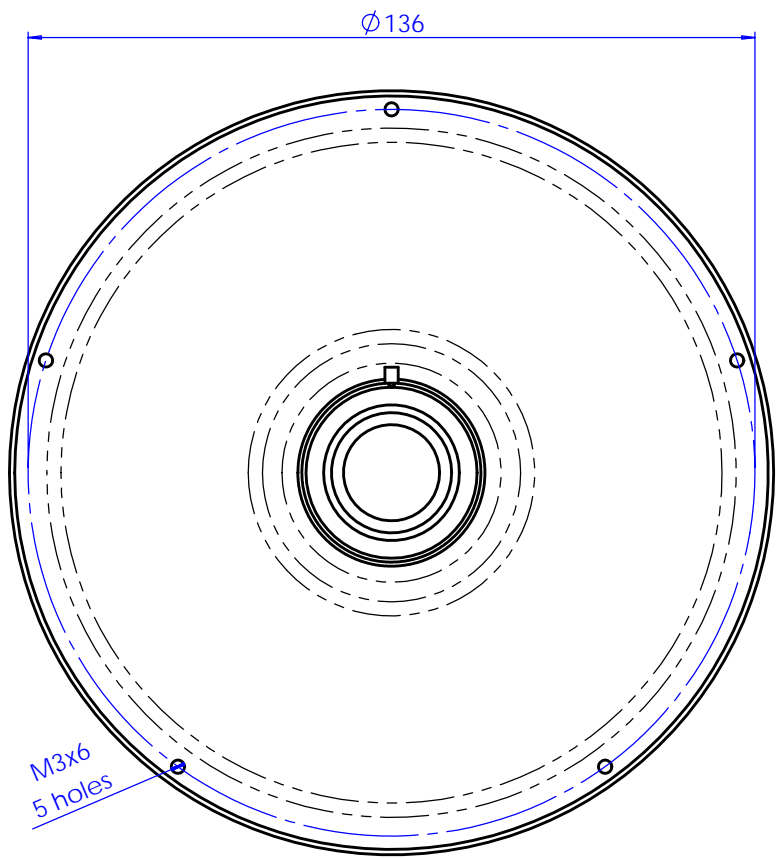
**PCCD013**

# Catadioptric Pericentric lens for 1/3" detectors



part number		PCCD013
<b>Detector Size</b>		1/3"
<b>min. FOV (diam x height)</b>	(mm x mm)	7,5 x 5
<b>typ. FOV (diam x height)</b>	(mm x mm)	15 x 10
<b>max. FOV (diam x height)</b>	(mm x mm)	25 x 17
<b>Wavelength range</b>	(nm)	450 .. 650
<b>Working distance</b>	(mm)	28 .. 56
<b>CTF @ 50 lp/mm</b>	(%)	> 35
<b>F-number</b>		6-32
<b>Diameter</b>	(mm)	143
<b>Length</b>	(mm)	110,5
<b>Weight</b>	(g)	980
<b>Mount</b>		C

Rev No.	Description	Date	Name
A	First light	01/12/09	A.Vismara



Material	N.A.		Mass	0,98 kg	Scale	1:1						
Surface treatment	N.A.		Project-Prod.Item/Instrument	PCCD01x								
Geometrical tolerance (ISO 2768-2)		Class	K	Undimensioned bevels	1x45°	Description ASSEMBLY						
Linear tolerance (ISO 2768-2)		Class	m	Undimensioned radii	R 0.5							
0.5	>3-	>6-	>30-	>120	>400-	>1000	>2000	Date	Name	Drawing No.	Sheet	
+3	6	30	120	+400	1000	+2000	+4000					
±0.1	±0.1	±0.2	±0.3	±0.5	±0.8	±1.2	±2	Designed	01/12/09	A.Vismara	14409-0-A	1/1
www.opto-engineering.com		Draw	01/12/09	A.Vismara	Checked		X	C. Sedazzari	Reproduction forbidden without specific authorization			
OPTO ENGINEERING S.r.l. - 46100 Mantova Italy - Via Cremona, 29/2 - Tel. +39 0376 263525 - e-mail: info@opto-engineering.com - http://www.opto-engineering.com												