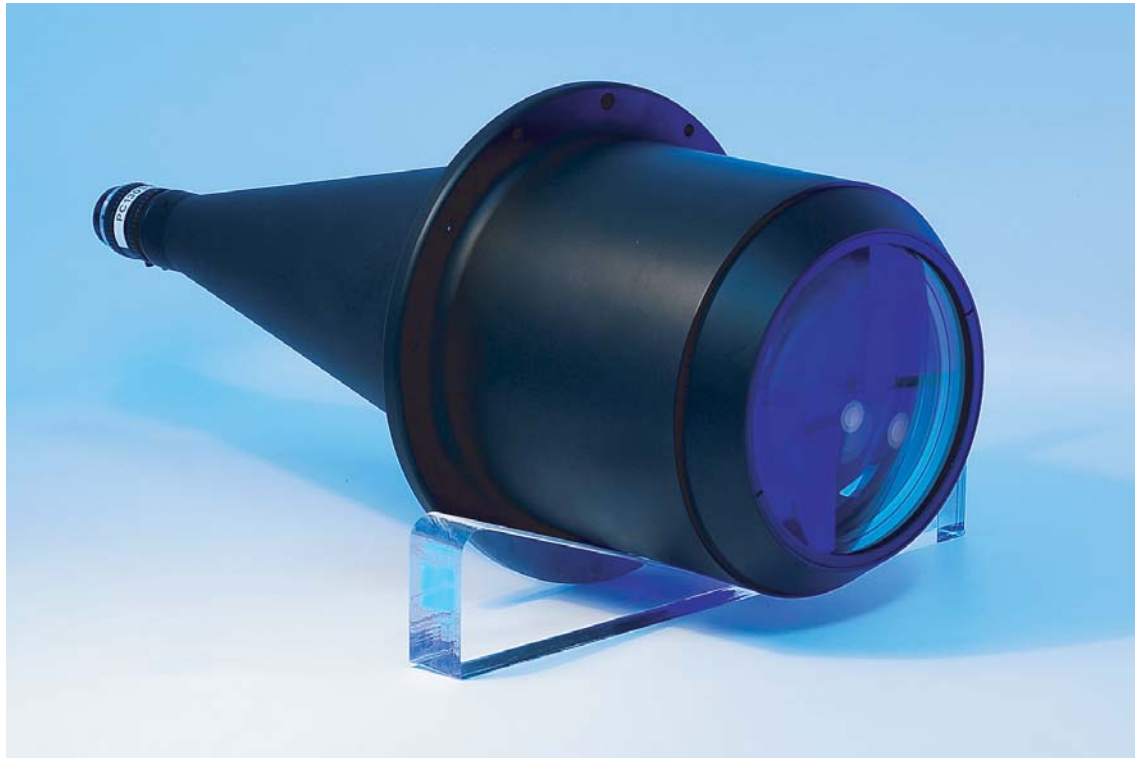


PC 12030HP

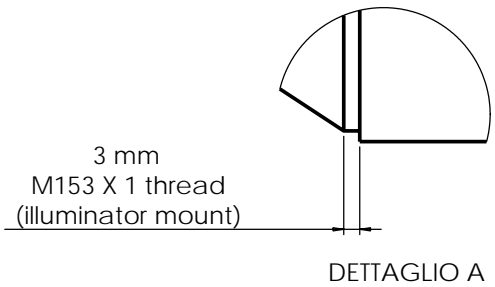
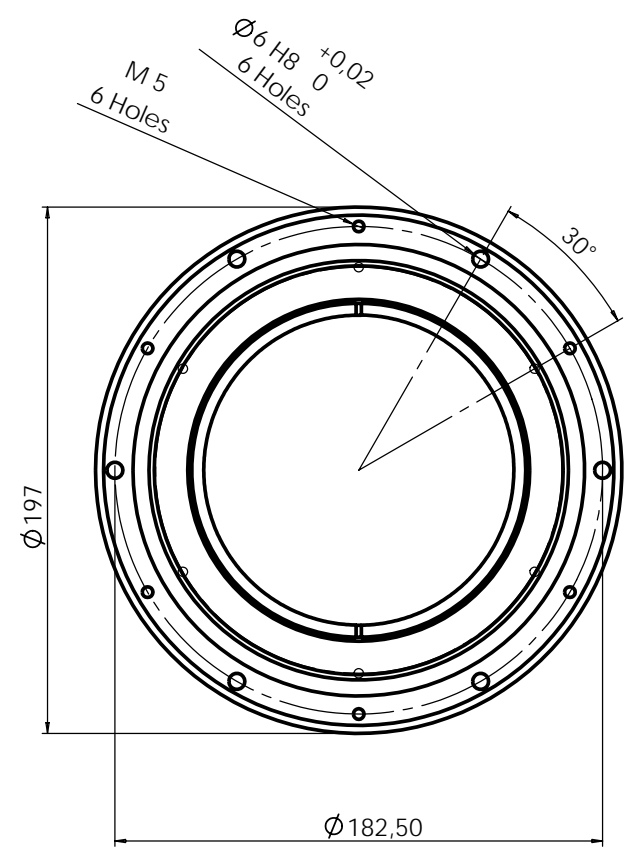
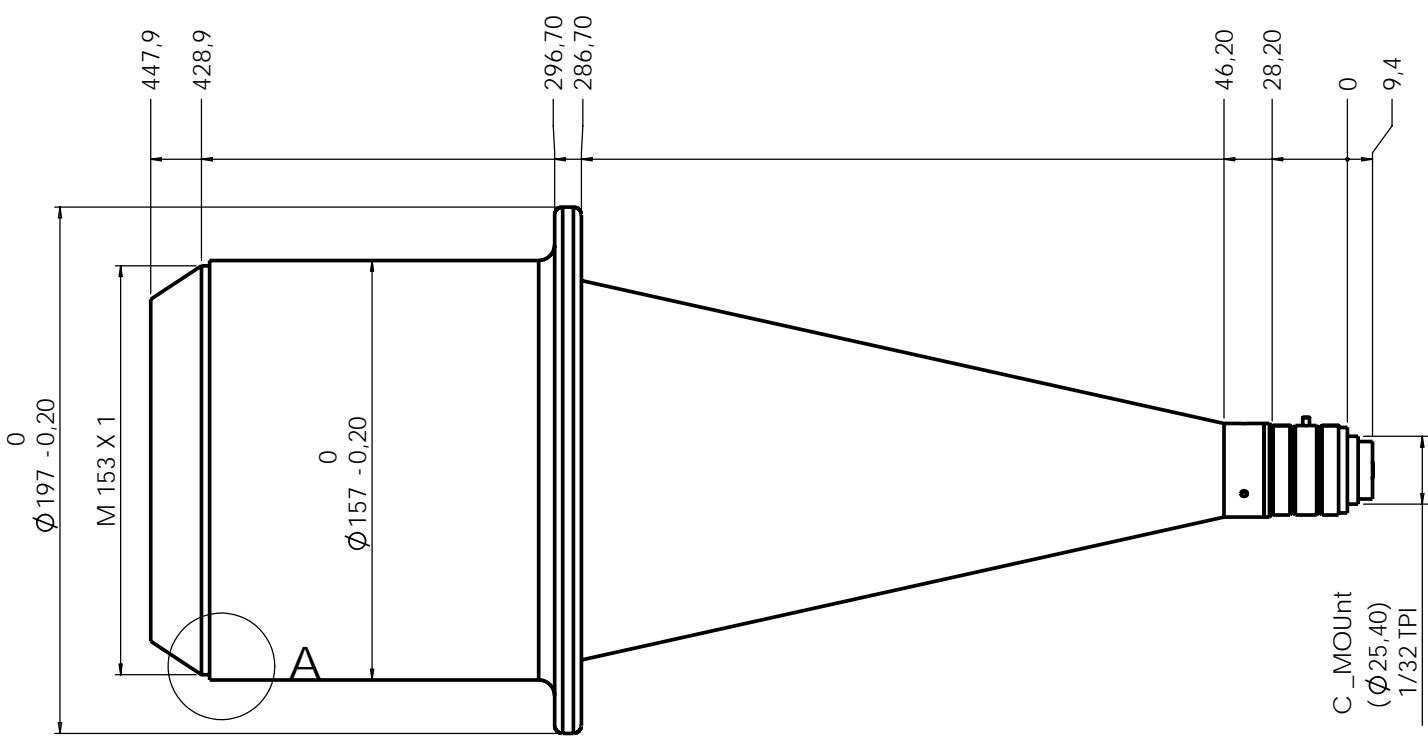
360° VIEW PERICENTRIC LENS
FOR 1/2" DETECTOR



P/N		PC12030HP
<i>Detector Size</i>		1/2"
<i>min. FOV (diam x height)</i>	<i>(mm x mm)</i>	20 x 60
<i>typ. FOV (diam x height)</i>	<i>(mm x mm)</i>	30 x 30
<i>max. FOV (diam x height)</i>	<i>(mm x mm)</i>	60 x 20
<i>Wavelength range</i>	<i>(nm)</i>	450 .. 650
<i>Working distance</i>	<i>(mm)</i>	20 .. 80
<i>CTF @ 50 lp/mm</i>	<i>(%)</i>	> 25
<i>F-number</i>		4-16
<i>Diameter</i>	<i>(mm)</i>	197
<i>Length</i>	<i>(mm)</i>	448
<i>Weigh</i>	<i>(g)</i>	6800
<i>Mount</i>		C

MECHANICAL DRAWINGS: see next page >>

Rev No.	Description	Date	Name
A	Layout	03/07/09	A. Bnà



Material	N. A.	Mass	6770 gr.	Scale	1:2
Surface treatment	N. A.	Project-Prod Item/Instrument	PC12030HP		
Geometrical tolerance (ISO 2768-2)		Class	K	Undimensioned bevels	1x45°
Linear tolerance (ISO 2768-2)		Class	m	Undimensioned radii	R 0.5
0.5	>3-	>6-	>30-	>120	>400-
±3	6	30	120	±400	±1000
±0.1	±0.1	±0.2	±0.3	±0.5	±0.8
					±1.2
					±2
Date		Name		Drawing No.	
Designed	03/07/09	A. Bnà		18481-0-A	
Draw	03/07/09	A. Bnà		Sheet	
Checked	X	C.Sedazzari		1/1	
Reproduction forbidden without specific authorization					
OPTO ENGINEERING S.r.l. - 46100 Mantova Italy - Via Cremona, 29/2 - Tel. +39 0376 263565 - e-mail: info@opto-engineering.com - http://www.opto-engineering.com					