

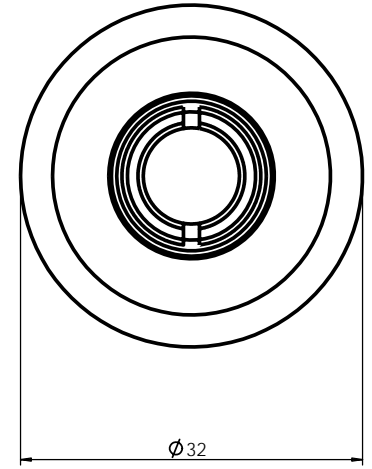
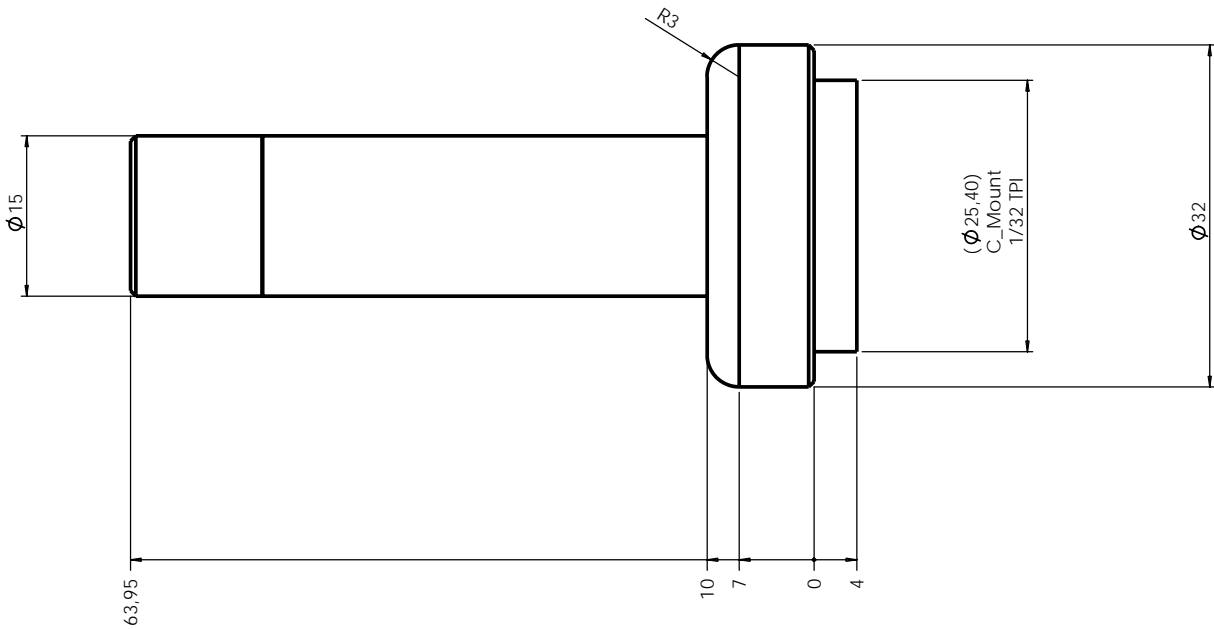
# MC 1.50X

## 1.5X ZERO DISTORTION MACRO LENS FOR 2/3" DETECTOR



Part Number		MC1.50X
<b>Magnification</b>		1,50
<b>Field Of Fiew</b>	<b>(mm x mm)</b>	
1/4" (3,6 mm x 2,7 mm)		2,4 x 1,8
1/3" (4,8 mm x 3,6 mm)		3,2 x 2,4
1/2" (6,4 mm x 4,8 mm)		4,3 x 3,2
1/4" (7,0 mm x 5,3 mm)		4,7 x 3,5
1/4" (8,8 mm x 6,6 mm)		5,9 x 4,4
<b>Working Distance</b>	<b>(mm)</b>	38
<b>Distortion</b>	<b>(%)</b>	<0,01
<b>F-number</b>		13
<b>Field Depth</b>	<b>(mm)</b>	0,4
<b>Length</b>	<b>(mm)</b>	64
<b>Diameter</b>	<b>(mm)</b>	15,0
<b>Height</b>	<b>(mm)</b>	30
<b>Mount</b>		C-mount

**MECHANICAL DRAWINGS: see next page >>**



Rev No.	Description	Date	Name
A	MC1.50X layout	15/10/09	

Material		N.A.				Mass	90 gr.	Scale	2:1
Surface treatment		N.A.				Project-Prod.Item/Instrument MC1.50X			
Geometrical tolerance (ISO 2768-2)				Class	K	Undimensioned bevels		1x45°	
Linear tolerance (ISO 2768-2)				Class	m	Undimensioned radii		R 0.5	
0.5	>3-	>6-	>30-	>120	>400-	>1000	>2000	Description MC1.50X layout	
±3	6	30	120	±400	±1000	±2000	±4000		
±0.1	±0.1	±0.2	±0.3	±0.5	±0.8	±1.2	±2		
		Date		Name		Drawing No.		Sheet	
Designed		15/10/09				13811-5-A		1/1	
Draw		15/10/09				Reproduction forbidden without specific authorization			
Checked		X							
OPTO ENGINEERING S.r.l. - 46100 Mantova Italy - Via Cremona, 29/2 - Tel. +39 0376 263565 - e-mai: info@opto-engineering.com - http://www.opto-engineering.com									