

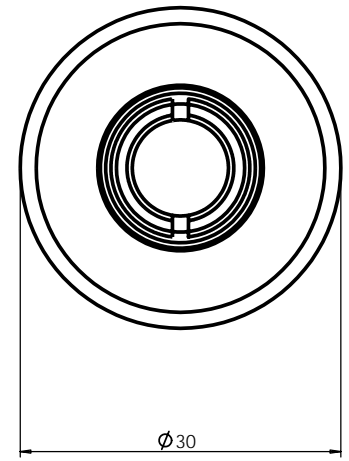
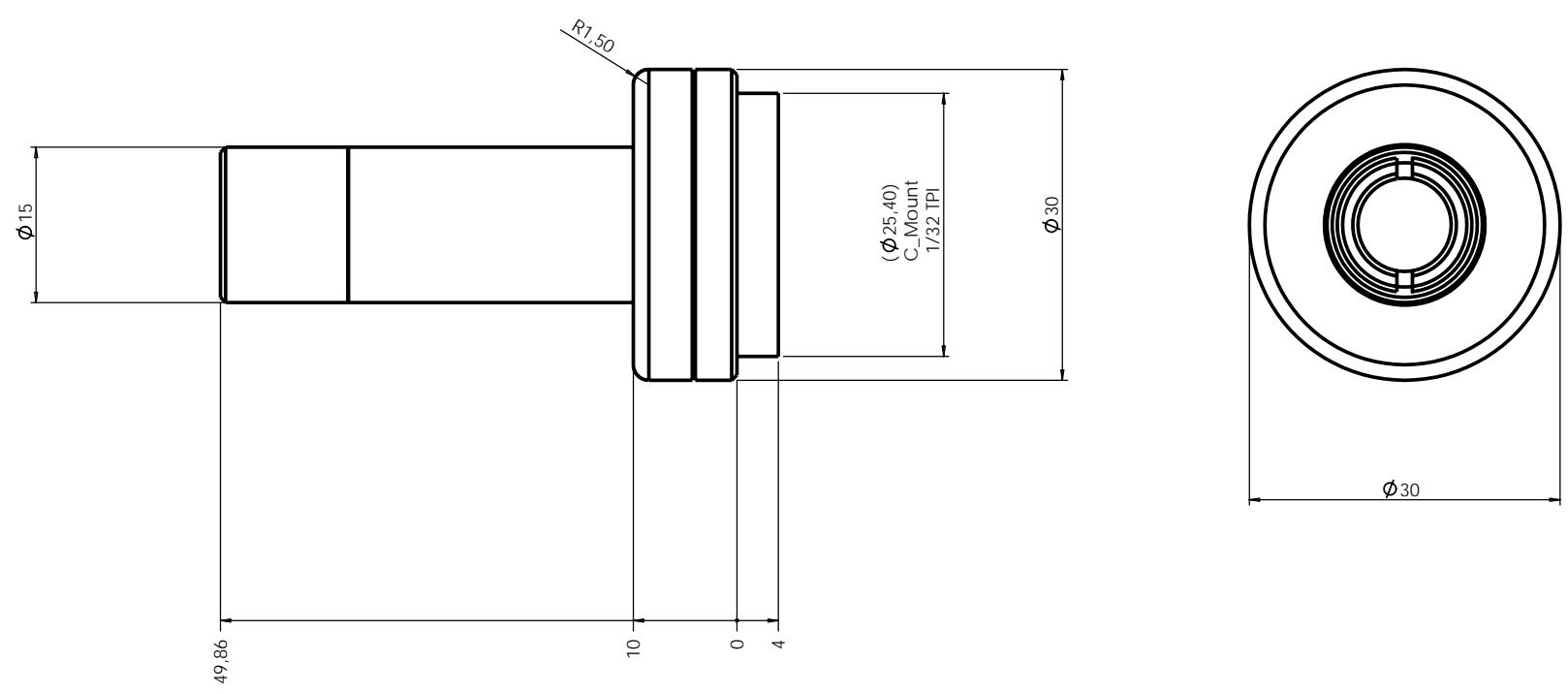
MC1.00X

1X Zero Distortion Macro Lens For 2/3" Detector



part number		MC1.00X
Magnification		1,00
Field Of View	(mm x mm)	
1/4" (3,6 mm x 2,7 mm)		3,6 x 2,7
1/3" (4,8 mm x 3,6 mm)		4,8 x 3,6
1/2" (6,4 mm x 4,8 mm)		6,4 x 4,8
1/1.8" (7,0 mm x 5,3 mm)		7,0 x 5,3
2/3" (8,8 mm x 6,6 mm)		8,8 x 6,6
Working Distance	(mm)	47
Distortion	(%)	<0,01
F-number		10
Field Depth	(mm)	0,6
Length	(mm)	50
Diameter	(mm)	15,0
Height	(mm)	30
Mount		C-mount

Rev No.	Description	Date	Name
B	MC1.00X layout	20/11/09	



Material		N.A.				Mass	50 gr.	Scale	2:1
Surface treatment		N.A.				Project-Prod.Item/Instrument MC1.00X			
Geometrical tolerance (ISO 2768-2)				Class	K	Undimensioned bevels		1x45°	
Linear tolerance (ISO 2768-2)				Class	m	Undimensioned radii		R 0.5	
0.5 ±0.1	>3- 6 ±0.1	>6- 30 ±0.2	>30- 120 ±0.3	>120 ±0.5	>400- 1000 ±0.8	>1000 ±1.2	>2000 ±2	Description MC1.00X layout	
		Date		Name		Drawing No.		Sheet	
Designed		15/10/09				13811-4-B		1/1	
Draw		20/11/09				Reproduction forbidden without specific authorization			
Checked		X							
OPTO ENGINEERING S.r.l. - 46100 Mantova Italy - Via Cremona, 29/2 - Tel. +39 0376 263565 - e-mail: info@opto-engineering.com - http://www.opto-engineering.com									