

# MCO.75X

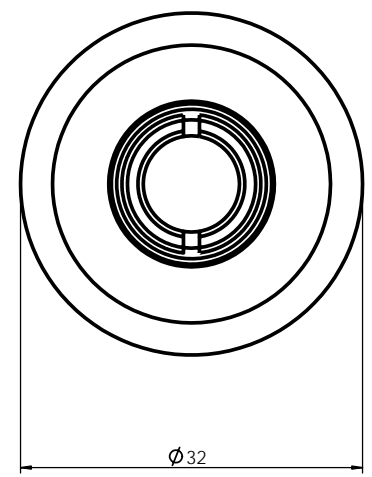
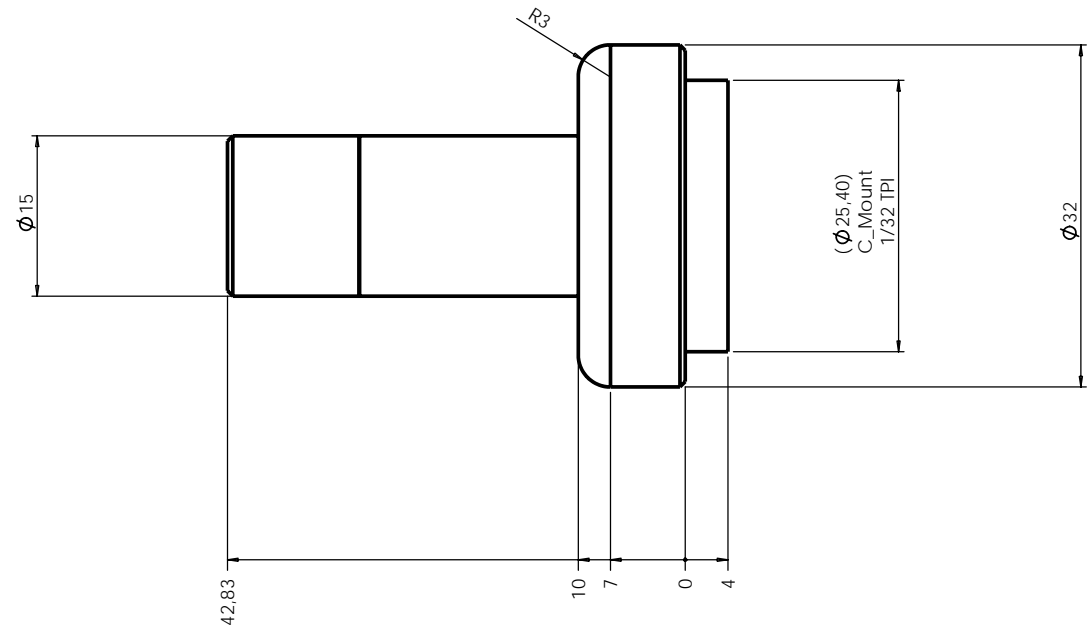
## 0.75X ZERO DISTORTION MACRO LENS FOR 2/3" DETECTOR



<b>Part Number</b>		<b>MCO.75X</b>		
<b>Magnification</b>		0,75		
<b>Field Of Fiew</b>	<b>(mm x mm)</b>			
1/4" (3,6 mm x 2,7 mm)		4,8	x	3,6
1/3" (4,8 mm x 3,6 mm)		6,4	x	4,8
1/2" (6,4 mm x 4,8 mm)		8,5	x	6,4
1/4" (7,0 mm x 5,3 mm)		9,4	x	7,0
1/4" (8,8 mm x 6,6 mm)		11,7	x	8,8
<b>Working Distance</b>	<b>(mm)</b>	58		
<b>Distortion</b>	<b>(%)</b>	<0,02		
<b>F-number</b>		9		
<b>Field Depth</b>	<b>(mm)</b>	1,1		
<b>Length</b>	<b>(mm)</b>	43		
<b>Diameter</b>	<b>(mm)</b>	15,0		
<b>Height</b>	<b>(mm)</b>	30		
<b>Mount</b>		C-mount		

**MECHANICAL DRAWINGS: see next page >>**

Rev No.	Description	Date	Name
A	MC0.75X layout	15/10/09	



Material		N.A.				Mass	90 gr.	Scale	2:1
Surface treatment		N.A.				Project-Prod.Item/Instrument MC0.75X			
Geometrical tolerance (ISO 2768-2)				Class	K	Undimensioned bevels		1x45°	
Linear tolerance (ISO 2768-2)				Class	m	Undimensioned radii		R 0.5	
0.5 ±3	>3± 6	>6± 30	>30± 120	>120 ±400	>400± 1000	>1000 ±2000	>2000 ±4000	Description MC0.75X layout	
±0.1	±0.1	±0.2	±0.3	±0.5	±0.8	±1.2	±2		
 www.opto-engineering.com		Date		Name		Drawing No.		Sheet	
		Designed		15/10/09		13811-3-A		1/1	
		Draw		15/10/09					
		Checked		X		Reproduction forbidden without specific authorization			
OPTO ENGINEERING S.r.l. - 46100 Mantova Italy - Via Cremona, 29/2 - Tel. +39 0376 263565 - e-mail: info@opto-engineering.com - http://www.opto-engineering.com									