

MCO.33X

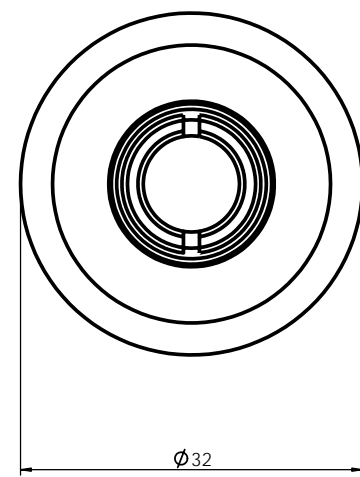
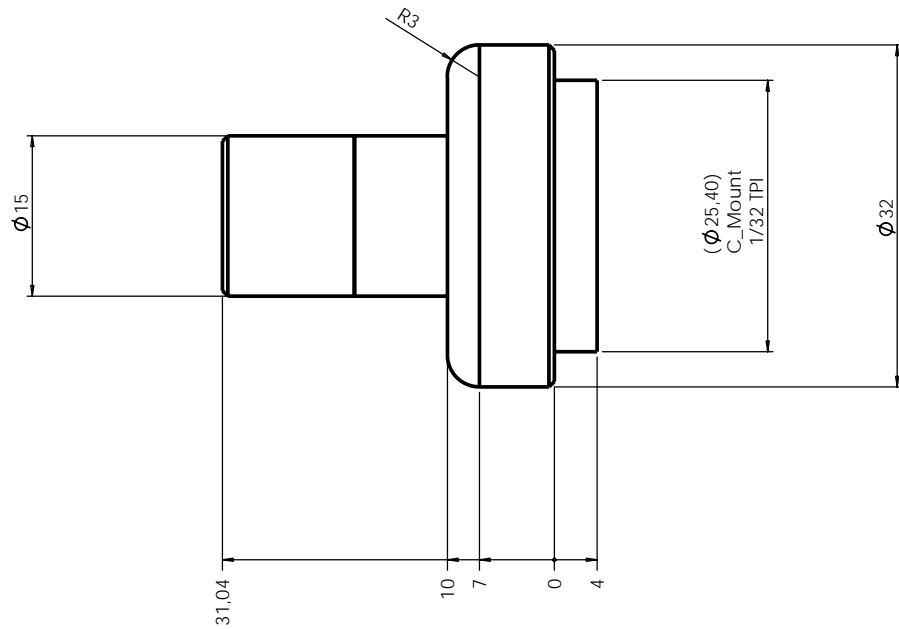
0.33X ZERO DISTORTION MACRO LENS FOR 2/3" DETECTOR



Part Number		MCO.33X		
Magnification		0,33		
Field Of Fiew	(mm x mm)			
1/4" (3,6 mm x 2,7 mm)		10,8	x	8,1
1/3" (4,8 mm x 3,6 mm)		14,4	x	10,8
1/2" (6,4 mm x 4,8 mm)		19,2	x	14,4
1/4" (7,0 mm x 5,3 mm)		21,1	x	15,9
1/4" (8,8 mm x 6,6 mm)		26,4	x	19,8
Working Distance	(mm)	102		
Distortion	(%)	<0,05		
F-number		7		
Field Depth	(mm)	3,7		
Length	(mm)	31		
Diameter	(mm)	15,0		
Height	(mm)	30		
Mount		C-mount		

MECHANICAL DRAWINGS: see next page >>

Rev No.	Description	Date	Name
A	MC0.33X layout	15/10/09	



Material		N.A.				Mass	90 gr.	Scale	2:1
Surface treatment		N.A.				Project-Prod.Item/Instrument MC0.33X			
Geometrical tolerance (ISO 2768-2)				Class	K	Undimensioned bevels		1x45°	
Linear tolerance (ISO 2768-2)				Class	m	Undimensioned radii		R 0.5	
0.5	>3-	>6-	>30-	>120	>400-	>1000	>2000	Description MC0.33X layout	
±0.1	±0.1	±0.2	±0.3	±0.5	±0.8	±1.2	±2	Drawing No.	
		Date		Name		Drawing No.		Sheet	
Designed		15/10/09				13811-1-A		1/1	
Draw		15/10/09				Reproduction forbidden without specific authorization			
Checked		X							
OPTO ENGINEERING S.r.l. - 46100 Mantova Italy - Via Cremona, 29/2 - Tel. +39 0376 263565 - e-mail: info@opto-engineering.com - http://www.opto-engineering.com									