

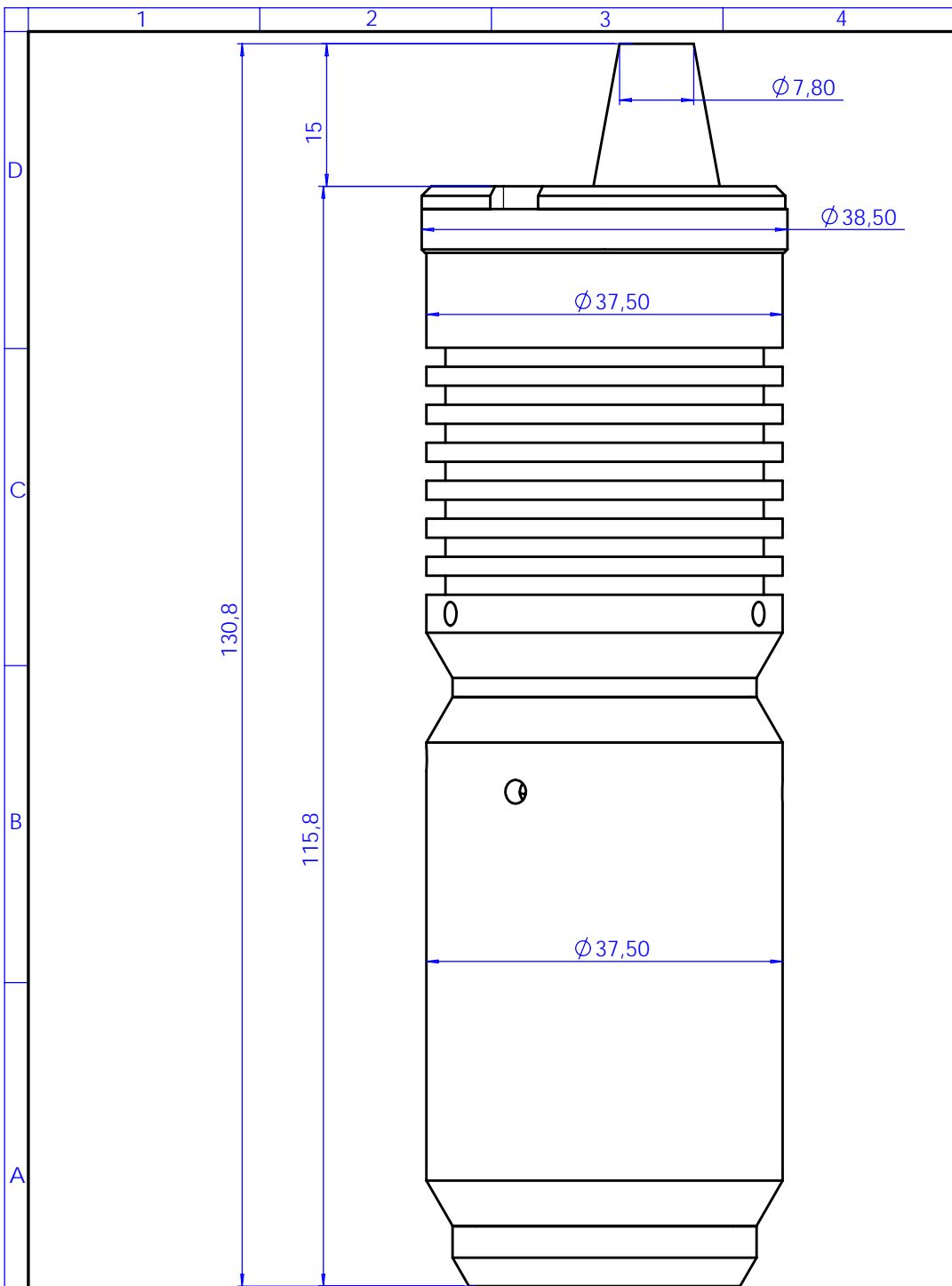
LT SP 3W/G

3W SPOT ILLUMINATOR, GREEN

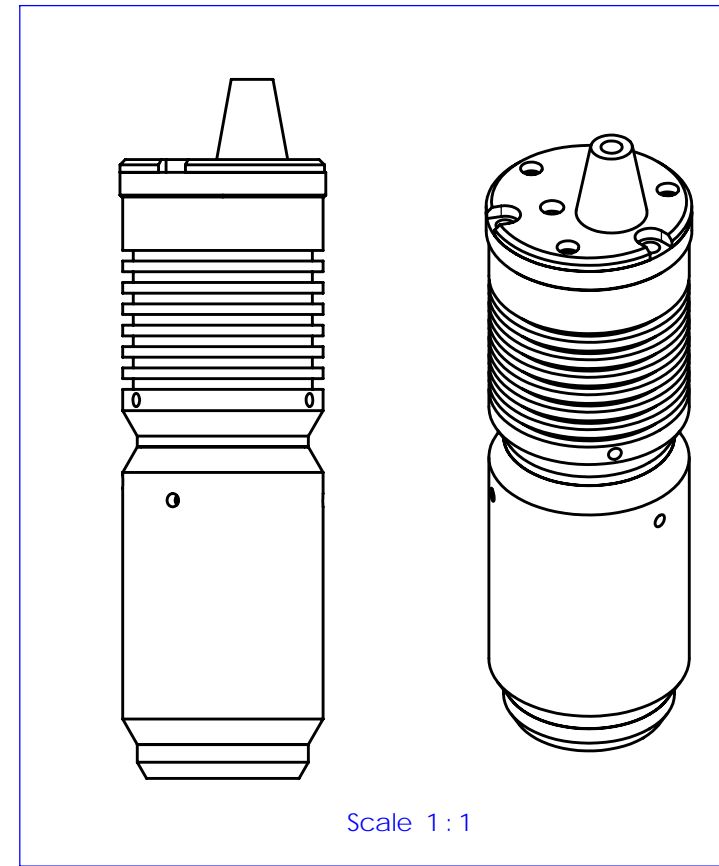


Part Number		LTSP3W/G
Light Color, wavelength peak		green, 520 nm
Illuminance (Irradiance)	@ 100 mm	23 klux
Illuminance (Irradiance)	@ 200 mm	7 klux
Illuminance (Irradiance)	@ 300 mm	3 klux
DEVICE POWER RATINGS		
Minimum DC Voltage	(volt)	12
Maximum DC Voltage	(volt)	24
Power Consumption	(watt)	< 3
LED DIRECT DRIVE RATINGS		
Forward DC Voltage	(volt)	3,8
Forward Current	(mA)	700
Pulse Ratings @0,1 duty/1kHz	(mA)	< 1800

MECHANICAL DRAWINGS: see next page >>



Rev No.	Description	Date	Name
A	Nuovo pezzo	21/03/03	A.Vismara
B	Redesign	05/12/07	A.Vismara



Scale 1 : 1

Material	N.A.			Mass	267 g	Scale	2:1
Surface treatment	N.A.			Project-Prod.Item/Instrument		LTSP	
Geometrical tolerance (ISO 2768-2)			Class	K	Description		
Linear tolerance (ISO 2768-2)			Class	m	Undimensioned bevels	1x45°	MECHANICAL LAYOUT
0.5	>3-	>6-	>30-	>120	>400-	>1000	
+3	6	30	120	+400	+1000	+2000	R 0.5
±0.1	±0.1	±0.2	±0.3	±0.5	±0.8	±1.2	±2
www.opto-engineering.com			Date	Name	Drawing No.		
			Designed	17/03/03	A.Vismara	03520-0-B	
			Draw	05/12/07	A.Vismara	1/1	
			Checked	X	C. Sedazzari	Reproduction forbidden without specific authorization	
OPTO ENGINEERING S.r.l. - 46100 Mantova Italy - Via Cremona, 29/2 - Tel. +39 0376 229585 - e-mai: info@opto-engineering.it - http://www.opto-engineering.com							