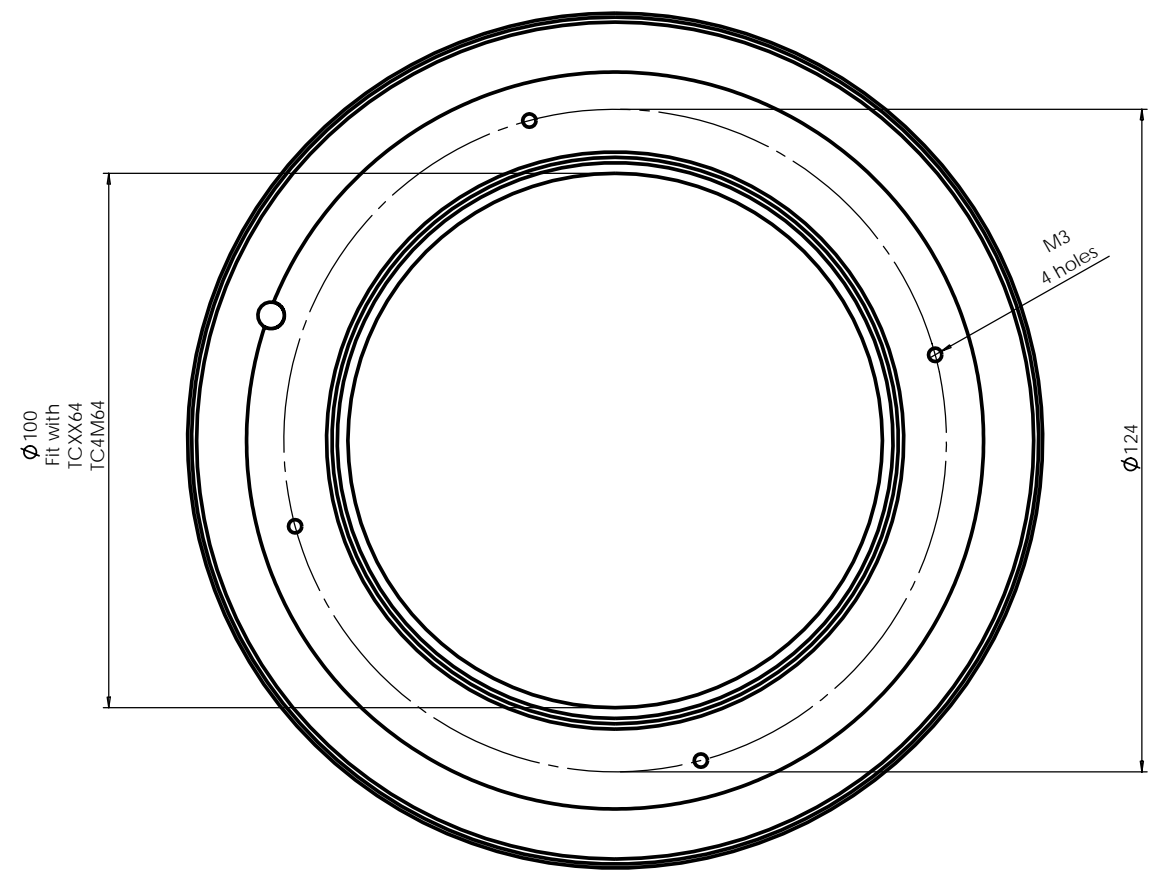
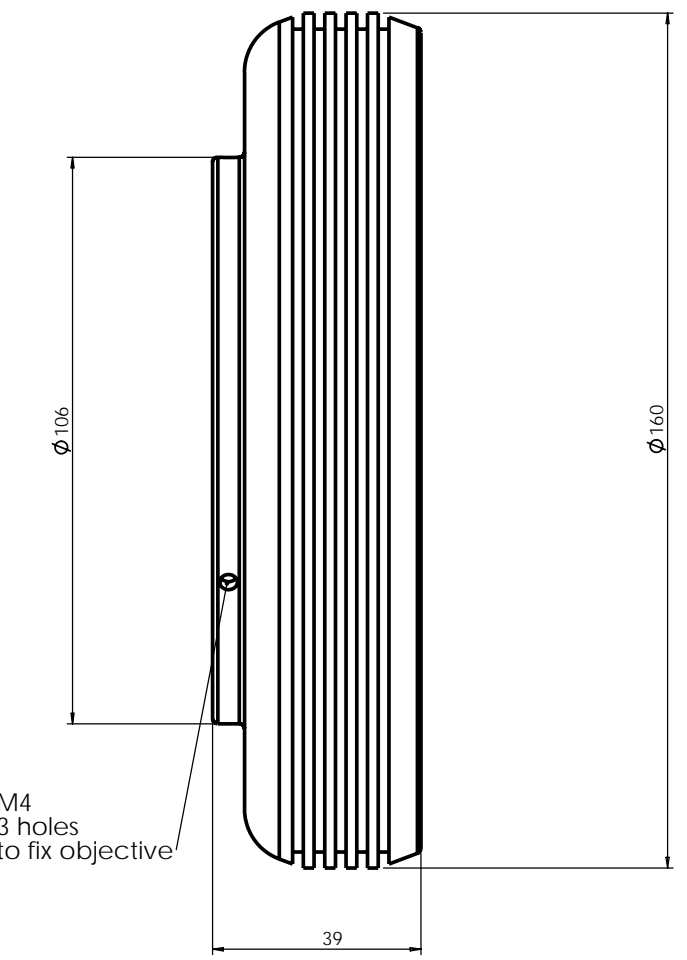


1 2 3 4 5 6 7 8

Rev No.	Description	Date	Name
B	LTRN64 layout	22/10/09	

D
C
B
A



Material	N.A.		Mass	560 gr.	Scale	1:1																																									
Surface treatment	N.A.		Project-Prod.Item/Instrument LTRN64																																												
Geometrical tolerance (ISO 2768-2)			Description		LTRN64 layout																																										
<table border="1"> <thead> <tr> <th colspan="2">Linear tolerance (ISO 2768-2)</th> <th>Class</th> <th>K</th> <th>Undimensioned bevels</th> <th>1x45°</th> <th>Undimensioned radii</th> <th>R 0.5</th> </tr> <tr> <th></th> <th></th> <th></th> <th>m</th> <th></th> <th></th> <th></th> <th></th> </tr> </thead> <tbody> <tr> <td>0.5</td> <td>>3-</td> <td>>6-</td> <td>>30-</td> <td>>120</td> <td>>400+</td> <td>>1000</td> <td>>2000</td> </tr> <tr> <td>±3</td> <td>6</td> <td>30</td> <td>120</td> <td>±400</td> <td>±1000</td> <td>±2000</td> <td>±4000</td> </tr> <tr> <td>±0.1</td> <td>±0.1</td> <td>±0.2</td> <td>±0.3</td> <td>±0.5</td> <td>±0.8</td> <td>±1.2</td> <td>±2</td> </tr> </tbody> </table>			Linear tolerance (ISO 2768-2)				Class	K	Undimensioned bevels	1x45°	Undimensioned radii	R 0.5				m					0.5	>3-	>6-	>30-	>120	>400+	>1000	>2000	±3	6	30	120	±400	±1000	±2000	±4000	±0.1	±0.1	±0.2	±0.3	±0.5	±0.8	±1.2	±2	Date		Name
Linear tolerance (ISO 2768-2)		Class	K	Undimensioned bevels	1x45°	Undimensioned radii	R 0.5																																								
			m																																												
0.5	>3-	>6-	>30-	>120	>400+	>1000	>2000																																								
±3	6	30	120	±400	±1000	±2000	±4000																																								
±0.1	±0.1	±0.2	±0.3	±0.5	±0.8	±1.2	±2																																								
 www.opto-engineering.com		Designed		22/10/09		18333-0-B																																									
		Draw		22/10/09																																											
		Checked		X																																											
OPTO ENGINEERING S.r.l. - 46100 Mantova Italy - Via Cremona, 29/2 - Tel. +39 0376 263565 - e-mai: info@opto-engineering.com - http://www.opto-engineering.com																																															

1 2 3 4 5 6 7 8

0 1 2 3 4 5 6 7 8 9 10