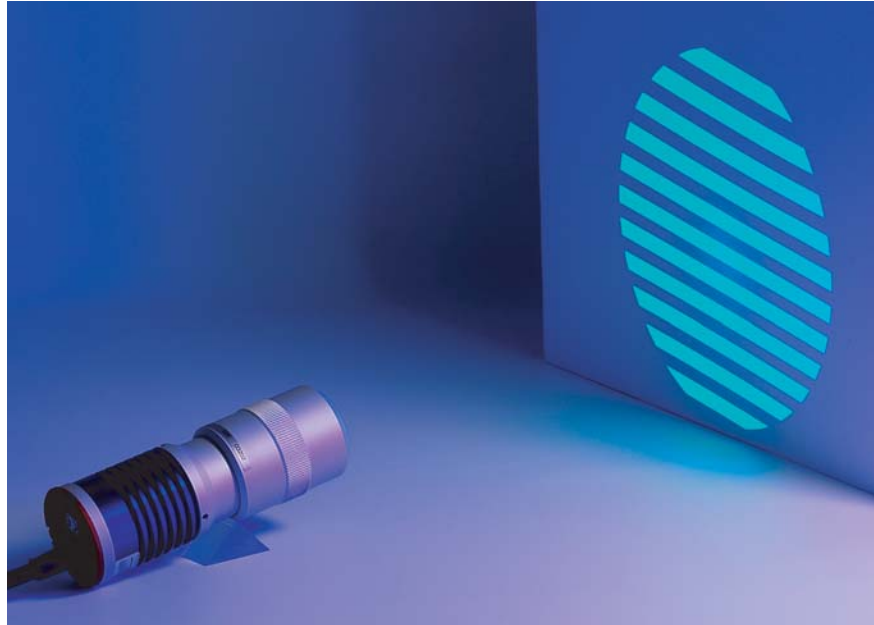


LT PR 3W/G

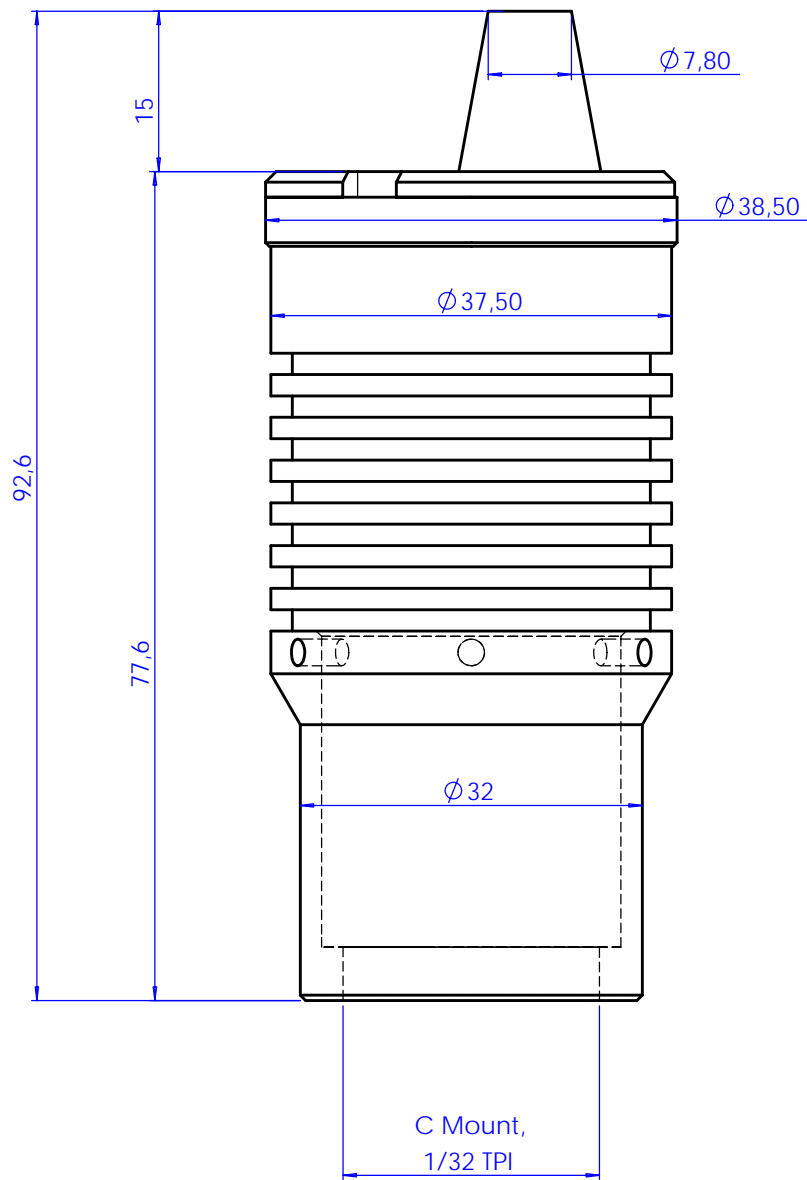
3W PATTERN PROJECTOR, GREEN



Part Number		LTPR3W/G
Light Color, wavelength peak		green, 520 nm
DEVICE POWER RATINGS		
Minimum DC Voltage	(volt)	12
Maximum DC Voltage	(volt)	24
Power Consumption	(watt)	< 3
LED DIRECT DRIVE RATINGS		
Forward DC Voltage	(volt)	3,8
Forward Current	(mA)	700
Pulse Ratings @0,1 duty/1kHz	(mA)	< 1800

MECHANICAL DRAWINGS: see next page >>

Rev No.	Description	Date	Name
A	Nuovo pezzo	05/12/07	A.Vismara



Scale 1 : 1

Material	N.A.		Mass	163.8 g	Scale	2:1	
Surface treatment	N.A.		Project-Prod.Item/Instrument	LTSPPR			
Geometrical tolerance (ISO 2768-2)		Class	K	Undimensioned bevels	1x45°	Description LAYOUT WITH C-MOUNT	
Linear tolerance (ISO 2768-2)		Class	m	Undimensioned radii	R 0.5		
0.5 +3	>3- 6	>6- 30	>30- 120	>120 +400	>400- 1000	>1000 +2000	>2000 +4000
±0.1	±0.1	±0.2	±0.3	±0.5	±0.8	±1.2	±2
www.opto-engineering.com		Date		Name		Drawing No.	Sheet
		Designed		A.Vismara		03532-0-A	1/1
		Draw		A.Vismara			
		Checked		C. Sedazzari		Reproduction forbidden without specific authorization	
OPTO ENGINEERING S.r.l. - 46100 Mantova Italy - Via Cremona, 29/2 - Tel. +39 0376 229585 - e-mai: info@opto-engineering.it - http://www.opto-engineering.com							