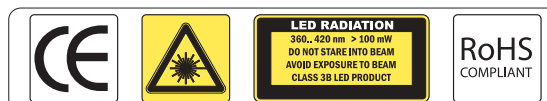


# LT PR 36/UV365

PATTERN PROJECTOR,  
UV @ 365 NM

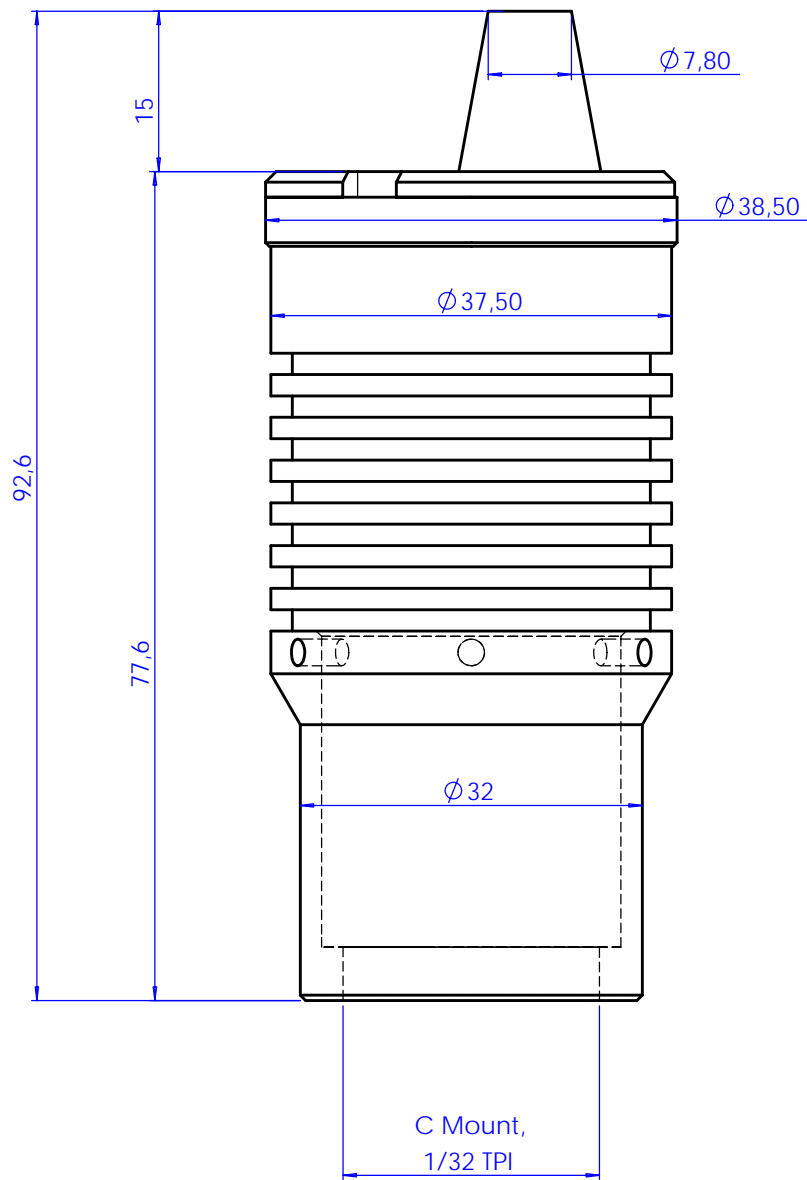


<b>Part Number</b>		<b>LTPR36/UV365</b>
<b>Light Color, wavelength peak</b>		UV, 365 nm
<b>DEVICE POWER RATINGS</b>		
Minimum DC Voltage	<b>(volt)</b>	12
Maximum DC Voltage	<b>(volt)</b>	24
Power Consumption	<b>(watt)</b>	< 2
<b>LED DIRECT DRIVE RATINGS</b>		
Forward DC Voltage	<b>(volt)</b>	3,7
Forward Current	<b>(mA)</b>	350
Pulse Ratings @0,1 duty/1kHz	<b>(mA)</b>	n.a.



**MECHANICAL DRAWINGS: see next page >>**

Rev No.	Description	Date	Name
A	Nuovo pezzo	05/12/07	A.Vismara



Scale 1 : 1

Material	N.A.		Mass	163.8 g	Scale	2:1	
Surface treatment	N.A.		Project-Prod.Item/Instrument	LTSPPR			
Geometrical tolerance (ISO 2768-2)		Class	K	Undimensioned bevels	1x45°	Description LAYOUT WITH C-MOUNT	
Linear tolerance (ISO 2768-2)		Class	m	Undimensioned radii	R 0.5		
0.5 +3	>3- 6	>6- 30	>30- 120	>120 +400	>400- 1000	>1000 +2000	>2000 +4000
±0.1	±0.1	±0.2	±0.3	±0.5	±0.8	±1.2	±2
www.opto-engineering.com		Date		Name		Drawing No.	Sheet
		Designed		A.Vismara		03532-0-A	1/1
		Draw		A.Vismara			
		Checked		C. Sedazzari		Reproduction forbidden without specific authorization	
OPTO ENGINEERING S.r.l. - 46100 Mantova Italy - Via Cremona, 29/2 - Tel. +39 0376 229585 - e-mai: info@opto-engineering.it - http://www.opto-engineering.com							