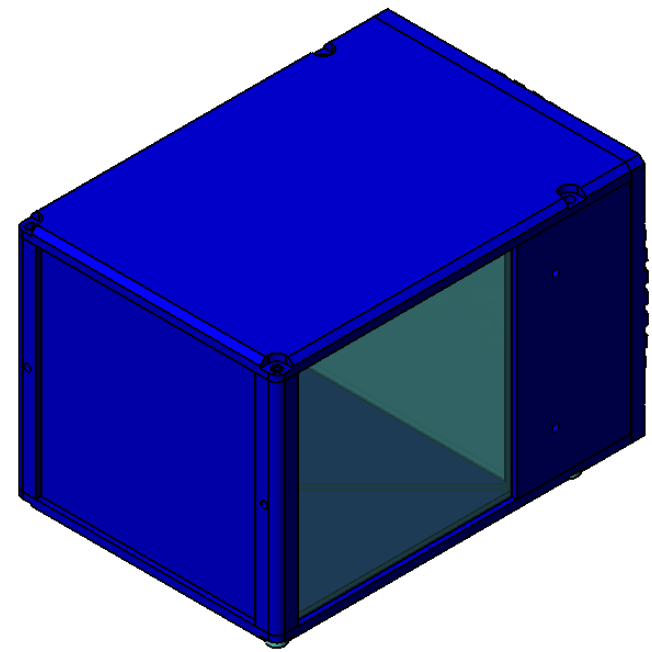
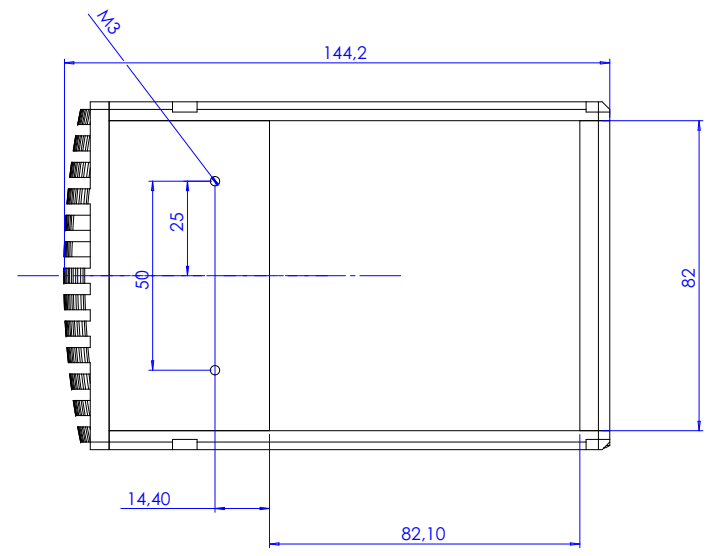
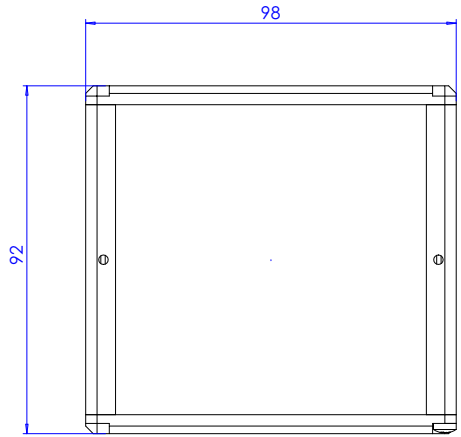


Rev No.	Description	Date	Name
A	Nuovo pezzo	25/05/04	A.Vismara



Material	N.A.	Mass	0.8 kg	Scale	1:1				
Surface treatment	N.A.	Project-Prod.Item/Instrument	LT CX 64						
Geometrical tolerance (ISO 2768-2)		Class	K	Undimensioned bevels	1x45°				
Linear tolerance (ISO 2768-2)		Class	m	Undimensioned radii	R 0.5				
0.5	>3*	>6*	>30*	>120	>400*	>1000	>2000	Undimensioned radii	R 0.5
+3	6	30	120	400	1000	2000	±2		
±0.1	±0.1	±0.2	±0.3	±0.5	±0.8	±1.2			
Date		Name		Drawing No.		Sheet			
Designed 25/05/04		A.Vismara		OVDIM-LTCX64		1/1			
Draw 25/05/04		A. Vismara							
Checked x		C. Sedazzari		Reproduction forbidden without specific authorization					
OPTO ENGINEERING S.r.l. - 46100 Mantova Italy - Via Cremona, 28 - Tel. +39 0376 229585 - e-mail: info@opto-engineering.it - http://www.opto-engineering.com									