

# LTCLUV48

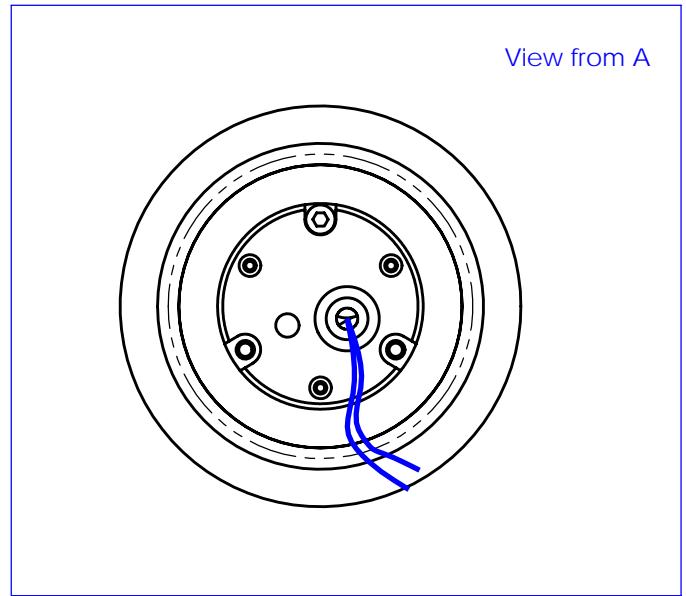
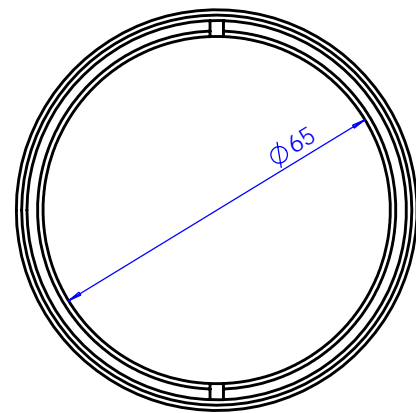
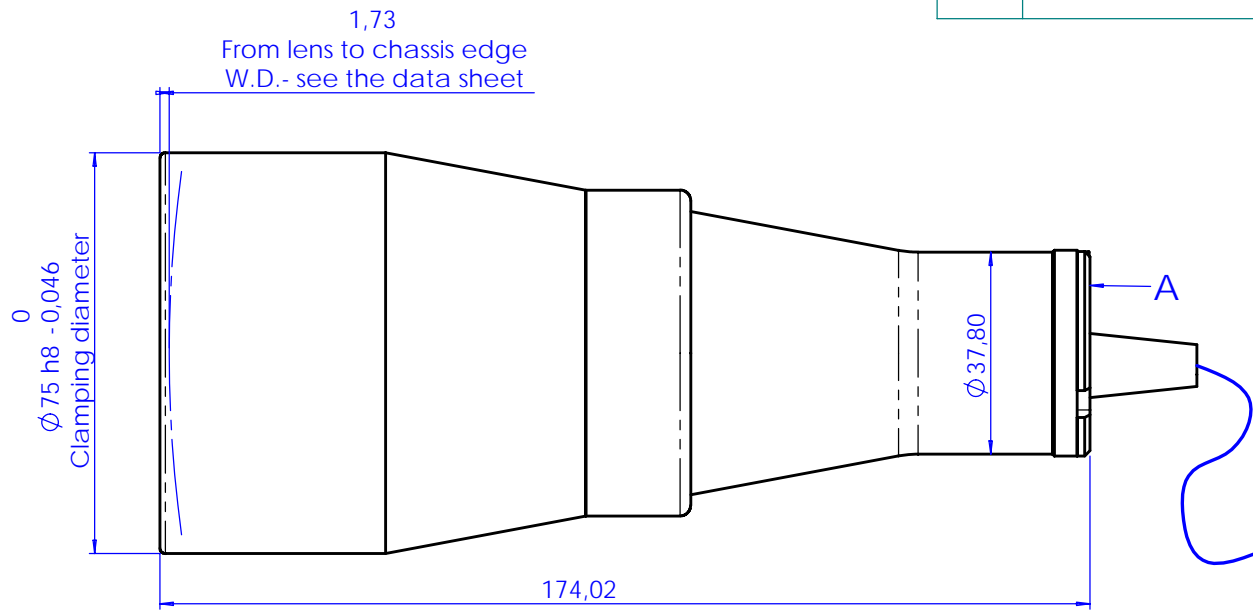
## UV LED COLLIMATOR FOR TCUV TELECENTRIC LENSES



Part Number		LTCLUV48
<i>Beam Diameter</i>	(mm)	60,0
<i>Emission Peak Wavelength</i>	(nm)	405,00
<i>Emission Bandwidth</i>	(nm)	+/- 20
<i>Beam Divergence</i>	(deg)	< 0,5
<i>Optical Power Output</i>	(mW)	< 40
<i>Eye Safety Class</i>		IIIb LED Product
<i>Length</i>	(mm)	86,7
<i>Outer Diameter</i>	(mm)	38,0
<i>Compatible Telecentric Lenses</i>		
	TC 12	48
	TC 23	48
DEVICE POWER RATINGS		
<i>DC Voltage</i>	(volt)	12 to 24
<i>Power Consumption</i>	(watt)	< 2 watt
LED DIRECT DRIVE RATINGS		
<i>Max Forward DC Voltage</i>	(volt)	3,7
<i>Max Forward Current</i>	(mA)	350

MECHANICAL DRAWINGS: see next page >>

Rev No.	Description	Date	Name
A	First light	09/05/08	A.Vismara



Material	N.A.		Mass	0.63 kg	Scale	1:1
Surface treatment	N.A.		Project-Prod.Item/Instrument	LT CL UV48		
Geometrical tolerance (ISO 2768-2)		Class	K	Undimensioned bevels		
Linear tolerance (ISO 2768-2)		Class	m	1x45°		
0.5	>3-	>6-	>30-	>120	>400-	>1000
+3	6	30	120	+400	+1000	+2000
±0.1	±0.1	±0.2	±0.3	±0.5	±0.8	±1.2
				Undimensioned radii		
				R 0.5		
				±2		
		Date	Name	Drawing No.		
		Designed	09/05/08	A.Vismara	02661-0-A	
		Draw	09/05/08	A.Vismara	Sheet	
		Checked	X	C. Sedazzari	1/1	
www.opto-engineering.com OPTO ENGINEERING S.r.l. - 46100 Mantova Italy - Via Cremona, 29/2 - Tel. +39 0376 263565 - e-mai: info@opto-engineering.com - http://www.opto-engineering.com						

