

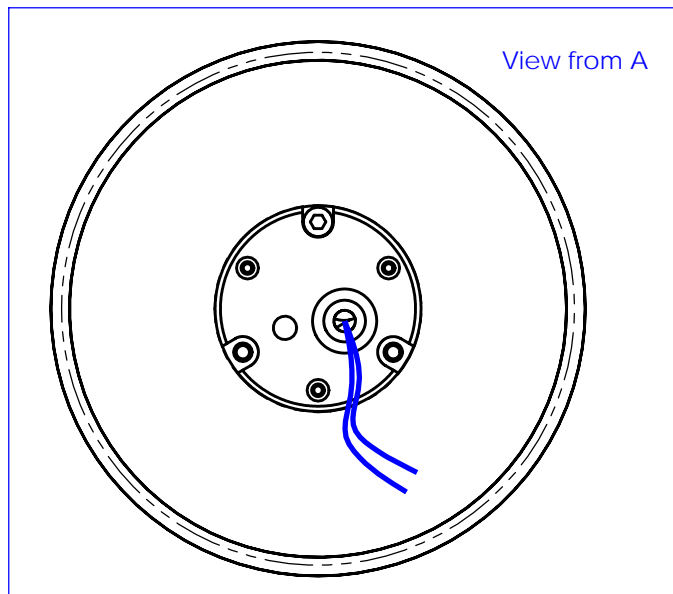
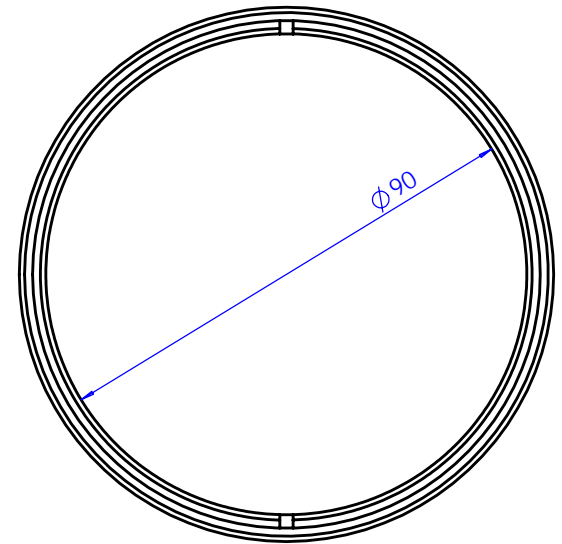
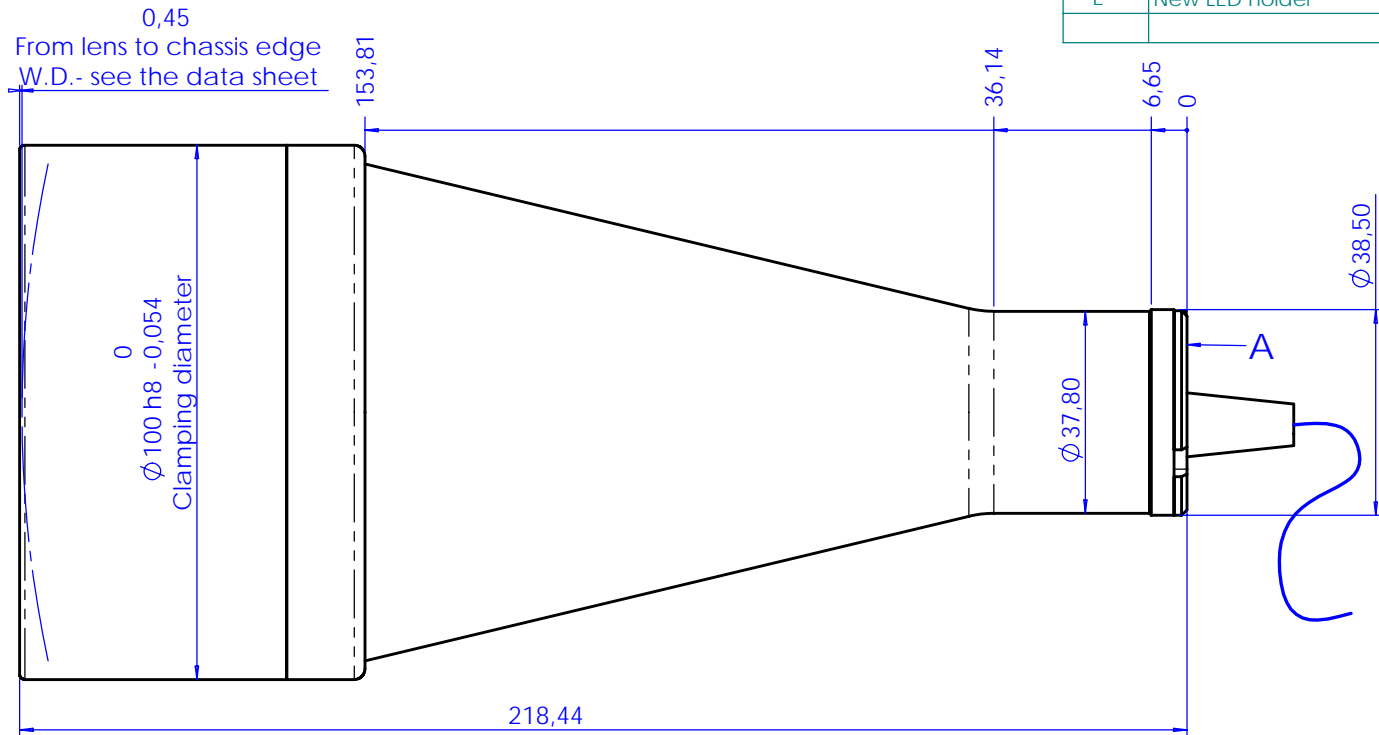
LT CL 64

Collimated Illuminator



| part number | LT CL 64/X | |
|---------------------------------------|------------|----------|
| Beam Diameter | (mm) | 80,0 |
| Available Colours | | |
| /R (red) | | x |
| /G (green) | | x |
| /B (blue) | | x |
| /W (white) | | x |
| /IR890 (IR, peak 890 nm) | | x |
| /IR940 (IR, peak 940 nm) | | x |
| Length | (mm) | 219,5 |
| Outer Diameter | (mm) | 100,0 |
| Compatible Telecentric Lenses | | |
| | TC 13 | 64 |
| | TC 12 | 64 |
| | TC 23 | 64 |
| | TC 4M | 64 |
| | TC 2M | 64 |
| | TC16M | 64 |
| DEVICE POWER RATINGS | | |
| DC Voltage | (volt) | 12 to 24 |
| Power Consumption | (watt) | < 2 watt |
| LED DIRECT DRIVE RATINGS | | |
| for /W, /B and /G versions | | |
| Max Forward DC Voltage | (volt) | 3,5 |
| Max Forward Current | (mA) | 350 |
| for /R version | | |
| Max Forward DC Voltage | (volt) | 2,5 |
| Max Forward Current | (mA) | 350 |
| for /IR890 and /IR940 versions | | |
| Max Forward DC Voltage | (volt) | 1,6 |
| Max Forward Current | (mA) | 500 mA |

| Rev No. | Description | Date | Name |
|---------|----------------|----------|-----------|
| D | First light | 23/03/06 | A.Vismara |
| E | New LED holder | 10/05/08 | A.Vismara |



| | | | | | | | | | |
|------------------------------------|------|----------|------------------------------|----------------------|-------|-------------------------|-------|---|--------------|
| Material | N.A. | | Mass | 0.94 kg | Scale | 1:1 | | | |
| Surface treatment | N.A. | | Project-Prod.Item/Instrument | LT CL 64 | | | | | |
| Geometrical tolerance (ISO 2768-2) | | Class | K | Undimensioned bevels | 1x45° | Description Assembly | | | |
| Linear tolerance (ISO 2768-2) | | Class | m | Undimensioned radii | R 0.5 | | | | |
| 0.5 | >3- | >6- | >30- | >120 | >400- | >1000 | >2000 | Drawing No. 01275-0-E | Sheet 1/1 |
| +3 | 6 | 30 | 120 | +400 | 1000 | +2000 | +4000 | | |
| ±0.1 | ±0.1 | ±0.2 | ±0.3 | ±0.5 | ±0.8 | ±1.2 | ±2 | Reproduction forbidden without specific authorization | |
| | | Date | | Name | | Drawing No. | | Sheet | |
| | | Designed | 10/05/08 | A.Vismara | | 01275-0-E | | | |
| | | Draw | 10/05/08 | A.Vismara | | 1/1 | | | |
| Checked | | X | | C. Sedazzari | | | | | |