

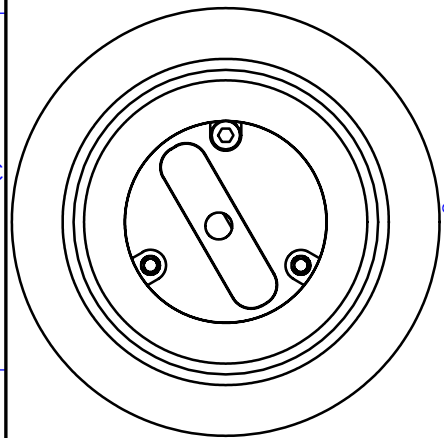
## LT CL 56

# Collimated Illuminator

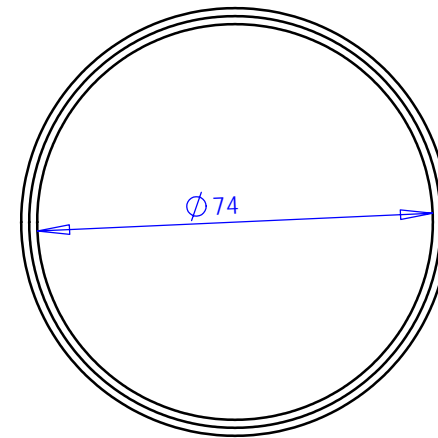
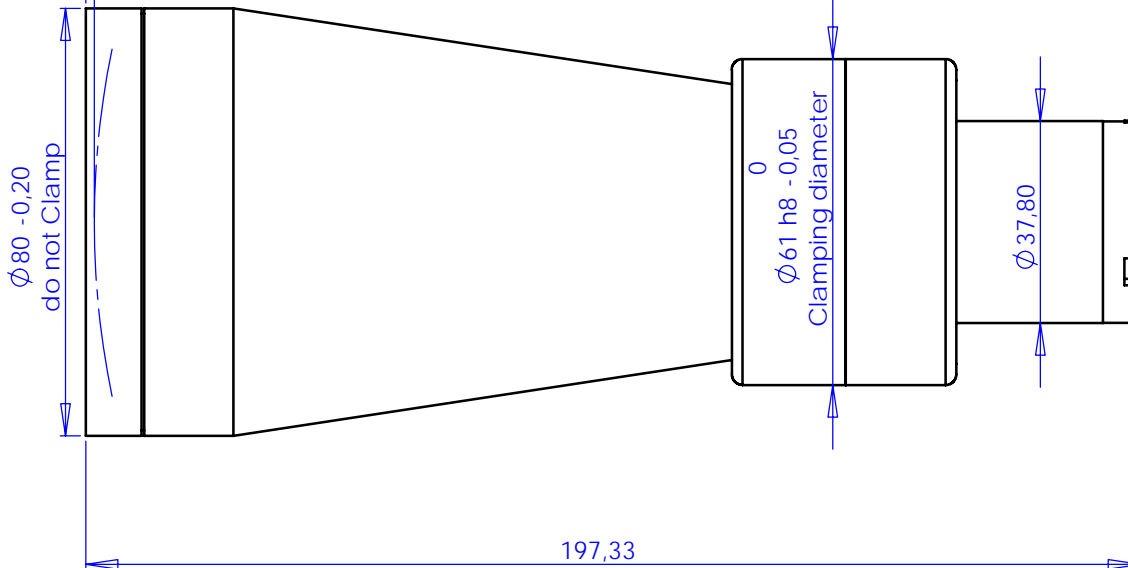


part number	LT CL 56/X	
<b>Beam Diameter</b>	(mm)	70,0
<b>Available Colours</b>		
/R (red)		x
/G (green)		x
/B (blue)		x
/W (white)		x
/IR890 (IR, peak 890 nm)		x
/IR940 (IR, peak 940 nm)		x
<b>Length</b>	(mm)	197,3
<b>Outer Diameter</b>	(mm)	80,0
<b>Compatible Telecentric Lenses</b>		
	TC 13	n.a.
	TC 12	56
	TC 23	56
	TC 4M	56
	TC 2M	56
	TC16M	56
<b>DEVICE POWER RATINGS</b>		
DC Voltage	(volt)	12 to 24
Power Consumption	(watt)	< 2 watt
<b>LED DIRECT DRIVE RATINGS</b>		
<b>for /W, /B and /G versions</b>		
Max Forward DC Voltage	(volt)	3,5
Max Forward Current	(mA)	350
<b>for /R version</b>		
Max Forward DC Voltage	(volt)	2,5
Max Forward Current	(mA)	350
<b>for /IR890 and /IR940 versions</b>		
Max Forward DC Voltage	(volt)	1,6
Max Forward Current	(mA)	500 mA

Rev No.	Description	Date	Name
D	First Sight	27/02/07	A. Bnà



1,60  
From lens to chassis  
W.D. - see the data sheet



Material	N.A.			Mass	Scale	2:1
Surface treatment	N.A.			Project-Prod. Item/Instrument LT CL 56		
Geometrical tolerance (ISO 2768-2)			Class	K	Description	
Linear tolerance (ISO 2768-2)			Class	m	Undimensioned bevels	1x45°
0.5	>3-	>6-	>30-	>120	>400-	>1000
+3	6	30	120	+400	1000	+2000
±0.1	±0.1	±0.2	±0.3	±0.5	±0.8	±1.2
					Undimensioned radii	R 0.5
					Date	Name
 www.opto-engineering.com			Designed	27/02/07	A. Bnà	Drawing No.
			Draw	27/02/07	A. Bnà	
			Checked	X	C. Sedazzari	Sheet
OPTO ENGINEERING S.r.l. - 46100 Mantova Italy - Via Cremona, 28 - Tel/fax +39 0376 229585 - e-mail: info@opto-engineering.it - http://www.opto-engineering.com						

