

LT CL 48

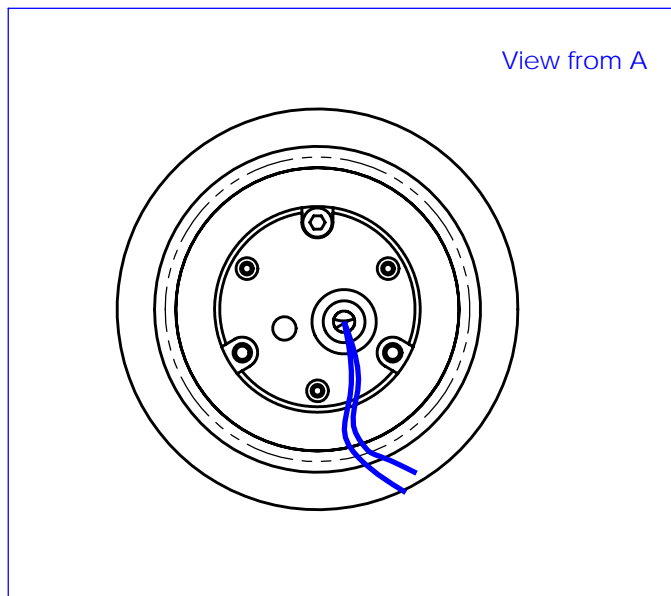
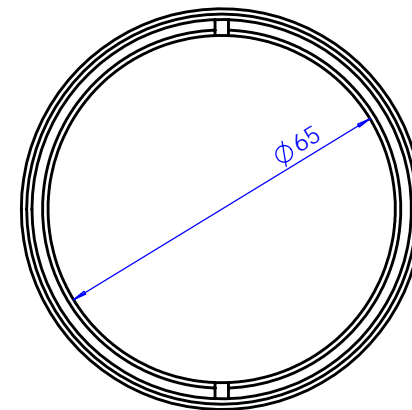
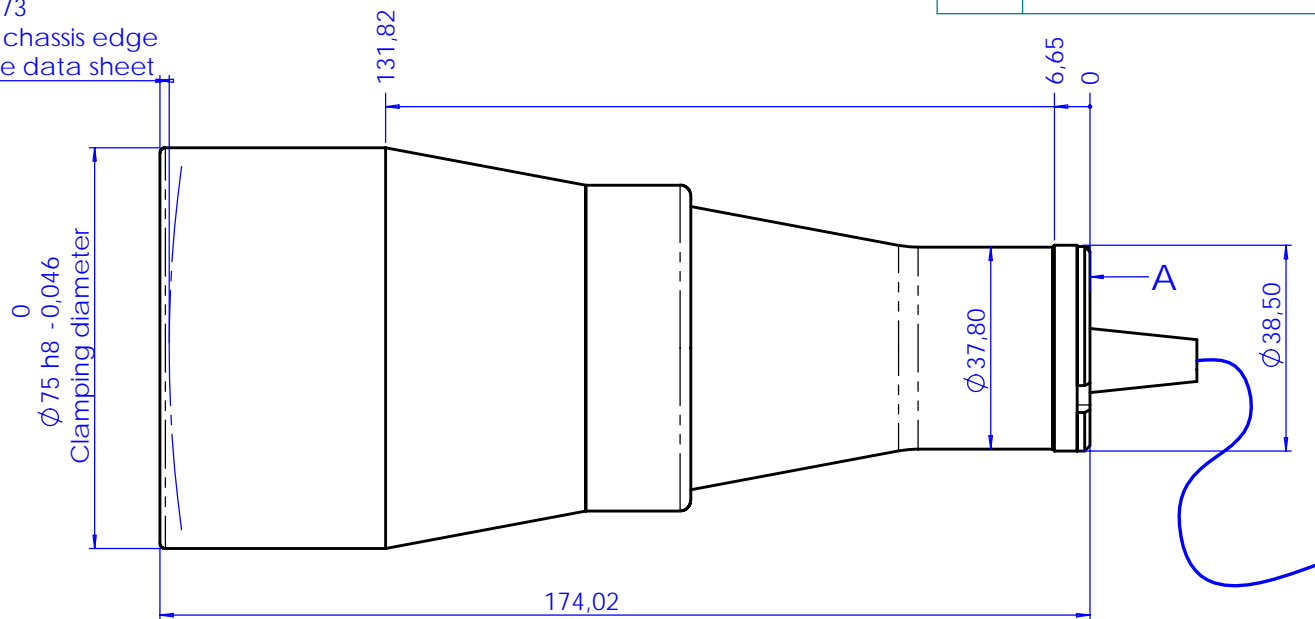
Collimated Illuminator



part number	LT CL 48/X	
Beam Diameter	(mm)	60,0
Available Colours		
/R (red)		x
/G (green)		x
/B (blue)		x
/W (white)		x
/IR890 (IR, peak 890 nm)		x
/IR940 (IR, peak 940 nm)		x
Length	(mm)	174,0
Outer Diameter	(mm)	75,0
Compatible Telecentric Lenses		
	TC 13	n.a.
	TC 12	48
	TC 23	48
	TC 4M	48
	TC 2M	48
	TC16M	48
DEVICE POWER RATINGS		
DC Voltage	(volt)	12 to 24
Power Consumption	(watt)	< 2 watt
LED DIRECT DRIVE RATINGS		
for /W, /B and /G versions		
Max Forward DC Voltage	(volt)	3,5
Max Forward Current	(mA)	350
for /R version		
Max Forward DC Voltage	(volt)	2,5
Max Forward Current	(mA)	350
for /IR890 and /IR940 versions		
Max Forward DC Voltage	(volt)	1,6
Max Forward Current	(mA)	500 mA

Rev No.	Description	Date	Name
A	First light	06/02/07	A.Vismara
B	New LED holder	10/05/08	A.Vismara

1,73
From lens to chassis edge
W.D. - see the data sheet



Material	N.A.		Mass	0.60 kg	Scale	1:1	
Surface treatment	N.A.		Project-Prod.Item/Instrument	LT CL 48			
Geometrical tolerance (ISO 2768-2)		Class	K	Undimensioned bevels	1x45°	Description Assembly	
Linear tolerance (ISO 2768-2)		Class	m	Undimensioned radii	R 0.5		
0.5 +3	>3- 6	>6- 30	>30- 120	>120 +400	>400- 1000	>1000 +2000	>2000 +4000
±0.1	±0.1	±0.2	±0.3	±0.5	±0.8	±1.2	±2
www.opto-engineering.com		Date		Name		Drawing No.	Sheet
		Designed	10/05/08	A.Vismara		01280-0-B	1/1
		Draw	10/05/08	A.Vismara			
		Checked	X	C. Sedazzari			
OPTO ENGINEERING S.r.l. - 46100 Mantova Italy - Via Cremona, 29/2 - Tel. +39 0376 263525 - e-mai: info@opto-engineering.com - http://www.opto-engineering.com							