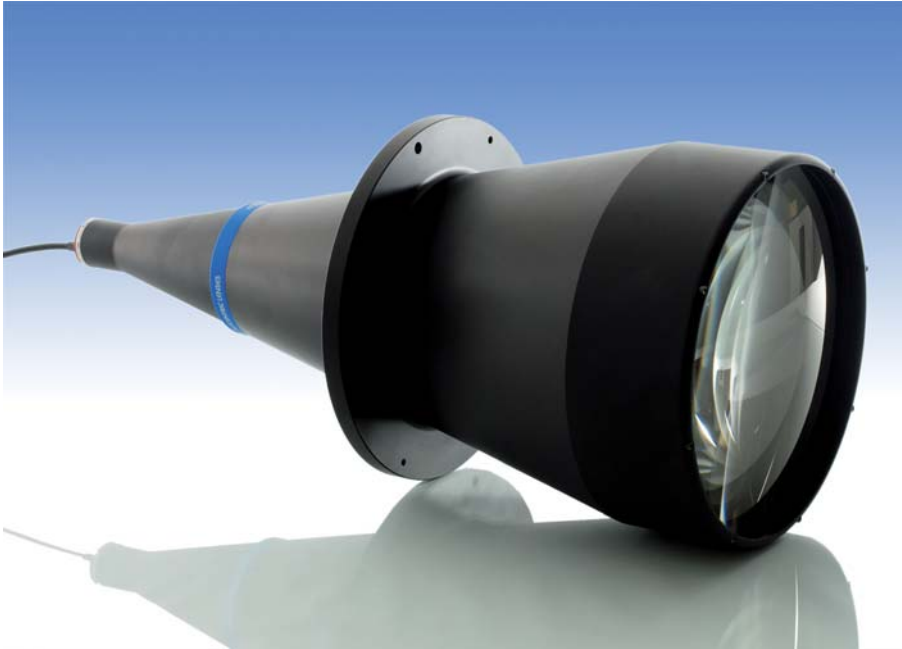


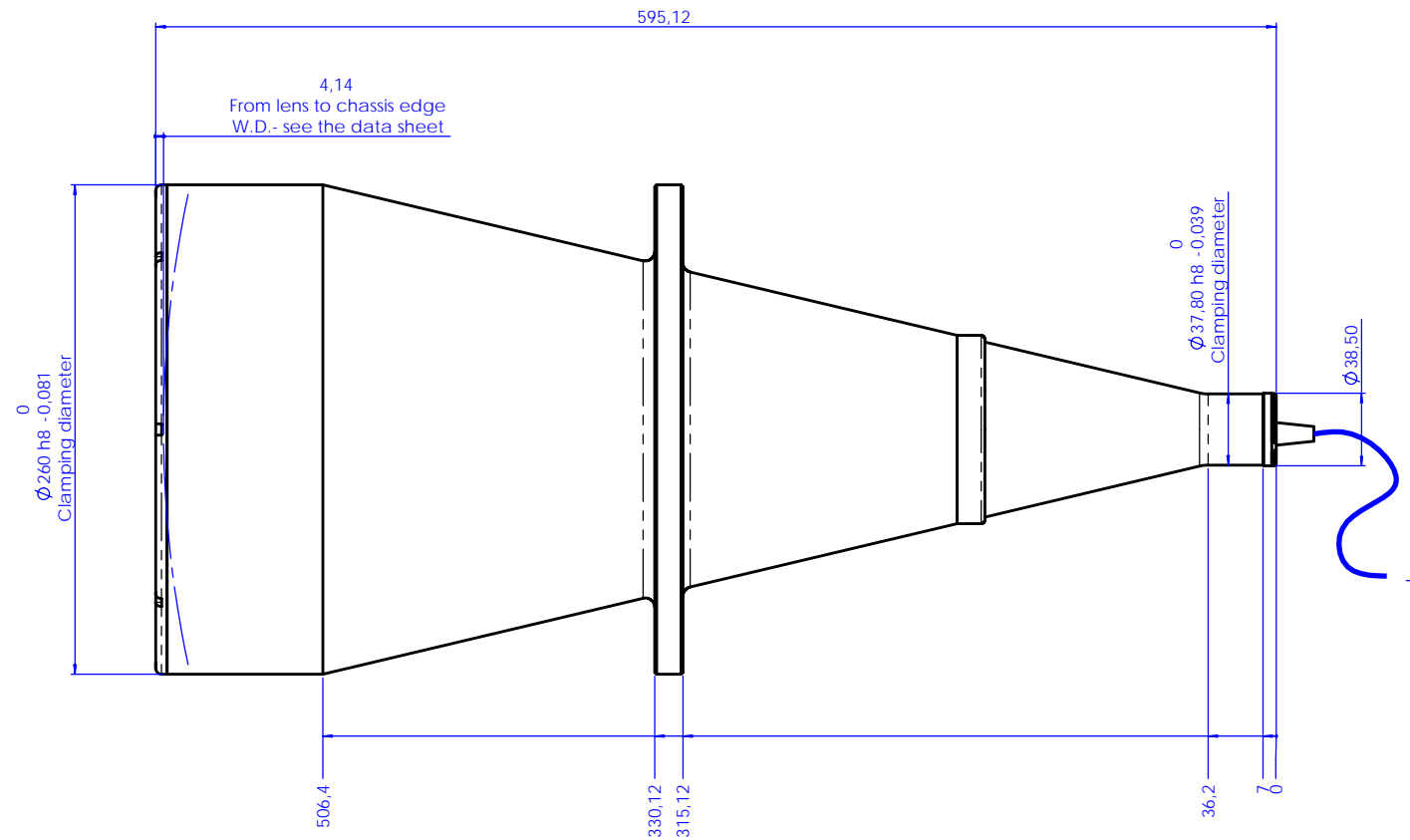
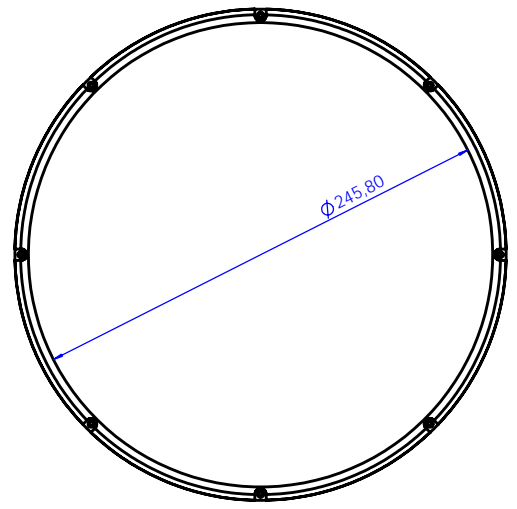
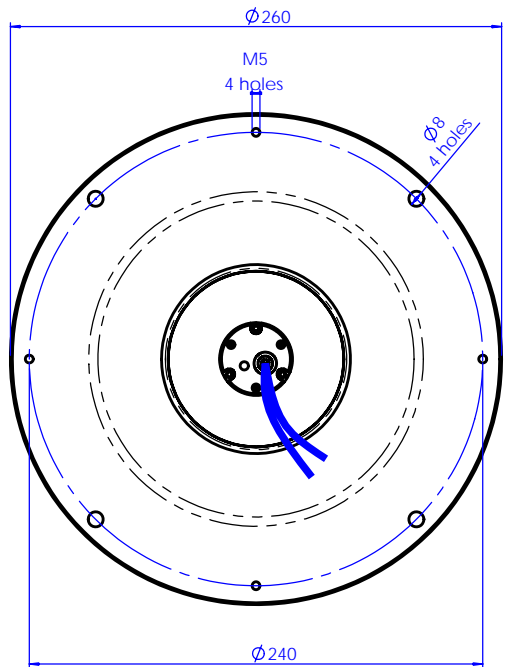
LT CL 192

Collimated Illuminator



part number	LT CL 192/X	
Beam Diameter	(mm)	250,0
Available Colours		
/R (red)		x
/G (green)		x
/B (blue)		
/W (white)		
/IR890 (IR, peak 890 nm)		
/IR940 (IR, peak 940 nm)		
Length	(mm)	595,1
Outer Diameter	(mm)	260,0
Compatible Telecentric Lenses		
	TC 13	n.a.
	TC 12	192
	TC 23	172, 192
	TC 4M	172, 192
	TC 2M	192
	TC16M	n.a.
DEVICE POWER RATINGS		
DC Voltage	(volt)	12 to 24
Power Consumption	(watt)	< 2 watt
LED DIRECT DRIVE RATINGS		
for /W, /B and /G versions		
Max Forward DC Voltage	(volt)	3,5
Max Forward Current	(mA)	350
for /R version		
Max Forward DC Voltage	(volt)	2,5
Max Forward Current	(mA)	350
for /IR890 and /IR940 versions		
Max Forward DC Voltage	(volt)	1,6
Max Forward Current	(mA)	500 mA

Rev No.	Description	Date	Name
A	First light	06/02/07	A.Vismara
B	New LED holder	10/05/08	A.Vismara



Material	N.A.	Mass	10.6 kg	Scale	1:2
Surface treatment	N.A.	Project-Prod.Item/Instrument	LT CL 192		
Geometrical tolerance (ISO 2768-2)		Class	K	Undimensioned Bevels	1x45°
Linear tolerance (ISO 2768-2)		Class	m	Undimensioned Radii	R 0.5
0.5	>3-	>6-	>30-	>120	>400-
-3	6	30	120	400	1000
±0.1	±0.1	±0.2	±0.3	±0.5	±0.8
					±1.2
Date		Name		Drawing No.	
Designed 10/05/08		A.Vismara		01283-0-B	
Draw 10/05/08		A.Vismara		Sheet 1/1	
Checked X		C.Sedazzari		Reproduction forbidden without specific authorization	
www.opto-engineering.com					
OPTO ENGINEERING S.r.l. - 46100 Mantova Italy - Via Cremona, 29/2 - Tel. +39 0376 263525 - e-mail. info@opto-engineering.com - http://www.opto-engineering.com					