

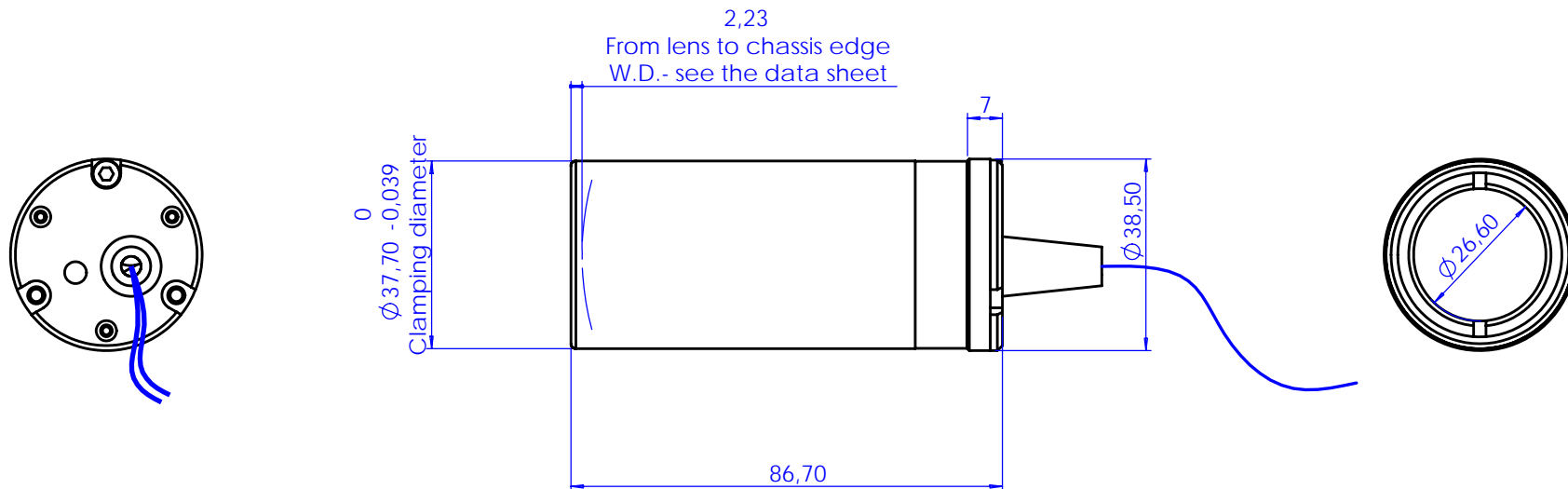
LT CL 16

Collimated Illuminator



part number		LT CL 16
Beam Diameter	(mm)	20,0
Available Colours		
/R (red)		x
/G (green)		x
/B (blue)		x
/W (white)		x
/IR890 (IR, peak 890 nm)		x
/IR940 (IR, peak 940 nm)		x
Length	(mm)	86,7
Outer Diameter	(mm)	38,0
Compatible Telecentric Lenses		
	TC 13	n.a.
	TC 12	16
	TC 23	16
	TC 4M	16
	TC 2M	16
	TC16M	n.a.
DEVICE POWER RATINGS		
DC Voltage	(volt)	12 to 24
Power Consumption	(watt)	< 2 watt
LED DIRECT DRIVE RATINGS		
for /W, /B and /G versions		
Max Forward DC Voltage	(volt)	3,5
Max Forward Current	(mA)	350
for /R version		
Max Forward DC Voltage	(volt)	2,5
Max Forward Current	(mA)	350
for /IR890 and /IR940 versions		
Max Forward DC Voltage	(volt)	1,6
Max Forward Current	(mA)	500 mA

Rev No.	Description	Date	Name
D	First light	20/02/06	A.Vismara
E	New LED holder	10/05/08	A.Vismara



Material	N.A.			Mass	0.19 kg	Scale	1:1
Surface treatment	N.A.			Project-Prod.Item/Instrument	LT CL 16		
Geometrical tolerance (ISO 2768-2)			Class	K	Undimensioned bevels	1x45°	Description
Linear tolerance (ISO 2768-2)			Class	m			
0.5	>3-	>6-	>30+	>120	>400+	>1000	>2000
±0.1	±0.1	±0.2	±0.3	±0.5	±0.8	±1.2	±2
±3	±6	±30	±120	±400	±1000	±2000	±4000
www.opto-engineering.com			Date	Name		Drawing No.	Sheet
			Designed	10/05/08	A.Vismara	01271-0-E	1/1
			Draw	10/05/08	A.Vismara		
			Checked	X	C. Sedazzari		
OPTO ENGINEERING S.r.l. - 46100 Mantova Italy - Via Cremona, 29/2 - Tel. +39 0376 263525 - e-mai: info@opto-engineering.com - http://www.opto-engineering.com							