

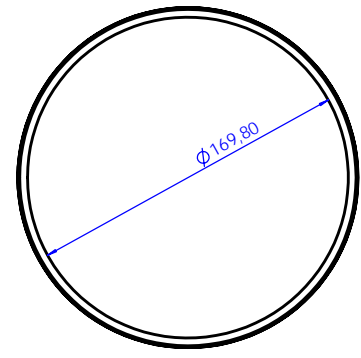
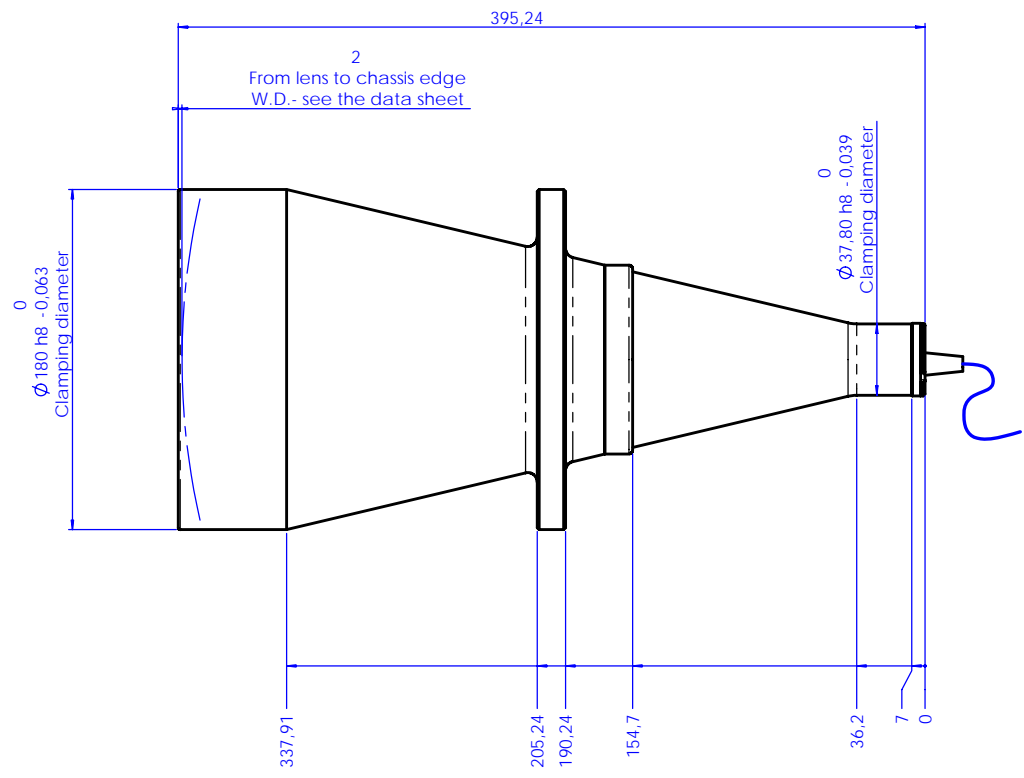
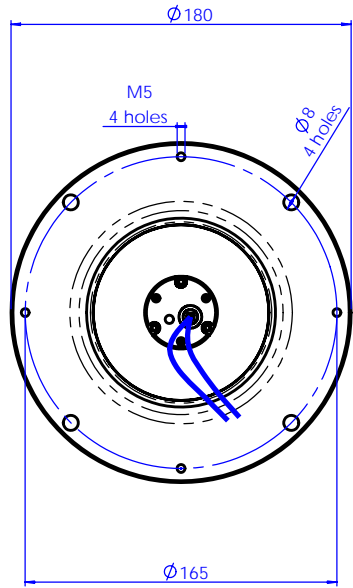
LT CL 120

Collimated Illuminator



part number	LT CL 120/X	
Beam Diameter	(mm)	150,0
Available Colours		
/R (red)		x
/G (green)		x
/B (blue)		
/W (white)		x
/IR890 (IR, peak 890 nm)		
/IR940 (IR, peak 940 nm)		
Length	(mm)	395,2
Outer Diameter	(mm)	180,0
Compatible Telecentric Lenses		
	TC 13	n.a.
	TC 12	120
	TC 23	110, 120
	TC 4M	110, 120
	TC 2M	120
	TC16M	120
DEVICE POWER RATINGS		
DC Voltage	(volt)	12 to 24
Power Consumption	(watt)	< 2 watt
LED DIRECT DRIVE RATINGS		
for /W, /B and /G versions		
Max Forward DC Voltage	(volt)	3,5
Max Forward Current	(mA)	350
for /R version		
Max Forward DC Voltage	(volt)	2,5
Max Forward Current	(mA)	350
for /IR890 and /IR940 versions		
Max Forward DC Voltage	(volt)	1,6
Max Forward Current	(mA)	500 mA

Rev No.	Description	Date	Name
A	First light	06/02/07	A.Vismara
B	New LED holder	10/05/08	A.Vismara



Material	N.A.	Mass	4.9 kg	Scale	1:2
Surface treatment	N.A.	Project-Prod.Item	LT CL 120		
Geometrical tolerance (ISO 2768-2)		Class	K	Undimensioned Bevels	1x45°
Linear tolerance (ISO 2768-2)		Class	m	Undimensioned radii	R 0.5
0.5	>3-	>6-	>30-	>120	>400-
-3	6	30	120	400	1000
±0.1	±0.1	±0.2	±0.3	±0.5	±0.8
					±1.2
www.opto-engineering.com		Date	Name	Drawing No.	Sheet
Designed		10/05/08	A.Vismara	01281-0-B	1/1
Draw		10/05/08	A.Vismara		
Checked		x	C.Sedazzari		
Reproduction forbidden without specific authorization					
OPTO ENGINEERING S.r.l. - 46100 Mantova Italy - Via Cremona, 29/2 - Tel. +39 0376 263525 - e-mail: info@opto-engineering.com - http://www.opto-engineering.com					