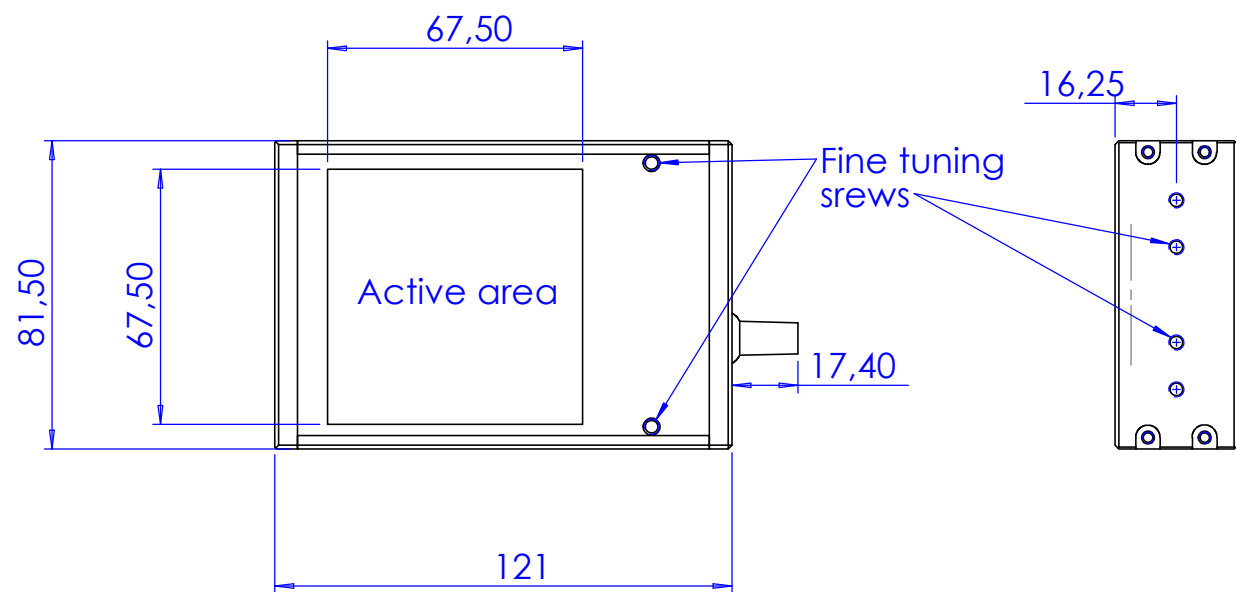
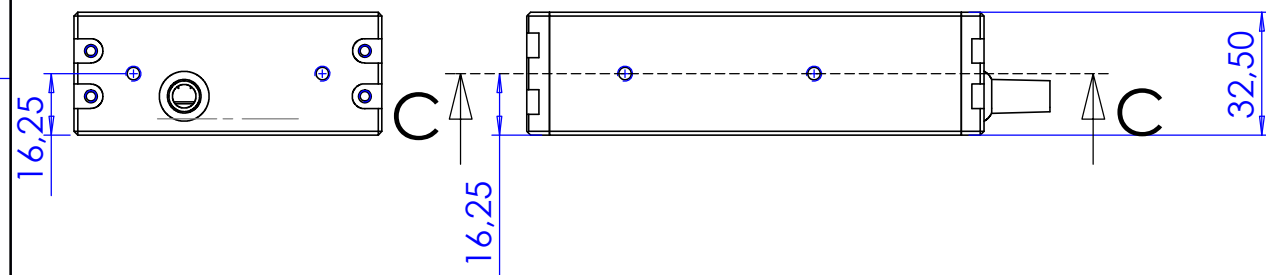
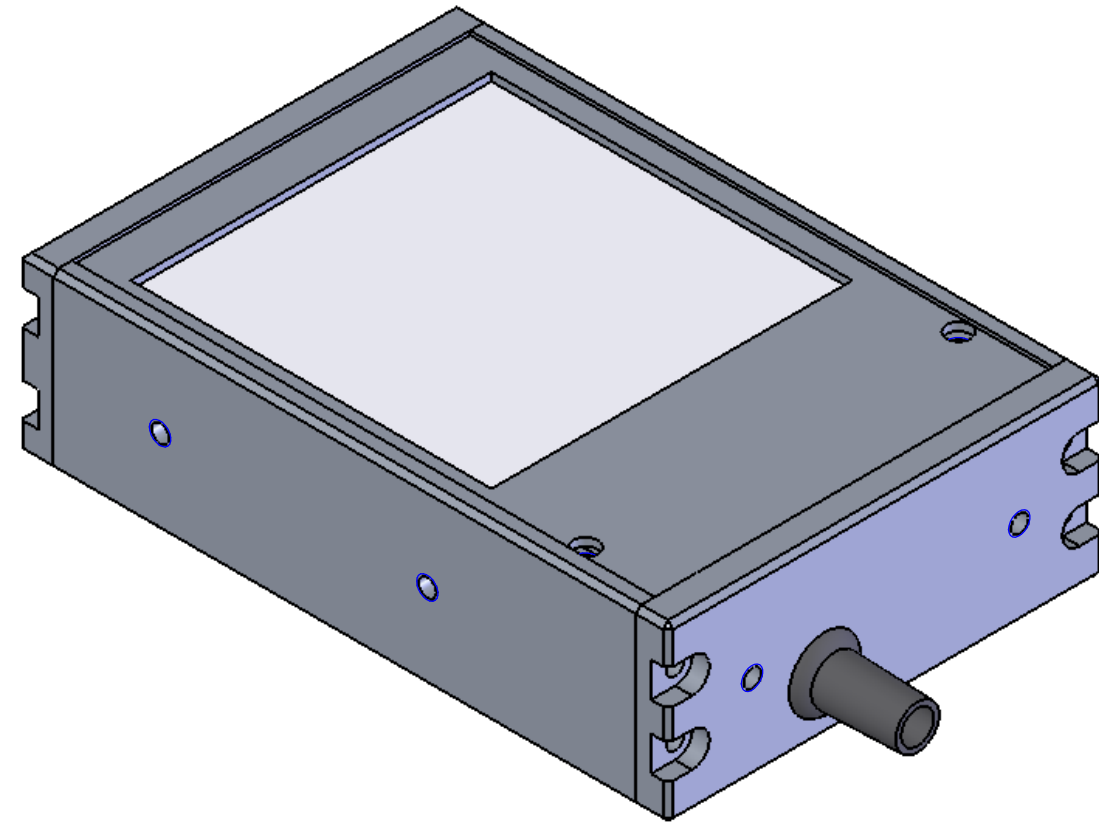
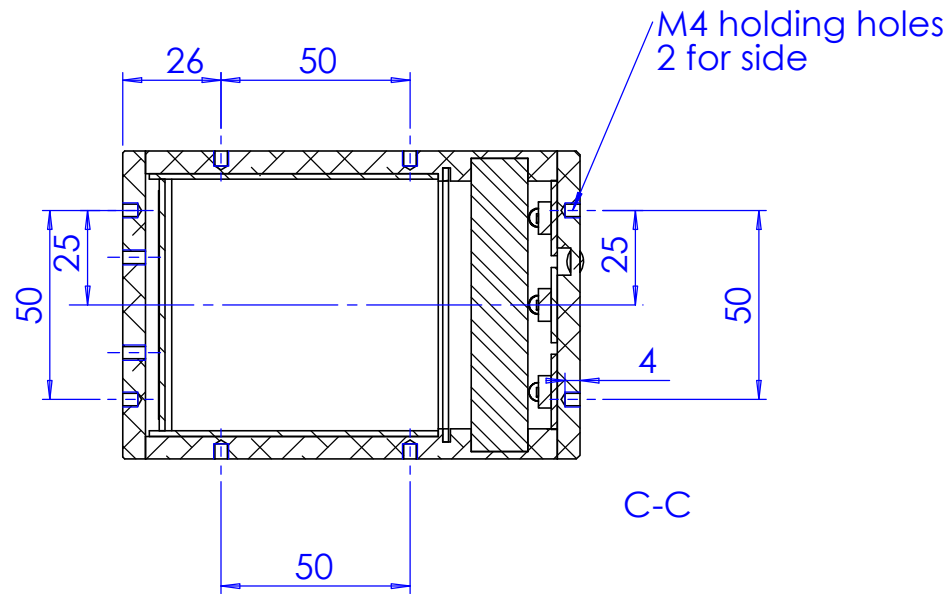


Rev No.	Description	Date	Name
A	New Layout	22/04/08	N. Santini
B	Redesign	01/12/08	N. Santini



Material	N.A.		Mass	310 g	Scale	1:2
Surface treatment	N.A.		Project-Prod.item/Instrument		LTBK48	
Geometrical tolerance (ISO 2768-2)			Class	K	Undimensioned bevels	
Linear tolerance (ISO 2768-2)			Class	m	1x45°	
0,5	>3÷	>6÷	>30÷	>120	>400÷	>1000
±3	6	30	120	±400	1000	>2000
±0,1	±0,1	±0,2	±0,3	±0,5	±0,8	±2000
			±0,5	±0,8	±1,2	±2
					Undimensioned radii	
					R 0.5	
Description			Date		Name	
Layout			23/04/08		N. Santini	
Drawing No.			Draw		N. Santini	
18978-0-B			Checked		X	
Sheet			Date		Name	
1/1			23/04/08		N. Santini	
Reproduction forbidden without specific authorization			C.Sedazzari			