

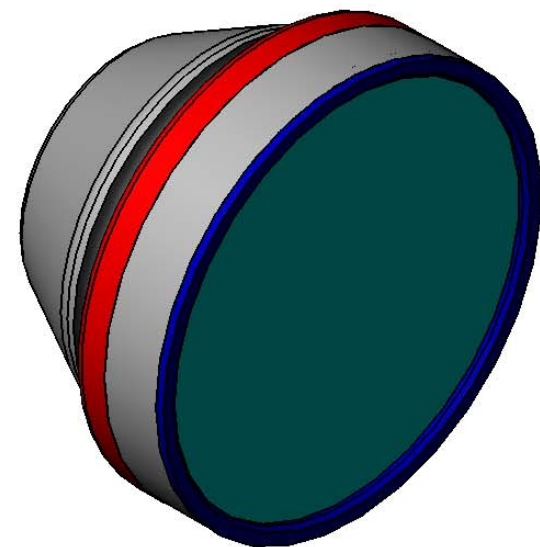
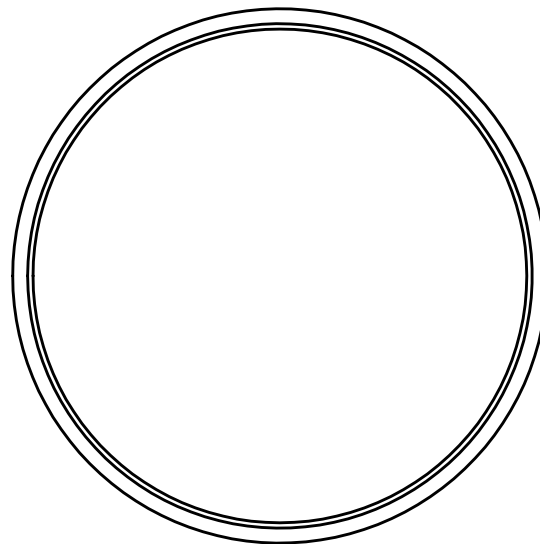
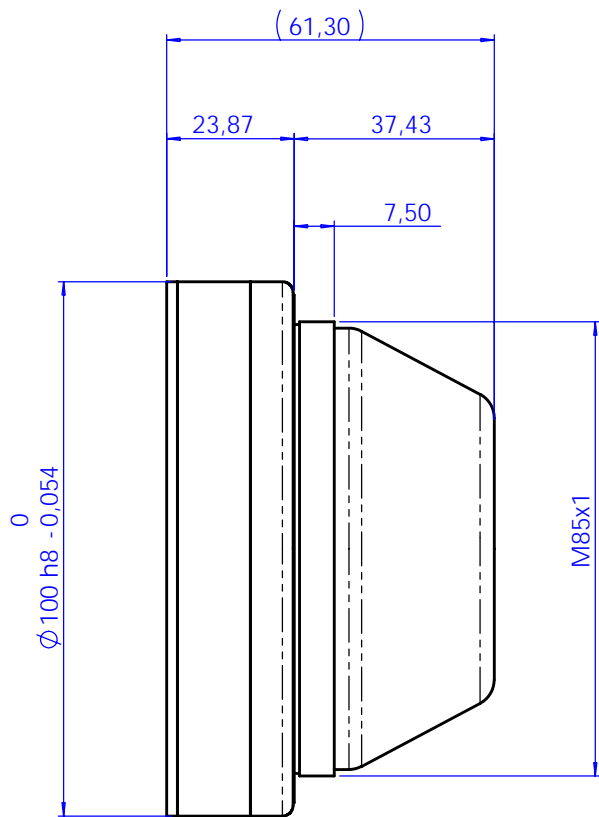
FT1064-0163

163mm, 1064 nm
Fiber Laser F-Theta Lens



part number		FT1064-0163
Wavelength Range	(nm)	1064 (980 ..1080)
Focal Length	(mm)	163,0
Back Focal Length	(mm)	190,3
Flange Focal Length	(mm)	214,2
Diagonal Scan Angle	(deg)	57,0
Diagonal Scan Field	(mm)	162,2
Maximum Scan Area	(mm ²)	114,7 x 114,7
Entrance Beam Diameter	(mm)	15
Mirrors Distance (m1)	(mm)	16,0
2nd mirror Distance (m2)	(mm)	12,5
1/e² Spot Radius	(micron)	12
Mounting Thread		M85x1
Length	(mm)	61,3
Outer Diameter	(mm)	100,0
Protective Window		Yes

Rev No.	Description	Date	Name
A	First light	13/07/08	A.Vismara



Material	N.A.			Mass	580 g	Scale	1:1
Surface treatment	N.A.			Project-Prod.Item/Instrument F-theta			
Geometrical tolerance (ISO 2768-2)			Class	K	Undimensioned bevels		
Linear tolerance (ISO 2768-2)			Class	m	Undimensioned radii		
0.5	>3-	>6-	>30-	>120	>400-	>1000	>2000
+3	6	30	120	+400	1000	+2000	+4000
±0.1	±0.1	±0.2	±0.3	±0.5	±0.8	±1.2	±2
Date				Name			
Designed		13/07/08	A.Vismara		Drawing No.		
Draw		13/07/08	A.Vismara		DD00011-A		
Checked		X	C. Sedazzari		Sheet		
				1/1			
<i>Reproduction forbidden without specific authorization</i>							

